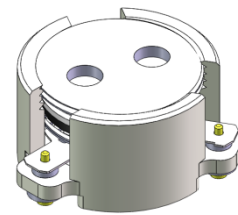




DP1041C

4700MHz to 5100MHz Single-Junction Surface Mount Circulator

REV.	DESCRIPTION	REVISOR	DATE	APPROVED
A	Creating datasheet	TZ.Wang	2020/12/22	DP.Zhang

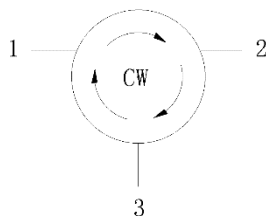


Applications:

- Wireless Infrastructure
- Power Amplifier

Features:

- Operating frequency range:4700MHz to 5100MHz
- Operating temperature range: -10°C to +90°C
- Storage temperature range: -55°C to +125°C
- Small surface-mount package delivered on T&R
- BeO free&RoHS compliant



Block Diagram



Electrical Specifications:

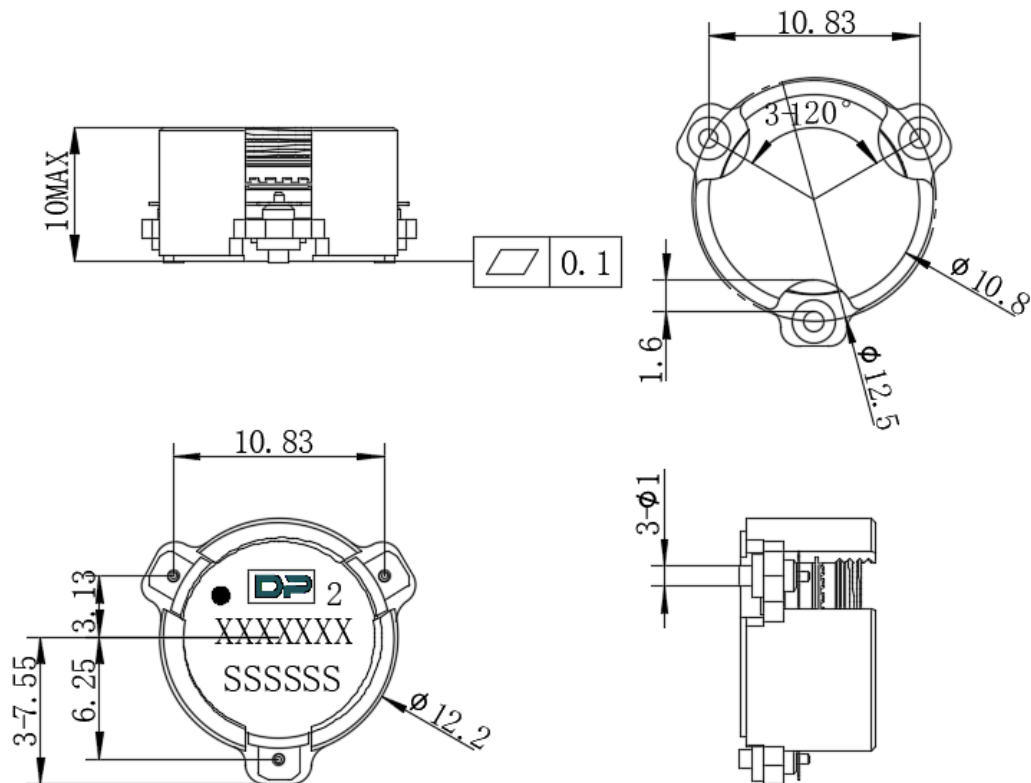
ITEM	SPECIFICATION	
Frequency	4700~5100	MHz
Direction	CW	
Impedance	Typ: 50	Ω
Insertion Loss (Max.)	0.4@4800~5000MHz 0.8@4700~5100MHz	dB
Isolation (Min.)	20	dB
Return Loss ((S11/S22/S33),Min.)	20/20/20	dB
3rd IMD (Max.)	-52@2x1W, spacing 5MHz	dBc
Power FWD/PEAK	1/8	W

Notes:

1. Exposure to maximum rating conditions for extended periods may reduce device reliability. There is no damage to device with only one parameter set at the limit and all other parameters set at or below their nominal value. Exceeding any of the limits listed here may result in permanent damage to the device.
2. Performance is guaranteed under the conditions listed in this table and over the operating temperature range.
3. Performance will not degrade by > 10% (Insertion loss > 20%) with an operating temperature of up to 130 °C.



Mechanical Specifications:



Unit: Millimeters

Notes:

1. Tolerance $\pm 0.2\text{mm}$ unless otherwise specified.
2. Co-planarity Specification: 0.1mm maximum.
3. Part Number, Lot Code, and Port Designation are printed on the top side of device.
4. Part Number format shall be XXXXXXXX
5. Serial Number format shall be SSSSSS
6. The black dot on the label represents the input port.