

Travelling Merchant: _____

DATASHEET

Standard: **V756-B311-61.44MHz**

P/N: _____

Plot			The Label
Drew	Audited	Approved	Stamp, please! Thanks!
Date: 2017.07.19			

Guangdong Dapu Telecom Technology Co.,Ltd

Bldg13-16,.N.Ind.Zone,SSL Industry Park, Dongguan City, Guangdong Province, China

TEL: 0086-0769-88010888 FAX: 0086-0769-81800098



1. Electrical Parameters

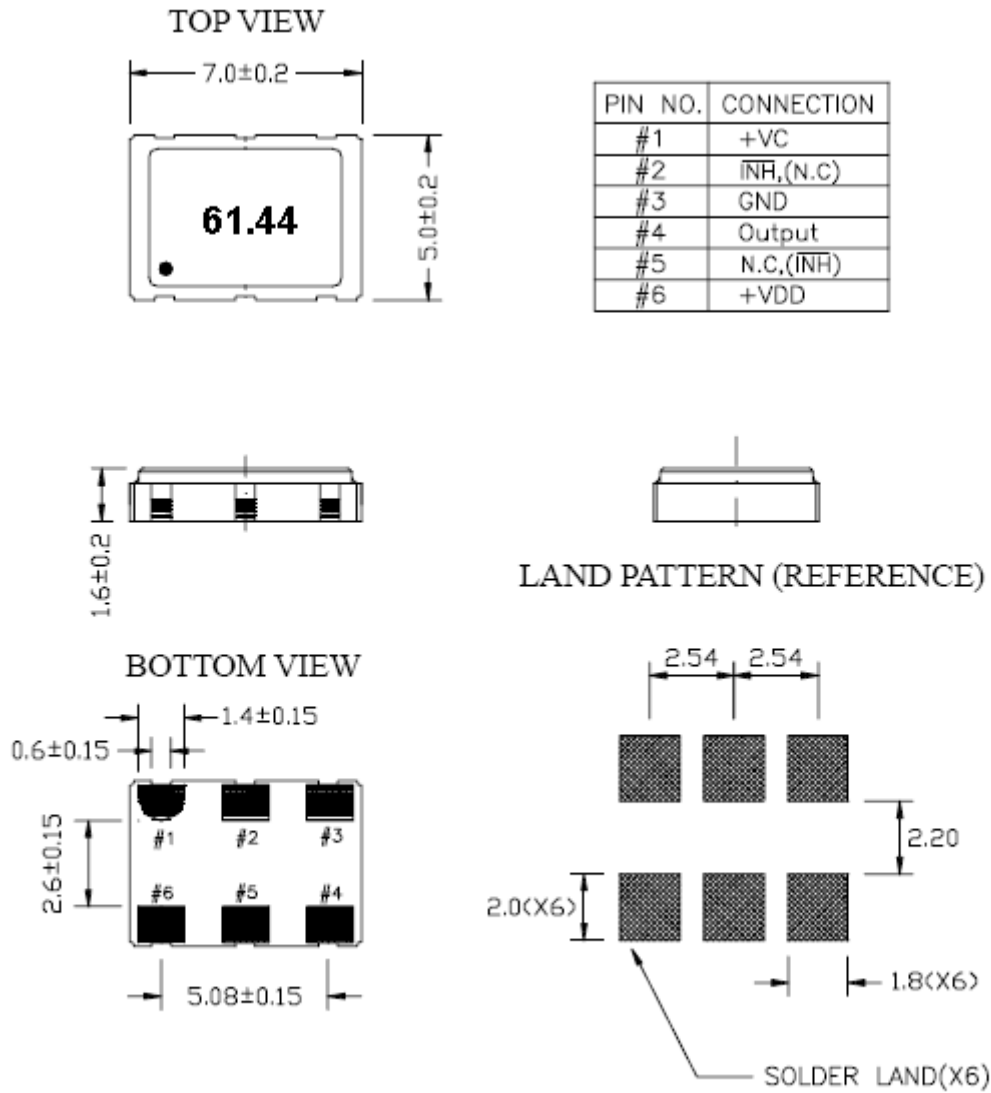
MODEL: V756-B311-61.44MHz						
Item	Description	Parameters			Unit	Test Condition
		Min.	Typ.	Max.		
Output	Frequency	61.44			MHz	
	Output Waveform	HCMOS				
	Output Low Voltage			0.4	V	$V_{cc}=3.3V, O_{load}=15\text{ pF}$
	Output High Voltage	2.7			V	$V_{cc}=3.3V, O_{load}=15\text{ pF}$
	Duty Cycle	45	50	55	%	@1.65V
	Rise / Fall Time (10%~90%)			6	ns	@25°C
	Load	15			pF	
	Start Time			10	ms	@3.135V
Frequency Stabilities	Frequency Stability	-30		+30	$\times 10^{-6}$	Include Freq. Tolerance, Temp, Supply voltage, Load.
	Initial Frequency Tolerance	-10		+16	$\times 10^{-6}$	Refer to Center Frequency @25±3°C.
	Frequency Tolerance vs. Supply Voltage	-3		+3	$\times 10^{-6}$	measurement referenced to frequency observed $T_A=25^\circ\text{C}$, V_{cc} varied from 3.135V to 3.465V, $V_c=1.65V$ and $O_{Load}=15\text{pF}$.
	Frequency Tolerance vs. Load	-1		+1	$\times 10^{-6}$	10% load change measurement referenced to frequency observed with $T_A=25^\circ\text{C}$, $V_{cc}=3.3V, V_c=1.65V, O_{Load}=15\text{pF}$.
	Aging Tolerance 1 Year	-3		+3	$\times 10^{-6}$	$T_A=25^\circ\text{C} \pm 5^\circ\text{C}$, $V_{cc}=3.3V, V_c=1.65V$
Power Supply	Current Consumption			8	mA	@25°C, $V_{cc}=3.3V, V_c=1.65V, O_{load}=15\text{pF}$.
	Supply Voltage	3.135	3.3	3.465	V	
Absolute Maximum Ratings	Supply Voltage	-0.6 to 6			V	
	Control Voltage	-0.6 to 6			V	



Voltage Control Characteristics	Frequency Tuning Range	-150		-60	$\times 10^{-6}$	$V_c=0V$. measurement referenced to $V_c=1.65V$
		-10		+16	$\times 10^{-6}$	$V_c=1.65V$. measurement referenced to exactly 61.44MHz
		+60		+150	$\times 10^{-6}$	$V_c=3.3V$. measurement referenced to $V_c=1.65V$
	Linearity			10	%	
	Slope	Positive				
Phase Noise	Phase Noise		-71	-60	dBc/Hz	10Hz
			-104	-95		100Hz
			-130	-125		1KHz
			-144	-140		10KHz
			-155	-150		100KHz
Environmental Conditions	Operable Temperature	-40		+85	$^{\circ}C$	
	Storage Temperature	-40		+85	$^{\circ}C$	
	ESD Level	Human Body Model, class2: 2000V to 4000V; ANSI/ESDA/JEDEC JS-001-2010.				
		Machine Model, class B: 200V to 400V; ANSI/ESDA/JEDEC JS-001-2010.				
	Moisture Sensitivity Level	Level 2.				
	Vibration	Test Condition: 0.75mm; acceleration:10g;10Hz~2000Hz, one cycle per 30 min, test 2 hour. (3 times for each 3 directions X , Y , Z) .IEC 68-2-06 Test Fc.				
Shock	100g; 6ms; half sine wave (3 times for each 3 directions X , Y , Z),IEC 68-2-27 Test Ea/Severity 50A.					



2. Mechanical Structure(mm)



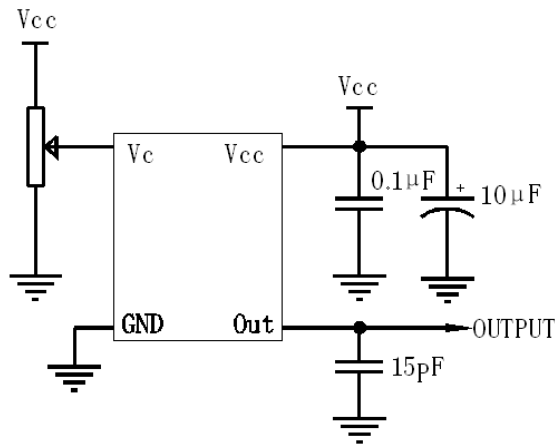
Unit: mm

Note1: Tolerance ± 0.1 mm without mark

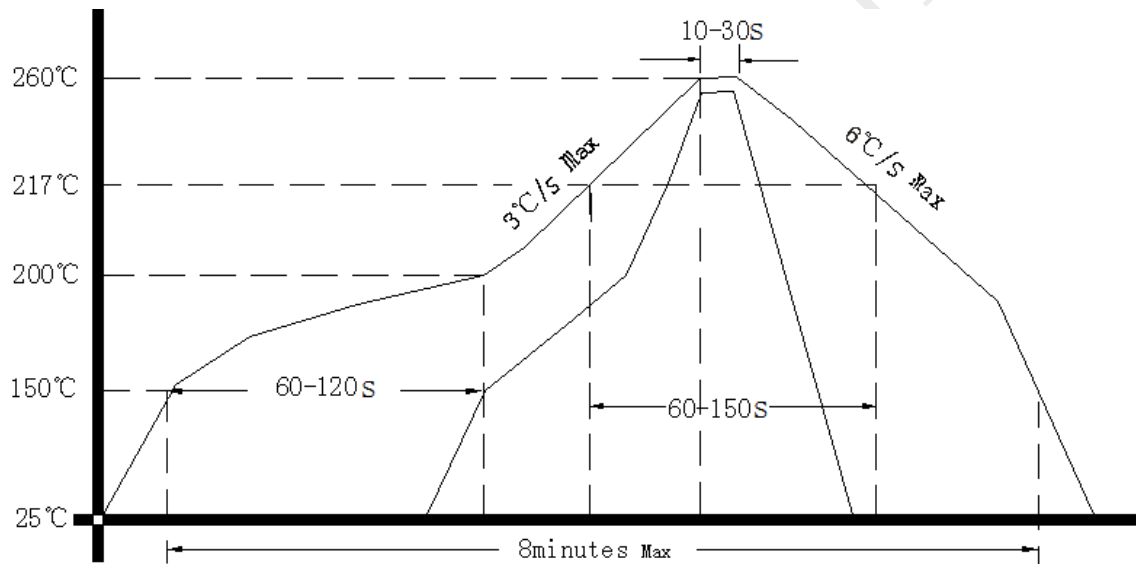
Note2: Referential weight 0.3g



3. Test circuit



4. Reflow Soldering Curve (RoHS)



5. Package: Tape & Reel (mm)

