

Customer Code : _____

DATASHEET

DAPU P/N : V936-C312-100.00MHz

Customer P/N: _____

DAPU			Customer Approval
Drew	Audited	Approved	Stamp, please! Thanks!
Date: 2017.08.09			

Guangdong Dapu Telecom Technology Co.,Ltd

Bldg13-16,.N.Ind.Zone,SSL Industry Park, Dongguan City, Guangdong Province, China

TEL: 0086-0769-88010888 FAX: 0086-0769-81800098



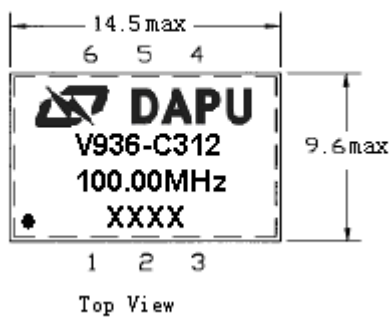
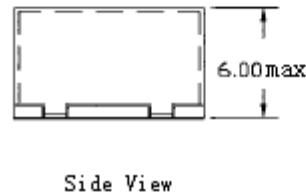
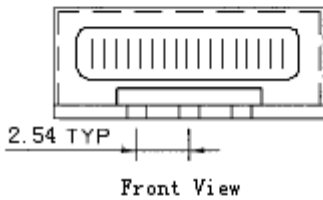
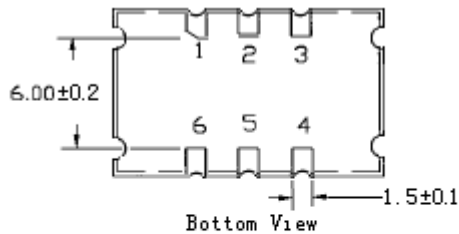
1、 Electrical Parameters

Parameters	SYM	Electrical Spec.				Notes
		Min.	Typ.	Max.	Units	
Frequency Stabilities						
Nominal Frequency	F _N	100.00			MHz	
Overall Stability		-50		+50	× 10 ⁻⁶	Frequency stability includes frequency tolerance@25°C, frequency stability vs. temperature range, voltage variance, load variance and first year aging.
RF Output						
Output Waveform		HCMOS				
Load	I _{OUT}	15			pF	
Output Voltage High	V _{OH}	90%vdd			V	
Output Voltage Low	V _{OL}			10%vdd	V	
Rise / Fall Time	T _r / T _f			2	ns	10%-90%
Symmetry	SYM	45	50	55	%	@50%
Start-up Time	T _S			5	ms	
Supply Voltage						
Supply Voltage	V _{CC}	2.97	3.3	3.63	V	
Input Current	I _{CC}			40	mA	
Control Voltage						
Control Voltage Rang	V _C	0.3		3.0	V	V _C =1.65V
Frequency Tuning Range	PR	±100			× 10 ⁻⁶	
Linearity	Lin			10	%	
Slope		Positive				
Enable Control		Yes				Pad 2
Modulation Bandwidth		15			KHz	
VC Input Impedance		10			MΩ	
Output Enable	V _{IH}	70%vdd or Floating			V	Pin 2 Tri-state Enable High
Output Disable	V _{IL}			30%vdd	V	
Phase Noise						
JitterJitter (Pk-Pk)				40	ps	
Phase Noise			-95		dBc/Hz	100Hz
			-120			1KHz
			-135			10KHz
			-148			100KHz



Environmental Conditions						
Operating Temperature	T _{OP}	-40	~	85	°C	
Storage Temperature	T _{ST}	-55	~	125	°C	
ESD Level	Human Body Model, class2: 2000V to 4000V; ANSI/ESDA/JEDEC JS-001-2010.					
	Machine Model, class B: 200V to 400V; ANSI/ESDA/JEDEC JS-001-2010.					
Moisture Sensitivity Level	Level 2.					
Vibration	Test Condition: 0.75mm; acceleration:10g;10Hz~2000Hz, one cycle per 30 min, test 2 hour. (3 times for each 3 directions X , Y , Z) .IEC 68-2-06 Test Fc.					
Shock	100g; 6ms; half sine wave (3 times for each 3 directions X , Y , Z),IEC 68-2-27 Test Ea/Severity 50A.					

2、 Mechanical Structure(mm)



PIN FUNCTION

PIN	NOTATION	FUNCTION
1	VC	Control Voltage
2	E/D	Output Enable/Disable
3	GND	GND
4	OUTPUT	RF Output
5	NC	Not Connect
6	VCC	Supply Voltage

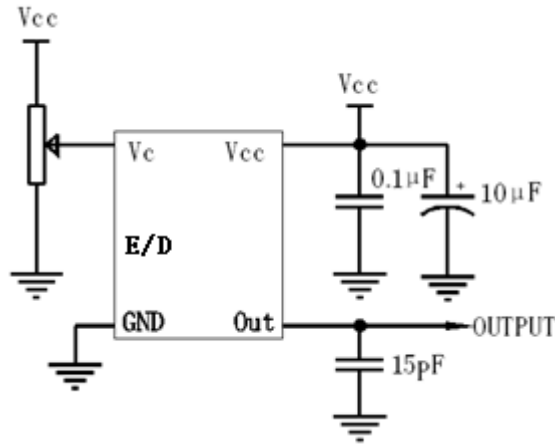
Note1: Tolerance ± 0.1 mm without mark

Note2: Referential weight 1.4g

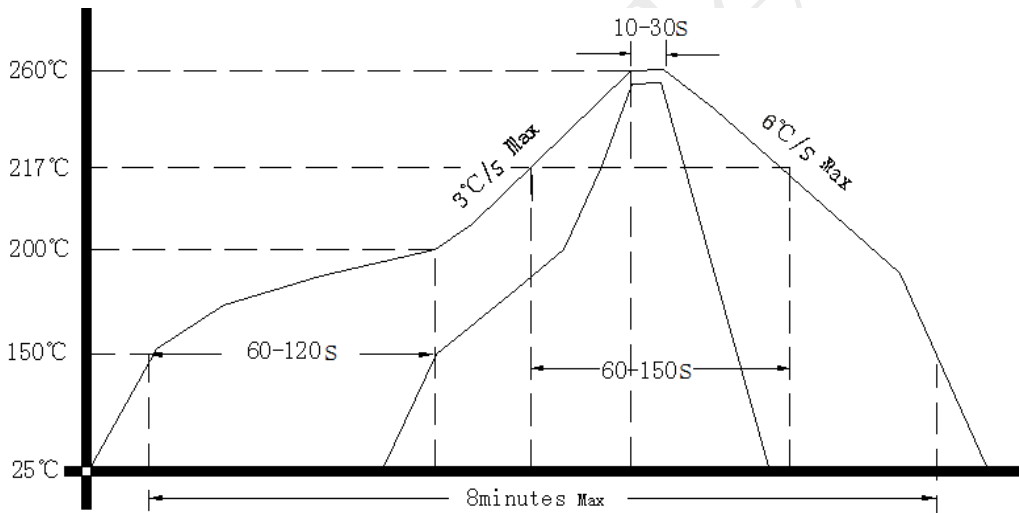
Note3: The first two xx representative: week
After two xx representative: year



3、 Test circuit



4、 Reflow Soldering Curve (RoHS)



5、 Package: Tape & Reel (mm)

