

Travelling Merchant: \_\_\_\_\_

# DATASHEET

Standard:     **R55-D322-10.00MHz**    

P/N: \_\_\_\_\_

Plot			The Label
Drew	Audited	Approved	Stamp, please! Thanks!
Date: 2022.06.12			

## Guangdong Dapu Telecom Technology Co.,Ltd

Building 5, No.24, Industrial East Road, Songshanhu Park, Dongguan, Guangdong, P.R. China

TEL: 0086-0769-88010888 FAX: 0086-0769-81800098



**Table of amendment**

Version	Revision contents	Prepared by	Revised date
1.0	The first issued	<i>Amway</i>	2022.03.11
1.1	Add "Phase Noise"	<i>Amway</i>	2022.06.12



## 1. Electrical Parameters

**Table 1:**

Item	Description	Min.	Typ.	Max.	Unit	Test Condition
1 PPS Output	Pulse Width	1			ms	
	Rise/Fall Time			10	ns	
	Accuracy	-100		+100	ns	After 24 hours of synchronization, the frequency accuracy $\leq 1 \times 10^{-12}$ , @ 24hours.
	24 hours Holdover			3	$\mu$ s	$\Delta T \leq 2^\circ\text{C}$ , 1PPS jitter 20ns ,24 hours holdover after locking 24hours;
RF Output	Nominal Frequency	10.00			MHz	
	Format	CMOS				
	Level		3.3		V	
	Frequency Accuracy	-0.2		+0.2	$\times 10^{-9}$	At Shipment
	Frequency vs. Temperature	-1		+1	$\times 10^{-9}$	T <sub>A</sub> varies from -40°C to 70°C
	Short-term Stability (Allan Deviation)			0.1	$\times 10^{-9}$	1s~100s
	Daily Aging	-0.04		+0.04	$\times 10^{-9}$	After 1 day of continuous operation.
	Monthly Aging	-0.4		+0.4	$\times 10^{-9}$	
	yearly Aging	-4		+4	$\times 10^{-9}$	
	Warm up time			10	min	@25°C
	Frequency Adjustment Range	-0.1		+0.1	$\times 10^{-6}$	
	Frequency Adjustment Resolution			0.2	$\times 10^{-12}$	
1 PPS Input	Level	2.4		5	V	
	Pulse Width	1			$\mu$ s	
	Jitter	-50		+50	ns	
Supply Voltage	Supply Voltage	4.75	5	5.25	V	
	Warm Up			20	W	
	Steady			8	W	@25°C
Locked State	Locking			0.4	V	
	Unlocking	2.4			V	
Phase Noise	Phase Noise		-137		dBc/Hz	1KHz

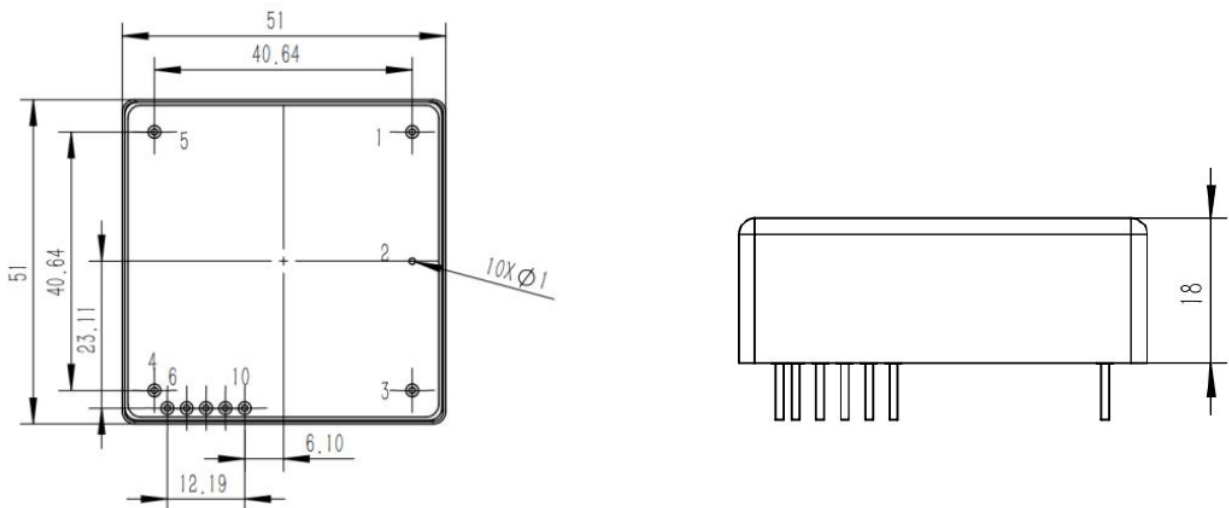


## 2. Environmental Conditions

Table 2:

Environmental Conditions	Description	Test Condition
	Operable Temperature	-40°C~70°C
	Storage Temperature	-55°C~105°C
	Storage Humidity	30%~80%
	MTBF	≥100000 Hours
	Magnetic Field	≤2 Gauss
Full Package Storage	Relative humidity (%)	20%~70%
	Temperature (°C)	-10°C~35°C

## 3. Mechanical Structure (mm)



### Pin Function

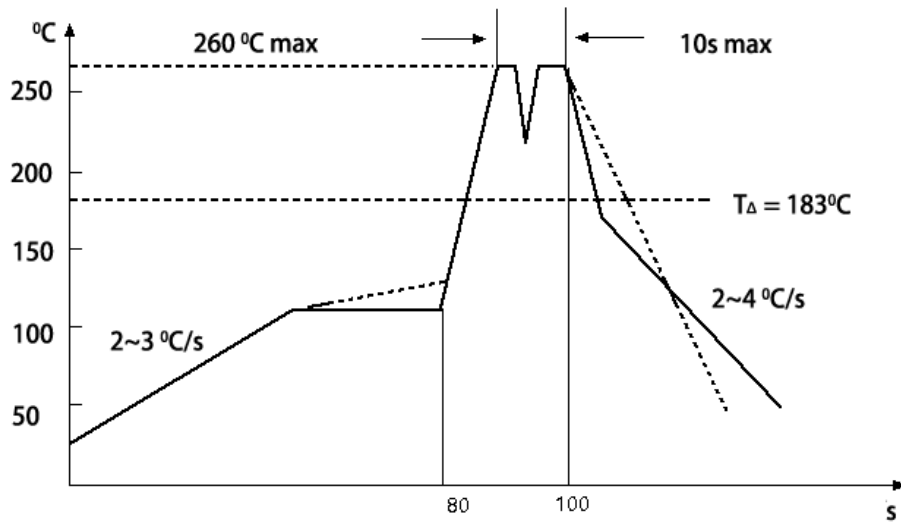
1	1PPS IN	1PPS IN
2	CASE	CASE
3	10MHz	10MHz Output
4	GND	GND
5	+5V	Vcc
6	LOCK	Lock indicator, 3.3V:unlock,low:lock
7	TXD	UART Transmitter
8	RXD	UART Receiver
9	1PPS OUT	1PPS_OUT
10	NC	NC

**Note1:** Tolerance ± 0.30mm without mark

**Note2:** Referential weight 100g



#### 4. Wave soldering curve (RoHS)



#### 5. Package (mm)

