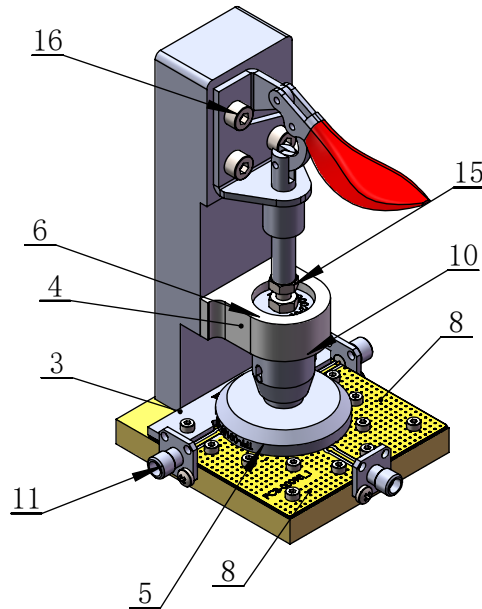
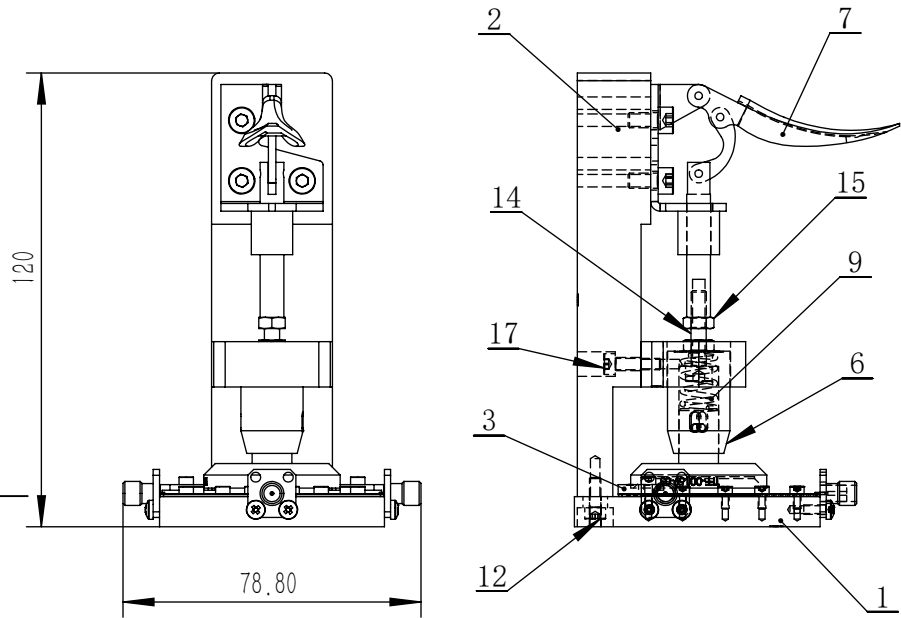



RoHS COMPLIANT

REVISIONS				
REV.	ECN NO.	DESCRIPTION	DATE	REVISOR
A	/	Producing release	2023/9/8	ZZ. Zhu



项目号	零件号	说明	数量
1	tff-00159-01	Test Block	1
2	TFF-00034-02	Fixed Block	1
3	TFF-00159-02	Limited Block	1
4	TFF-00002-02	Guide Block	1
5	TFF-00159-03	Pressure Head	1
6	TFF-00002-05	Pressure Head Fixing Seat	1
7	TAS-00088	GH-301-AM	1
8	pcb-00095	PCB	1
9	SPR-00002	SPRING	1
10	DOW-00002	DOWEL $\Phi 2.0 \times 16$	1
11	con-00004	CONNECTOR SMA-F	3
12	SCR-00023	Screw 内六角圆柱头 M3x8	2
13	SCR-00001	SCREW 十字盘头 M2.5X6	6
14	SCR-00002	Screw 内六角圆柱头 M4X20	1
15	NUT-00001	M4 Nut	2
16	SCR-00004	Screw 内六角圆柱头 M4X8	3
17	SCR-00005	Screw 内六角圆柱头 M3x12	2
18	SCR-00042	M2X4内六角螺丝	10
19	SCR-00012	M2X6内六角螺丝	2

PART NAME: 测试夹具	Designed:	ZC. Wu	2023/9/8		
	Checked:	ZC. Wu	2023/9/8		
DRAWING NO. : TFF-00159	Approval:	KL. Wang	2023/9/8	TOLERANCES ON	
	The first angle projection: $\text{---}\oplus\text{---}$				DECIMALS
DESCRIPTION: TEST FIXTURE	Sheet 1 of 1			±0.20	±0.5°
	Scale: 1:1	Unit: mm	A4		