

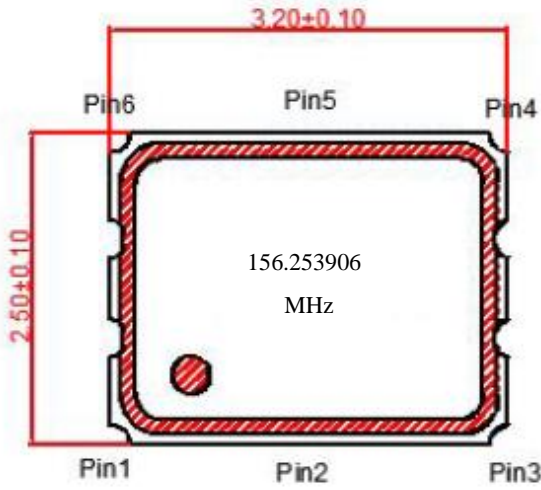


1、Electrical Parameters

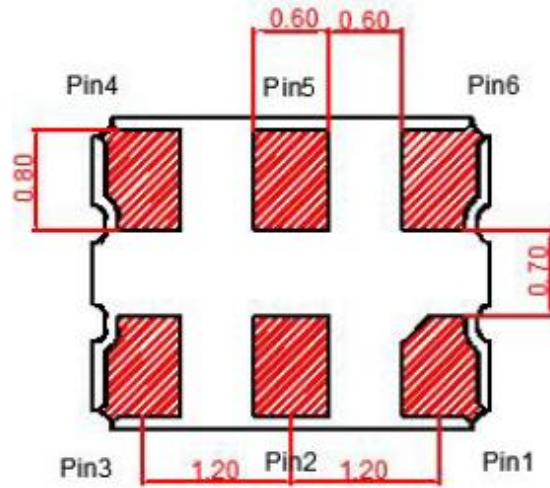
MODEL: DPCA156M2501							
No.	Parameters	SYM.	Electrical Spec.				Notes
			Min.	Typ.	Max.	Units	
1	Nominal Frequency	FL	156.253906			MHz	
2	Frequency Tolerance	FL	-10		+10	$\times 10^{-6}$	
3	Frequency Stability Over Operating Temp. Range	TC	-30	~	+30	$\times 10^{-6}$	
4	Operating Temperature	Topr	-40	~	+105	°C	
5	Storage Temperature	Tstg	-55	~	+125	°C	
6	Supply Voltage	Vdd		3.3		V	
7	Input Current	Icc	-	30		mA	
8	Output waveform	-	LVPECL			-	
9	Output Load:	CL	50			Ω	
10	Output Voltage "L"Level	VOL	1.45		1.70	V	
11	Output Voltage "H"Level	VOH	2.27		2.7	V	
12	High Level Input Voltage	VIH	70% Vdd	-	-	V	
13	Low Level Input Voltage	VIL	-	-	30% Vdd	V	
14	Rise/ Fall Time	Tr/ Tf	-	-	0.5	ns	20%~80% Vdd Level
15	Symmetry (Duty ratio)	TH/T	45		55	%	
16	Start-up Time	Tosc	-	-	10	ms	
17	Output Enable		Vdd*0.7 Or Floating			V	Pin 1 Tri-State
18	Output Disable				Vdd*0.3	V	



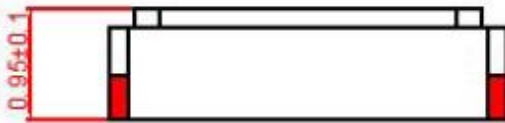
2、Mechanical Structure(mm)



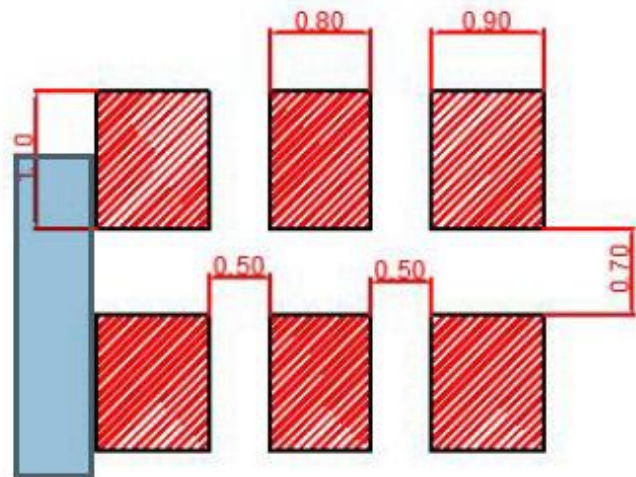
Top View



Bottom View



Side View



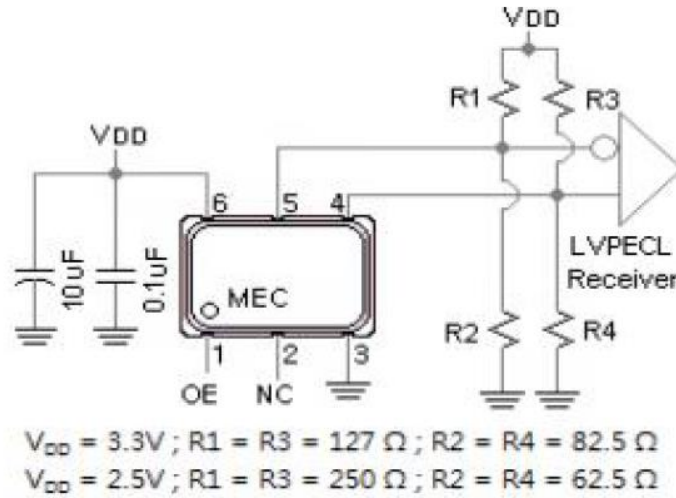
Recommended Land Pattern

pin1: OE or NC	pin4: OUT
pin2:NC	pin5:OUTN
pin3:GND	pin6:Vdd

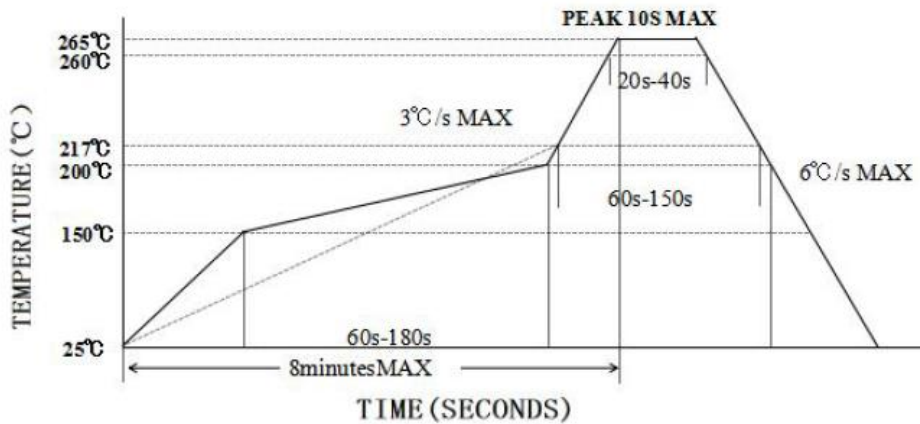
Note1:Tolerance ± 0.2 mm without mark



3、 Test Circuit



4、 Reflow Soldering Curve (RoHS)



5、 Package: Tape & Reel (mm)

