

**Customer Code:** \_\_\_\_\_

# DATASHEET

**DAPU P/N:** T3225G-A510CK-40.00MHz-X337

DAPU			Customer Approval
Drew	Audited	Approved	
Jieshu ZHENG	Jianhua LIN	Gangtao FENG	
Date:	2025/2/25		
			Stamp, please! Thanks!

## Guangdong Dapu Telecom Technology Co.,Ltd

Bldg 5, SSL Modern Enterprise Accelerator Zone, Dongguan City, Guangdong Province, PRC China  
TEL: 0086-0769-88010888 FAX: 0086-0769-81800098

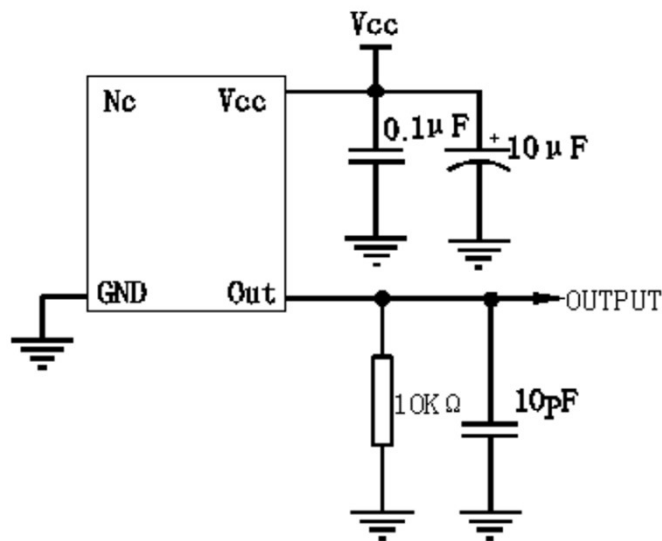


## 1、Electrical Parameter

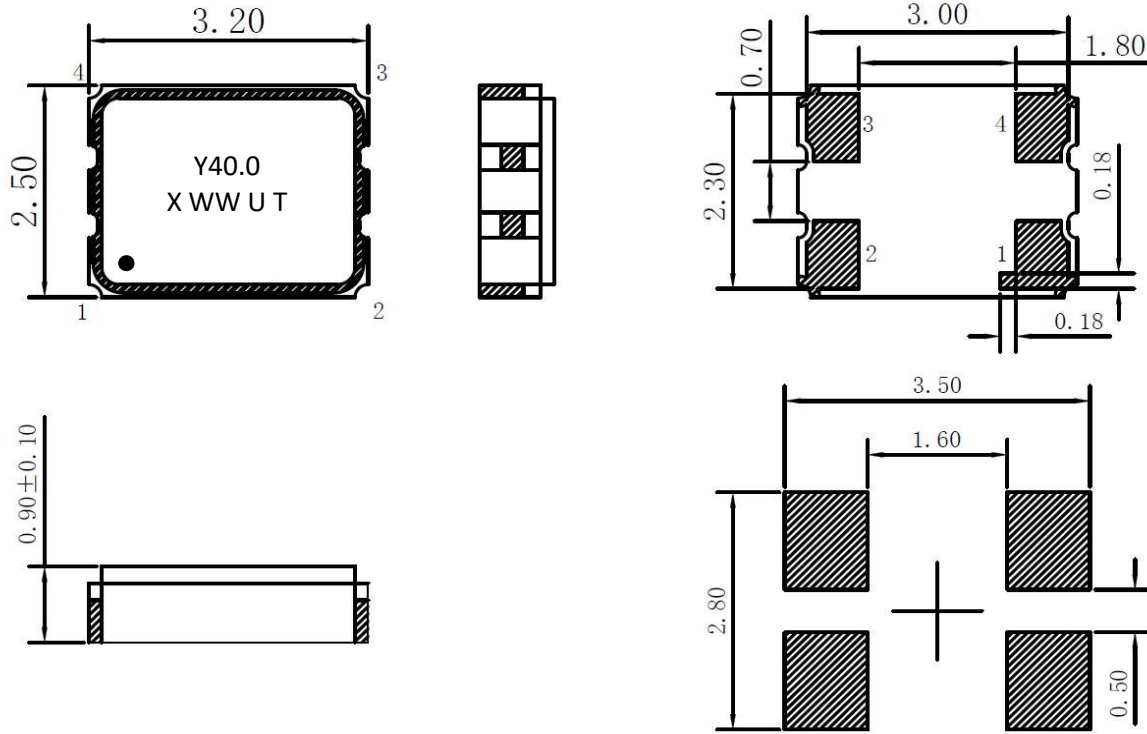
MODEL:		T3225G-A510CK-40.00MHz-X337				
No.	Description	Parameters			Units	Test Condition
		Min.	Typ.	Max.		
Output	Frequency	40.000			MHz	
	Output Waveform	Clipped Sine Wave				
	V <sub>p-p</sub>	0.8			V	
	Spurious Suppression			-8	dBc	
	Load	10KΩ//10pF				
Frequency Stabilities	Frequency Tolerance	-1.5		1.5	×10 <sup>-6</sup>	@25±2°C, 2H, after 2 times reflow soldering, base on nominal frequency.
	vs. Temperature	-2		2	×10 <sup>-6</sup>	-30°C to 85°C (referenced to 25°C)
	vs. Supply Voltage	-0.1		0.1	×10 <sup>-6</sup>	measurement referenced to frequency observed T <sub>A</sub> =25°C, V <sub>cc</sub> =3.3V±5%, and O <sub>Load</sub> =10KΩ//10pF.
	vs. Load	-0.1		0.1	×10 <sup>-6</sup>	10% load change measurement referenced to frequency observed with T <sub>A</sub> =25°C, V <sub>cc</sub> =3.3V, and O <sub>Load</sub> =10KΩ//10pF.
	Aging Tolerance 1 Year	-1		1	×10 <sup>-6</sup>	T <sub>A</sub> =25°C, V <sub>cc</sub> =3.3V, and after 1h of operation.
Power Supply	Current consumption			2.5	mA	@25°C, V <sub>cc</sub> =3.3V, O <sub>Load</sub> =10KΩ//10pF.
	Start up Time			2	ms	More than 90% of final output voltage
	Supply Voltage	2.97	3.30	3.63	V	
SSB Phase Noise	Phase Noise@25±2°C			-50	dBc/Hz	1Hz
				-83		10Hz
				-113		100Hz
				-138		1KHz
				-145		10KHz
				-153		100KHz
				-155		1MHz

Voltage Control	Frequency turning range	-14		-8	$\times 10^{-6}$	Vc=0.5V. measurement referenced to Vc=1.5V
		-1.5		1.5	$\times 10^{-6}$	Vc=1.5V. measurement referenced to Exactly 40.00MHz
		8		14	$\times 10^{-6}$	Vc=2.5V. measurement referenced to Vc=1.5V
Environmental Conditions	Operable Temperature	-30		85	°C	
	Storage Temperature	-55		105	°C	
	ESD Level	Human Body Model, class 2: 2000V to 4000V; ANSI/ESDA/JEDEC JS-001-2010.				
		Machine Model, class B: 200V to 400V; JEDEC JESD22-A115C.				
	Moisture Sensitivity Level	Level 1.				
	Vibration	Test Condition: 0.75mm ;acceleration:10g;10Hz~2000Hz, one cycle per 30 min, test 2 hour. (3 times for each 3 directions X ,Y, Z) .IEC 68-2-06 Test Fc.				
Shock	100g; 6ms; half sine wave (3 times for each 3 direction s X ,Y, Z ), IEC 68-2-27 Test Ea/Severity 50A.					
Full Package Storage	Relative humidity (%)	20%~70%				
	Load	10KΩ//10pF				

**2、 Test Circuit**



### 3、 Mechanical Structure(mm)

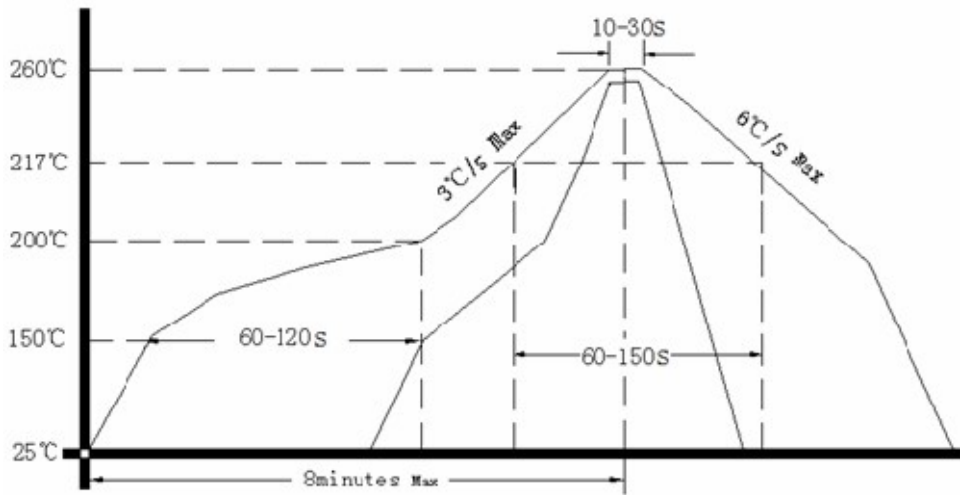


**Note1: X representative year, WW representative week, others representative fixed code;**

**Note2: The undimensioned tolerance is ±0.1mm;**

PIN NAME	CONNECTION
PIN1	V <sub>CONT</sub>
PIN2	GND
PIN3	F <sub>OUT</sub>
PIN4	V <sub>CC</sub>

#### 4、 Reflow Soldering Curve (RoHS)



#### 5、 Package: Tape & Reel (mm)

