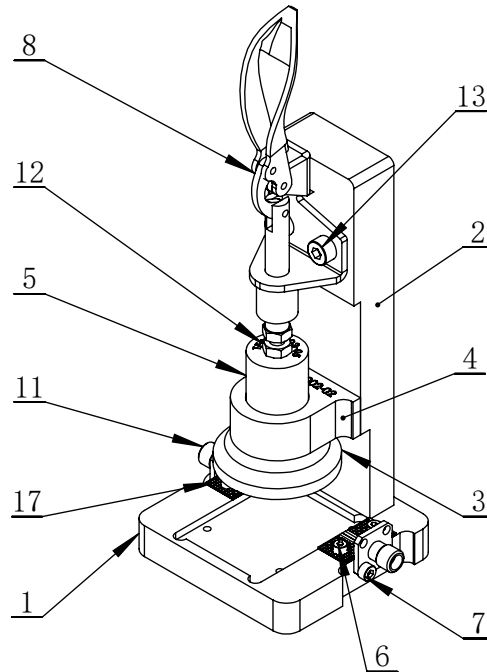
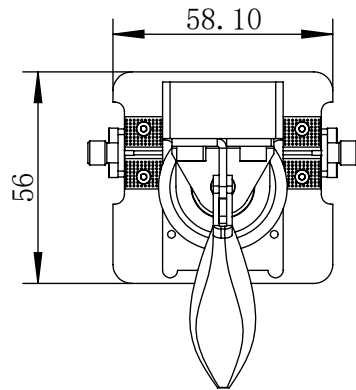
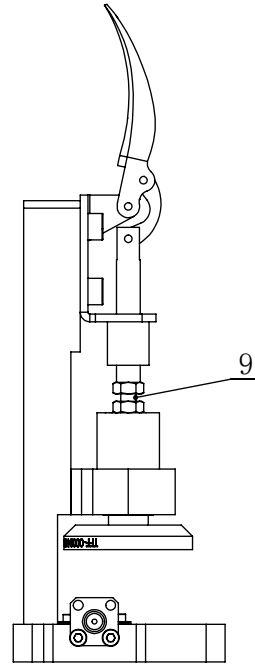
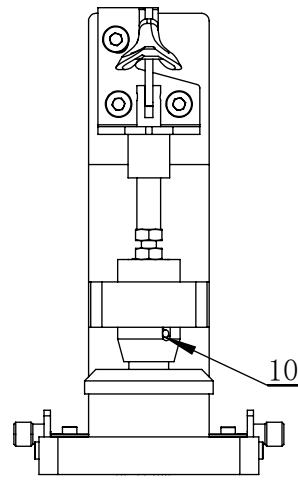

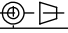


RoHS COMPLIANT

REVISIONS				
REV.	ECN NO.	DESCRIPTION	DATE	REVISOR
A	-	Producing release	2023/2/21	ZC.Wu



项目号	零件号	说明	组装/数量	默认/数量
1	tff-00132-01	TEST FIXTURE	1	1
2	TFF-00011-02	Fixed Block	1	1
3	TFF-00034-04	Pressure Head	1	1
4	TFF-00002-02	Guide Block	1	1
5	TFF-00002-05	Pressure Head Fixing Seat	1	1
6	SCR-00012	M2X6内六角螺丝	4	4
7	SCR-00008	M2.5X6内六角螺丝	4	4
8	tas-00088	GH-301-AM	1	1
9	SCR-00002	Screw 内六角圆柱头 M4X20	1	1
10	DOW-00002	DOWEL $\Phi 2.0 \times 16$	1	1
11	CON-00001	CONNECTOR SMA-F	2	2
12	NUT-00001	M4 Nut	2	2
13	SCR-00004	Screw 内六角圆柱头 M4X8	3	3
14	SCR-00005	Screw 内六角圆柱头 M3x12	2	2
15	SCR-00023	Screw 内六角圆柱头 M3x8	2	2
16	SPR-00002	SPRING	1	1
17	pcb-00064	PCB	2	2

PART NAME: 测试夹具	Designed:	ZC.Wu	2023/2/21		
	Checked:	ZC.Wu	2023/2/21		
DRAWING NO. : tff-00132	Approval:	KL.Wang	2023/2/21	TOLERANCES ON	
	The first angle projection: 				DECIMALS
DESCRIPTION: Test Fixture	Sheet 1 of 1			±0.20	±0.5°
	Scale: 1:1	Unit: mm	-		