

Customer Code: _____

DATASHEET

DAPU P/N: DPXX32K7680125A002

DAPU			Customer Approval
Drew	Audited	Approved	
Jieshu ZHENG	Jianhua LIN	Gangtao FENG	
Date : 2024/9/11			
			Stamp, please! Thanks!

Guangdong Dapu Telecom Technology Co.,Ltd

Bldg 5, SSL Modern Enterprise Accelerator Zone, Dongguan City, Guangdong Province, PRC China
TEL : 0086-0769-88010888 FAX : 0086-0769-81800098



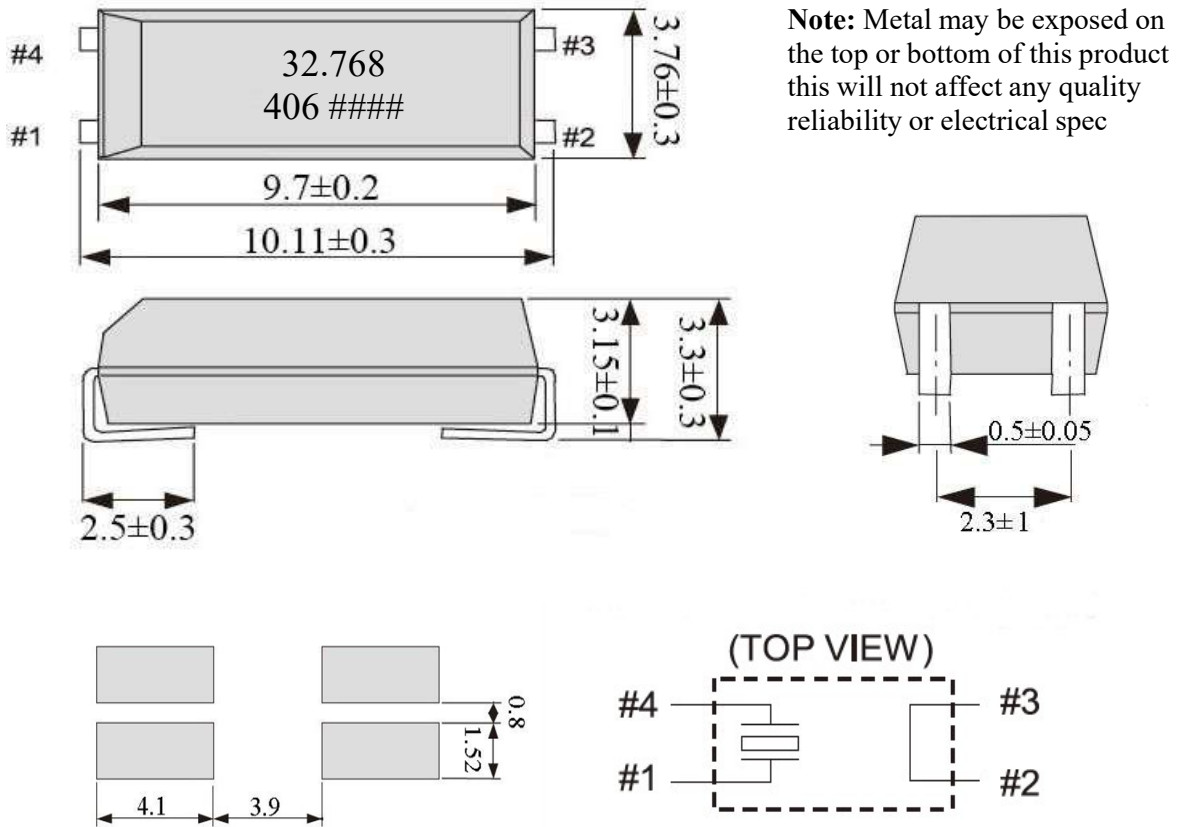
Table of amendment

Version	Revision contents	Prepared by	Revised date
1.0	The first issued	Jieshu ZHENG	2024/9/11

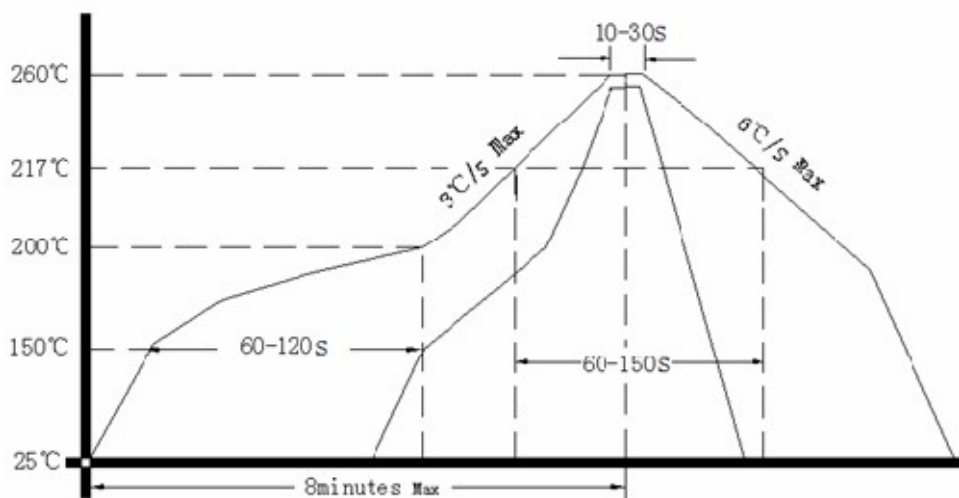
1、Electrical Parameter

MODEL :		DPXX32K7680125A002					
No.	Parameters	SYM.	Electrical Spec.				Notes
			Min.	Typ.	Max.	Units	
1	Nominal Frequency	FL	32.768			KHz	
2	Oscillation Mode	-	Fundamental			-	
3	Load Capacitance	CL	12.5			pF	
4	Frequency Tolerance	-	-20		20	$\times 10^{-6}$	At 25°C (Not include aging)
5	Turnover Temperature	-	25±5			°C	
6	Operating Temperature	Topr	-40		85	°C	
7	Storage Temperature	Tstg	-55		125	°C	
8	Drive Level	DL			1	μW	
9	Equivalent Series Resistance	ESR			50	KΩ	
10	Parabolic Coefficient	-			-0.040	ppm/°C ²	
11	Insulation Resistance	IR	500			MΩ	At DC 100V±15V
12	Shunt Capacitance	C0	0.9	1.5	2	pF	
13	Aging Rate	Δ/f	-5		5	ppm	at 25°C±3°C
14	Motional Capacitance	C1	2.2	2.7	3	fF	

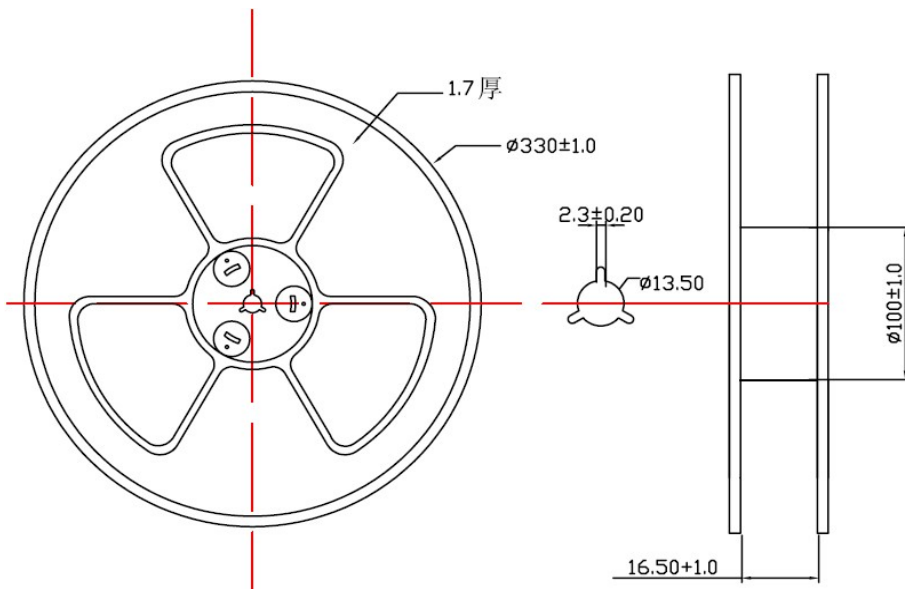
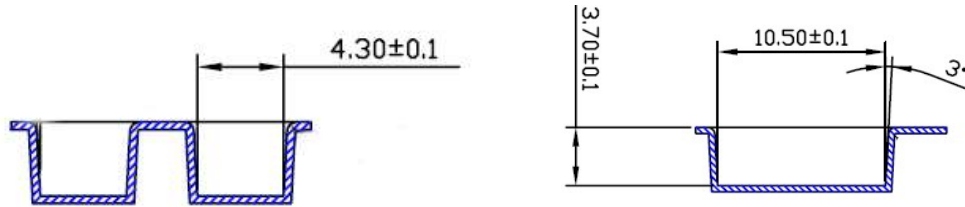
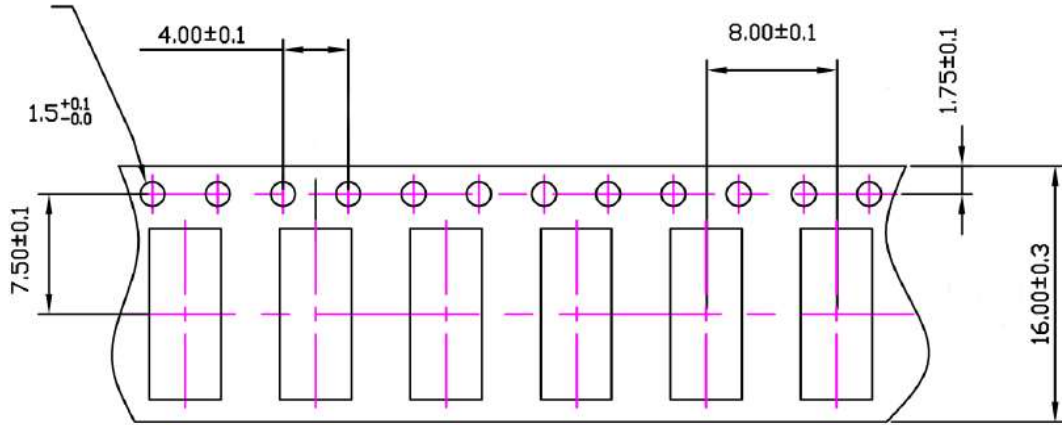
2、 Dimension drawing (Unit : mm)



3、 Reflow soldering



4、 Package: Tape & Reel (mm)



Pieces per reel: 2000/reel