

Customer Code : _____

DATASHEET

DAPU P/N : **T21-F519-20.00MHz**

Customer P/N: _____

DAPU			Customer Approval
Drew	Audited	Approved	Stamp, please! Thanks!
Date: 2023.03.16			

Guangdong Dapu Telecom Technology Co.,Ltd

Building 5, No.24, Industrial East Road, Songshanhu Park, Dongguan, Guangdong, P.R. China

TEL: 0086-0769-88010888 FAX: 0086-0769-81800098



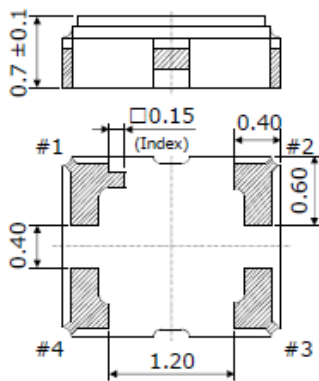
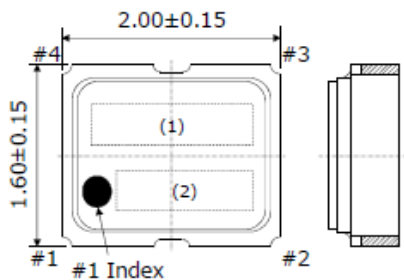
1. Electrical Parameters

MODEL: T21-F519-20.00MHz						
Item	Description	Parameters			Unit	Test Condition
		Min.	Typ.	Max.		
Output	Frequency	20.00			MHz	
	Output Waveform	Clipped Sine Wave				
	Vp-p	0.8			V	
	Start Up Time			2	ms	@90% of final V _{out} level
	Symmetry	40	50	60	%	
	Harmonics			-5	dBc	
	Load	10KΩ//10pF				
Frequency Stabilities	Frequency Tolerance vs. Operating Temperature Range	-0.5		+0.5	× 10 ⁻⁶	T _A varied from -40 to 85°C, measurement referenced to frequency observed with f _{ref} =(f _{max} +f _{min})/2, V _{cc} =3.3V, O _{load} =10KΩ//10pF, temperature variable speed less than 2°C per minute.
	Initial Frequency Tolerance	-1.5		+1.5	× 10 ⁻⁶	T _A =25°C, leave after reflow in 2h of more at room ambient. after 2times reflow, referenced to nominal frequency
	Frequency Tolerance vs. Supply Voltage	-0.2		+0.2	× 10 ⁻⁶	measurement referenced to frequency observed T _A =25°C, V _{cc} varied from 3.135V to 3.465V, and O _{Load} =10KΩ//10pF.
	Frequency Tolerance vs. Load	-0.2		+0.2	× 10 ⁻⁶	10% load change measurement referenced to frequency observed with T _A =25°C, V _{cc} =3.3V, O _{Load} =10KΩ//10pF
	Aging Tolerance 1 Year	-1		+1	× 10 ⁻⁶	T _A =25°C, V _{cc} =3.3V, and after 1h of operation.
Power Supply	Current Consumption			1.5	mA	@25°C, V _{cc} =3.3V, O _{load} =10KΩ//10pF.
	Supply Voltage	3.135	3.3	3.465	V	
Phase Noise	Phase Noise @25°C			-130	dBc/Hz	1KHz



Environmental Conditions	Operable Temperature	-40	+85	°C	
	Storage Temperature	-55	+125	°C	
	ESD Level	Human Body Model, class2: 2000V to 4000V; ANSI/ESDA/JEDEC JS-001-2010.			
		Machine Model, class B: 200V to 400V; JEDEC JESD22-A115C.			
	Moisture Sensitivity Level	Level 1.			
	Vibration	Test Condition: 0.75mm ;acceleration:10g;10Hz~2000Hz, one cycle per 30 min, test 2 hour. (3 times for each 3 directions X , Y , Z) .IEC 68-2-06 Test Fc.			
Shock	100g; 6ms; half sine wave (3 times for each 3 directions X , Y , Z),IEC 68-2-27 Test Ea/Severity 50A.				
Full Package Storage	Relative humidity (%)	20%~70%			
	Temperature (°C)	-10~35°C			

2. Mechanical Structure(mm)



Pin connections

Pin No.	Connection
#1	GND
#2	GND
#3	Output
#4	Vcc

Unit : mm

Dimensional tolerance : ±0.15
(Unless otherwise noted)

Marking

(1) Frequency ex.) 20.000MHz → 20.00

(2) Lot No. ex.) 2022/01/01 → 201

Year : The last digit of the year

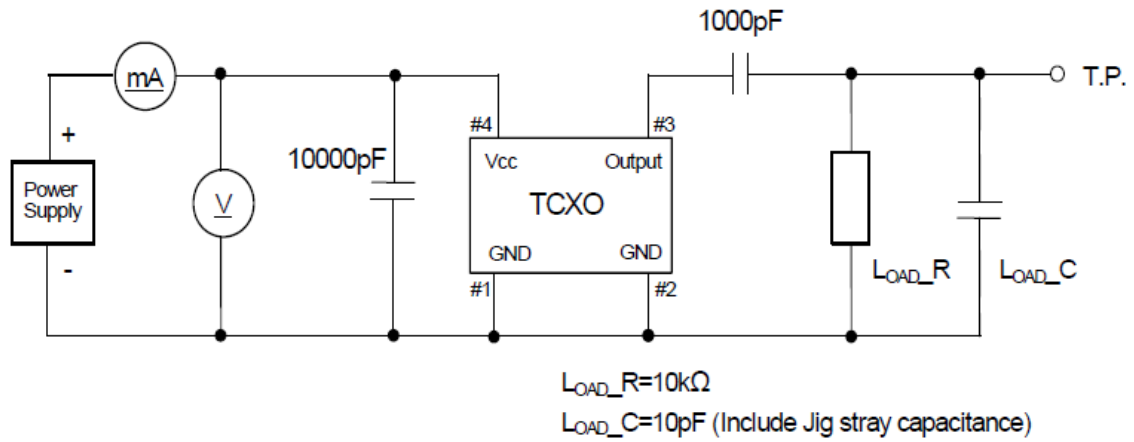
Week : We gave the sequence of week numbers 01(first week) for production date.

There are starting from 1st of Jan. However, add '0' figure to the first week during the nine weeks.

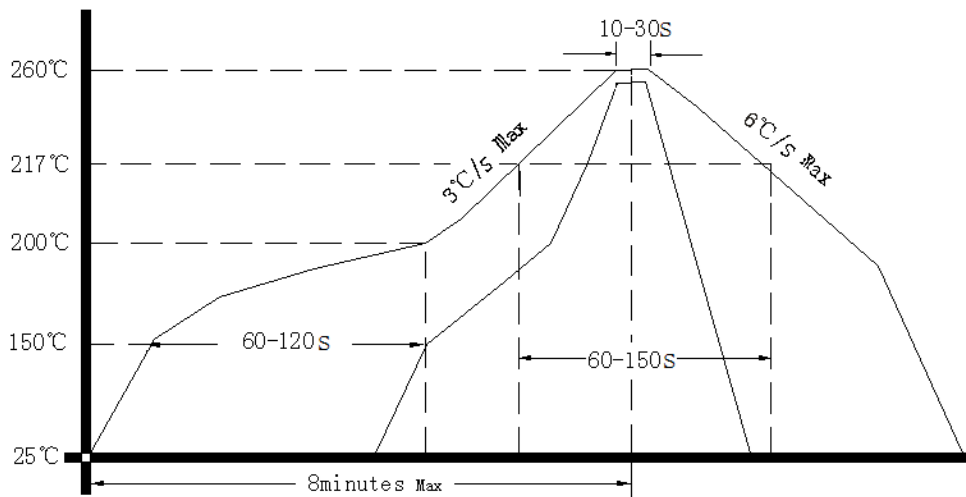
The week means are from Sunday to Saturday.



3. Test circuit



4. Reflow Soldering Curve (RoHS)



5. Package: Tape & Reel (mm)

