



CUSTOMER: _____

DATASHEET

PRODUCT TYPE: DPTC3225

DAPU P/N: T3225C-A579-24.00MHz

Plot			The Label
Drew	Audited	Approved	Stamp, please! Thanks!
Jianhua LIN	David	William	
Date: 2023.11.29			

Guangdong Dapu Telecom Technology Co.,Ltd

Building 5, No.24, Industrial East Road, Songshanhu Park, Dongguan, Guangdong, P.R. China

TEL: 0086-0769-88010888 FAX: 0086-0769-81800098



Table of amendment

Version	Revision contents	Prepared by	Revised date
1.0	The first issued	LIN Jianhua	2023.11.29

DAPU Confidential



1. Electrical Parameters

MODEL: T3225C-A579-24.00MHz						
Item	Description	Parameters			Unit	Test Condition
		Min.	Typ.	Max.		
Output	Frequency	24.00			MHz	
	Output Waveform	Clipped Sine Wave				
	V _{p-p}	0.8			V	
	Duty Cycle	40	50	60	%	@50%
	Harmonics Suppression			-5	dBc	
	Load	10KΩ//10pF				
	Start-up Time			2	ms	
Frequency Stabilities	Frequency Tolerance vs. Operating Temperature Range	-0.5		+0.5	× 10 ⁻⁶	T _A varied from -30°C to 85°C, measurement referenced to frequency observed with T _A =25°C, V _{cc} =1.8V, O _{load} =10KΩ//10pF, temperature variable speed less than 2°C per minute.
		-2.5		+2.5	× 10 ⁻⁶	T _A varied from -40°C to -30°C, measurement referenced to frequency observed with T _A =25°C, V _{cc} =1.8V, O _{load} =10KΩ//10pF, temperature variable speed less than 2°C per minute.
	Nominal Frequency Tolerance	-1.5		+1.5	× 10 ⁻⁶	@25°C, V _{cc} =1.8V, after 2 times reflow Ref. to before reflow frequency.
	Frequency Tolerance vs. Supply Voltage	-0.2		+0.2	× 10 ⁻⁶	measurement referenced to frequency observed T _A =25°C, V _{cc} varied from 1.7V to 1.9V, and O _{Load} =10KΩ//10pF.
	Frequency Tolerance vs. Load	-0.2		+0.2	× 10 ⁻⁶	10% load change measurement referenced to frequency observed with T _A =25°C, V _{cc} =1.8V, and O _{Load} =10KΩ//10pF.
Aging Tolerance 1 Year	-1		+1	× 10 ⁻⁶	T _A =25°C, V _{cc} =1.8V, and after 1h of operation.	
Power Supply	Operating Current			1.5	mA	@25°C, V _{cc} =1.8V, O _{Load} =10KΩ//10pF.
	Supply Voltage	1.7	1.8	1.9	V	

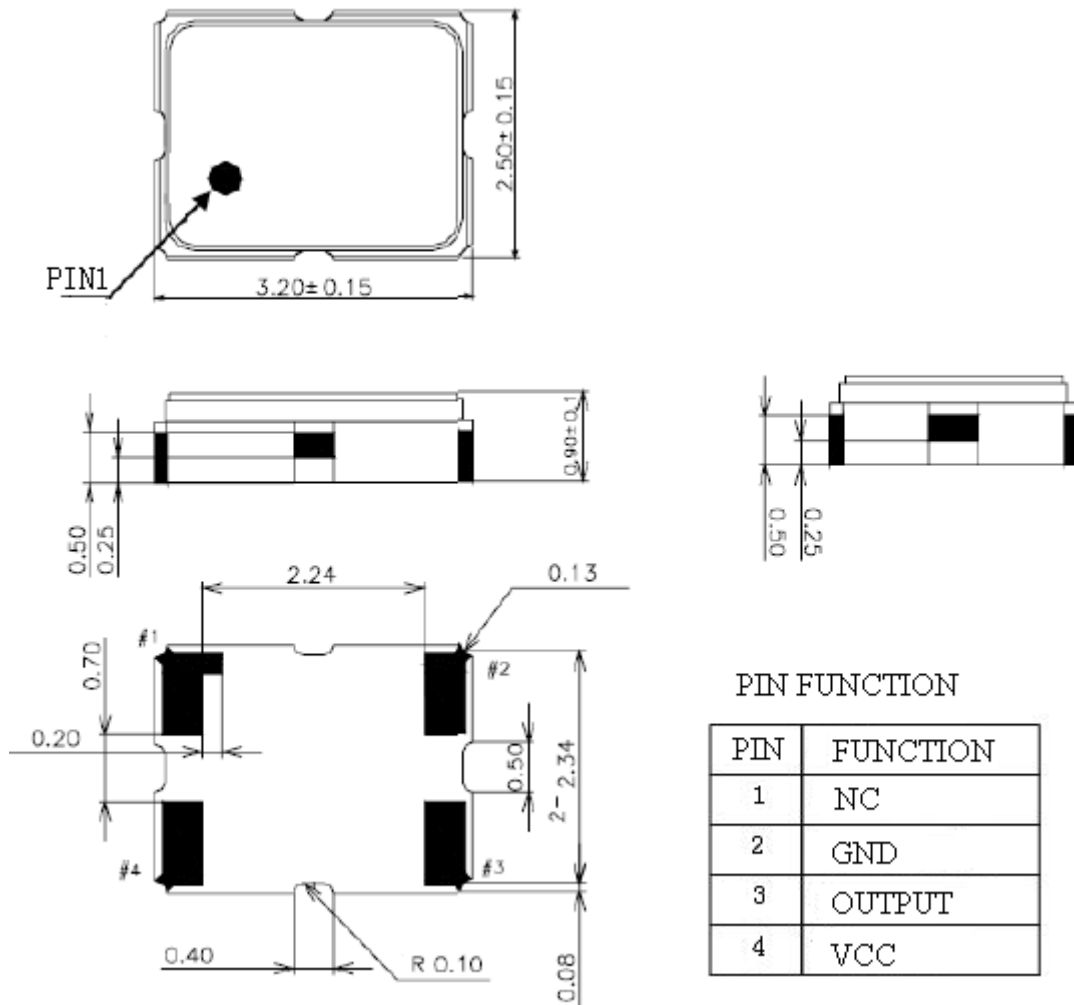


Phase Noise	Phase Noise @25°C			-130	dBc/Hz	1KHz
Environmental Conditions	Operable Temperature	-40		+85	°C	
	Storage Temperature	-55		+105	°C	
	ESD Level	Human Body Model,class2: 2000V to 4000V; ANSI/ESDA/JEDEC JS-001-2010.				
		Machine Model, class B: 200V to 400V; JEDEC JESD22-A115C				
	Moisture Sensitivity Level	Level 1.				
	Vibration	Test Condition: 0.75mm ;acceleration:10g;10Hz~2000Hz, one cycle per 30 min, test 2 hour. (3 times for each 3 directions X , Y , Z) .IEC 68-2-06 Test Fc.				
Shock	100g; 6ms; half sine wave (3 times for each 3 directions X ,Y, Z),IEC 68-2-27 Test Ea/Severity 50A.					

DAPU Confidential



2. Mechanical Structure(mm)

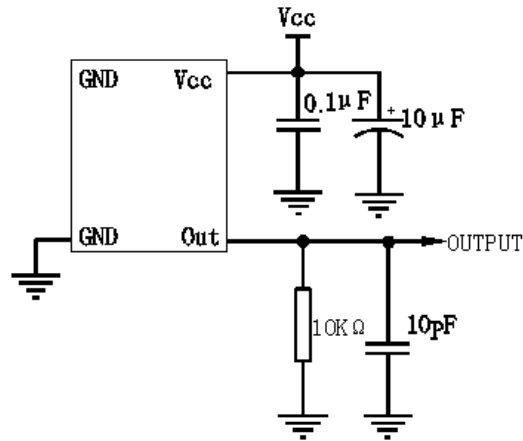


Note1: Tolerance ± 0.1 mm without mark

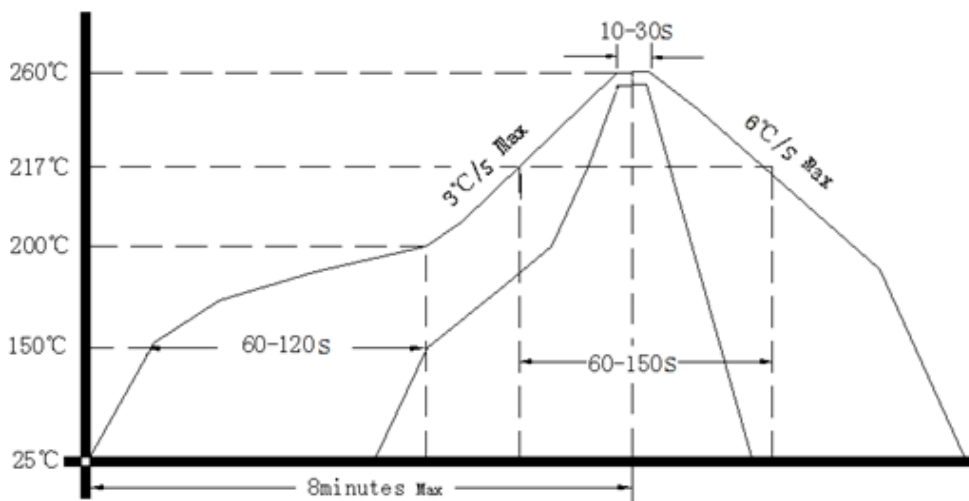
Note2: Referential Weight 0.02g



3. Test Circuit



4. Reflow Soldering Curve (RoHS)



5. Package: Tape & Reel (mm)

