

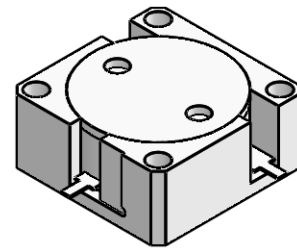


DP3622C

ENG PART:DP-20X20CD-1550T1620-CCW

1550MHz to 1620MHz Single-Junction Drop-in Circulator

REV.	DESCRIPTION	REVISOR	DATE	APPROVED
1	Creating datasheet	ZC.Wu	2024/12/09	Nick

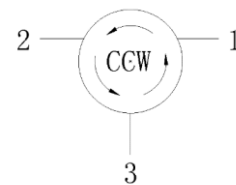


Applications:

- Wireless Infrastructure
- Power Amplifier

Features:

- Operating frequency range:1550MHz to 1620MHz
- Operating temperature range: -40°C to +105°C
- Storage temperature range: -50°C to +135°C
- BeOfree&RoHS compliant



Block Diagram



Electrical Specifications:

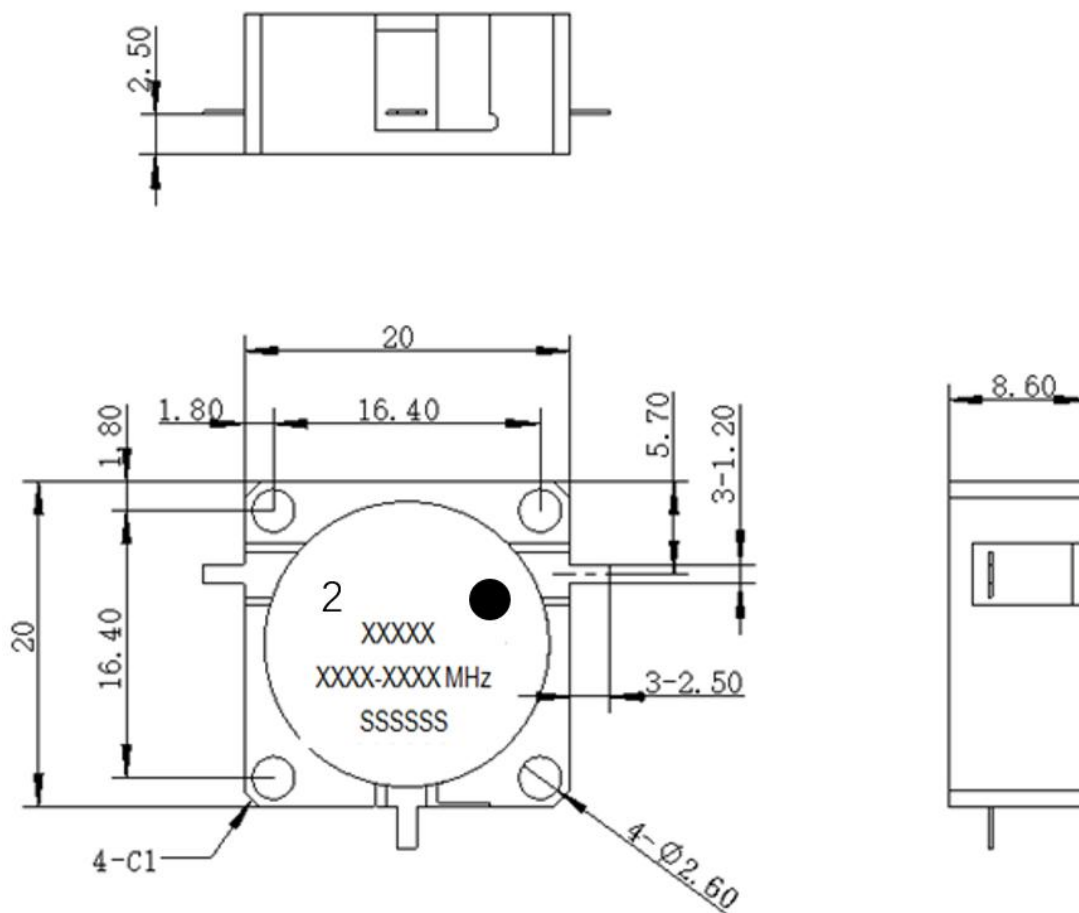
ITEM	SPECIFICATION	
Frequency	1550~1620	MHz
Direction	CCW	
Impedance	Typ: 50	Ω
Insertion Loss (Max.)	0.30@-40~+105 $^{\circ}$ C	dB
Isolation (Min.)	24@25 \pm 5 22@-40~+105 $^{\circ}$ C	dB
Return Loss (Min.)	24@25 \pm 5 22@-40~+105 $^{\circ}$ C	dB
Power FWD/REV/PEAK	100/100/1000	W
Operating Temperature	-40~+105	$^{\circ}$ C
Storage Temperature	-50~+135	$^{\circ}$ C
Termination/Attenuator	/	W/dB

Notes:

1. Exposure to maximum rating conditions for extended periods may reduce device reliability. There is no damage to device with only one parameter set at the limit and all other parameters set at or below their nominal value. Exceeding any of the limits listed here may result in permanent damage to the device.
2. Performance is guaranteed under the conditions listed in this table and over the operating temperature range.



Mechanical Specifications:



Unit: Millimeters

Notes:

1. The housing and circuit are silver-plated.
2. Tolerance ± 0.2 mm unless otherwise specified.
3. Co-planarity Specification: 0.1 mm maximum.
4. Part Number, Lot Code, and Port Designation are printed on the top side of device.
5. The XXXXX on the label represents the last five digits of the Part Number
6. The XXXX-XXXX on the label represents the operating frequency
7. The SSSSSS on the label represents the serial number
8. The black dot on the label represents the input port