

Customer Code: _____

DATASHEET

DAPU P/N: DPX3132K7680125B201

DAPU			Customer Approval
Drew	Audited	Approved	
Jieshu ZHENG	Jianhua LIN	Gangtao FENG	
Date: 2024/11/13			

Stamp, please! Thanks!

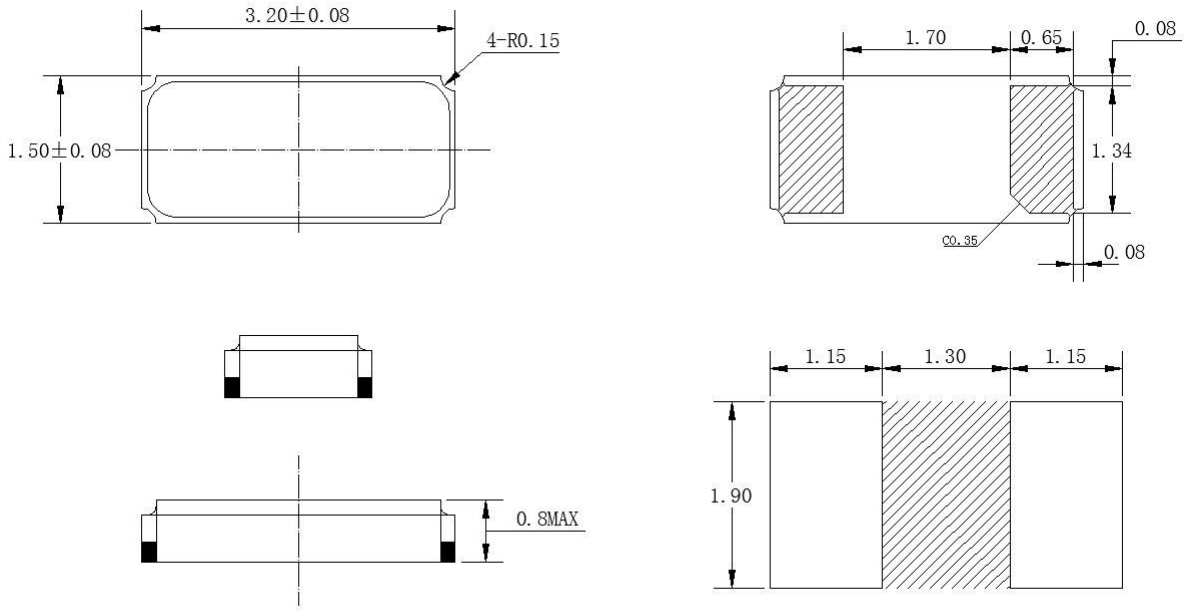
Guangdong Dapu Telecom Technology Co.,Ltd

Bldg 5, SSL Modern Enterprise Accelerator Zone, Dongguan City, Guangdong Province, PRC China
TEL: 0086-0769-88010888 FAX: 0086-0769-81800098

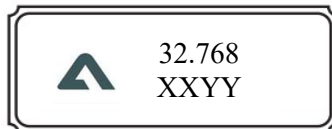
1、Electrical Parameter

MODEL :		DPX3132K7680125B201					
No.	Parameters	SYM.	Electrical Spec.				Notes
			Min.	Typ.	Max.	Units	
1	Specification	-	3215			-	
2	Nominal Frequency	FL	32.768			KHz	
3	Oscillation Mode	-	Fundamental			-	
4	Load Capacitance	CL	12.5			pF	
5	Frequency Tolerance	-	-20		20	$\times 10^{-6}$	At 25°C (Not include aging)
6	Turnover Temperature	-		25±5		°C	
7	Operating Temperature	Topr	-40		125	°C	
8	Storage Temperature	Tstg	-55		125	°C	
9	Drive Level	DL		0.1	1	μ W	
10	Equivalent Series Resistance	ESR			80	K Ω	At 25°C
11	Parabolic Coefficient	-	-0.034±0.006			ppm/°C ²	
12	Aging (first year)	-	-3		3	ppm	25°C±3°C
13	Motional capacitance	C1	3.6	4.2	4.6	fF	
14	Shunt capacitance	C0	1.05	1.2	1.45	pF	
15	Insulation Resistance	IR	500			M Ω	

2、 Dimension drawing (Unit: mm)

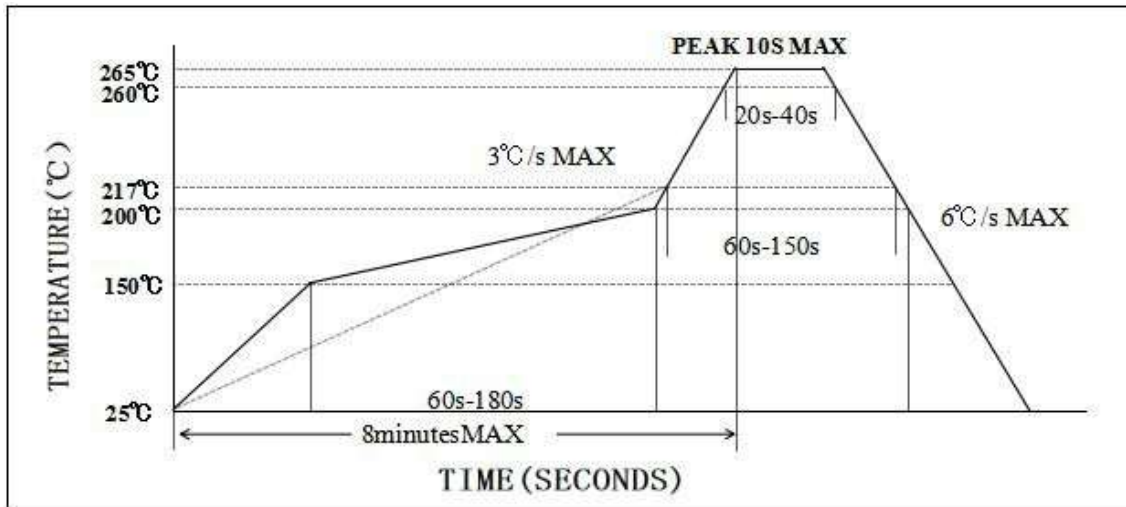


3、 Marking spec



32.768 — Frequency
 XX — Year
 YY — Week

4、 Reflow soldering



5、 Package: Tape & Reel (mm)

