

Customer Code: _____

DATASHEET

DAPU P/N: T2016G-B570CK-20.00MHz-D0

DAPU			Customer Approval
Drew	Audited	Approved	
Jieshu ZHENG	Jianhua LIN	Gangtao FENG	
Date:	2024/11/15		
			Stamp, please! Thanks!

Guangdong Dapu Telecom Technology Co.,Ltd

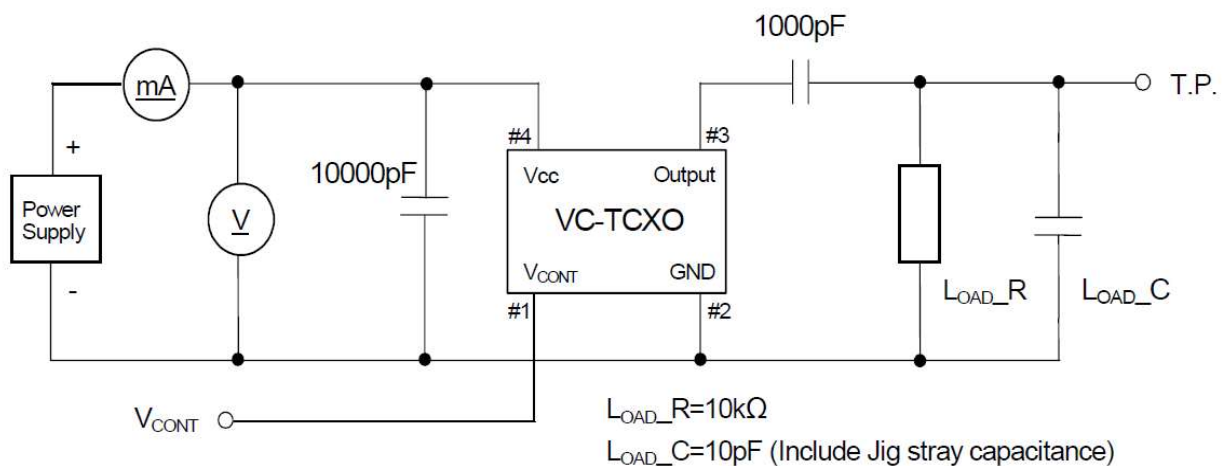
Bldg 5, SSL Modern Enterprise Accelerator Zone, Dongguan City, Guangdong Province, PRC China
TEL: 0086-0769-88010888 FAX: 0086-0769-81800098

1、Electrical Parameter

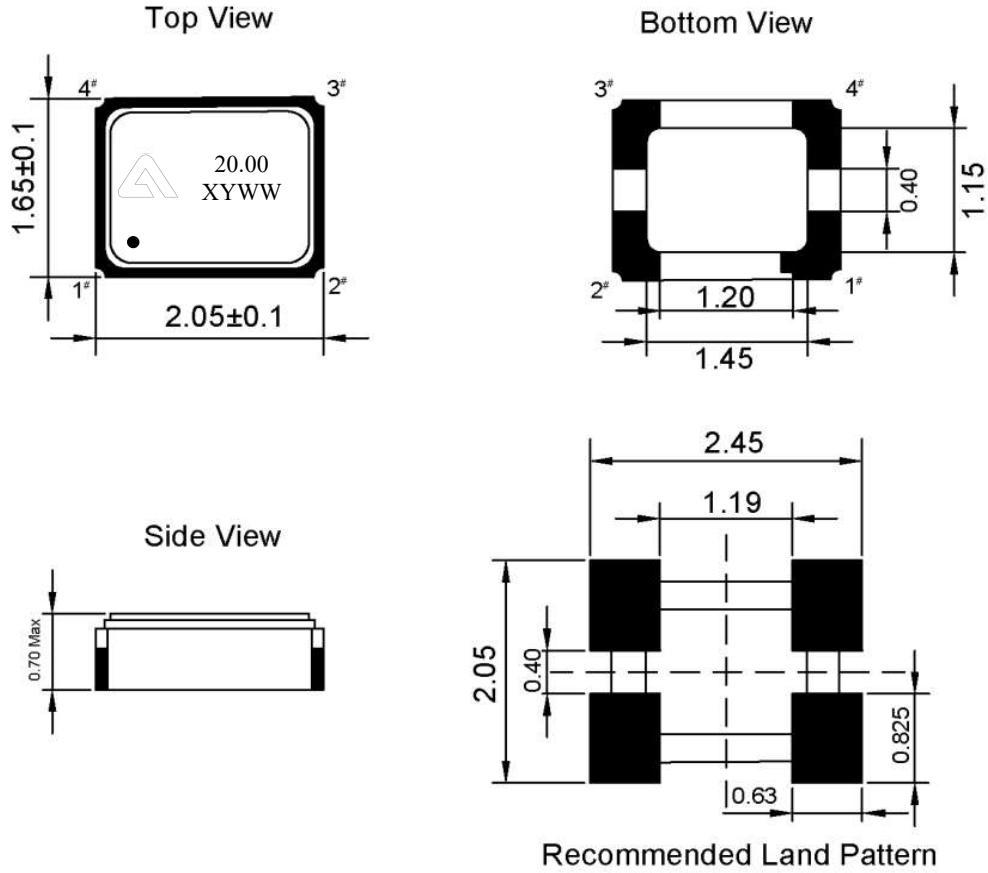
MODEL:	T2016G-B570CK-20.00MHz-D0					
No.	Description	Parameters			Units	Test Condition
		Min.	Typ.	Max.		
Output	Frequency	20.000			MHz	
	Output Waveform	Clipped Sine Wave			-	
	V _{p-p}	0.8			V	
	Spurious Suppression			-8	dBc	
	Load	10KΩ//10pF				
Frequency Stabilities	Frequency Tolerance	-2		2	×10 ⁻⁶	@25±2°C, 2H, after 2 times reflow soldering, base on nominal frequency.
	vs. Temperature	-0.5		0.5	×10 ⁻⁶	-40°C to 85°C, (Reference to +25°C)
	vs. Supply Voltage	-0.1		0.1	×10 ⁻⁶	measurement referenced to frequency observed T _A =25°C, V _{cc} =1.8V±5%, and O _{Load} =10KΩ//10pF.
	vs. Load	-0.1		0.1	×10 ⁻⁶	10% load change measurement referenced to frequency observed with T _A =25°C, V _{cc} =1.8V, and O _{Load} =10KΩ//10pF.
	Aging Tolerance 1 Year	-1		1	×10 ⁻⁶	T _A =25°C, V _{cc} =1.8V, and after 1h of operation.
Power Supply	Current consumption			1.5	mA	
	Start up Time			2	ms	More than 90% of final output voltage
	Supply Voltage	1.71	1.80	1.89	V	
SSB Phase Noise	-			-53	dBc/Hz	1Hz
				-88		10Hz
				-113		100Hz
				-137		1KHz
				-148		10KHz
				-154		100KHz
				-156		1MHz

Voltage Control	Frequency turning range			-5	$\times 10^{-6}$	Vc=0.3V. measurement referenced to Vc=0.9V
		-2		2	$\times 10^{-6}$	Vc=0.9V. measurement referenced to Exactly 20.00MHz
		5			$\times 10^{-6}$	Vc=1.5V. measurement referenced to Vc=0.9V
Environmental Conditions	Operable Temperature	-40		85	°C	
	Storage Temperature	-55		105	°C	
	ESD Level	Human Body Model, class 2: 2000V to 4000V; ANSI/ESDA/JEDEC JS-001-2010.				
		Machine Model, class B: 200V to 400V; JEDEC JESD22-A115C.				
	Moisture Sensitivity Level	Level 3.				
	Vibration	Test Condition: 0.75mm ;acceleration:10g;10Hz~2000Hz, one cycle per 30 min, test 2 hour. (3 times for each 3 directions X ,Y, Z) .IEC 68-2-06 Test Fc.				
Shock	100g; 6ms; half sine wave (3 times for each 3 direction s X ,Y, Z), IEC 68-2-27 Test Ea/Severity 50A.					
Full Package Storage	Relative humidity (%)	20%~70%				
	Load	10KΩ//10pF				

2、 Test Circuit



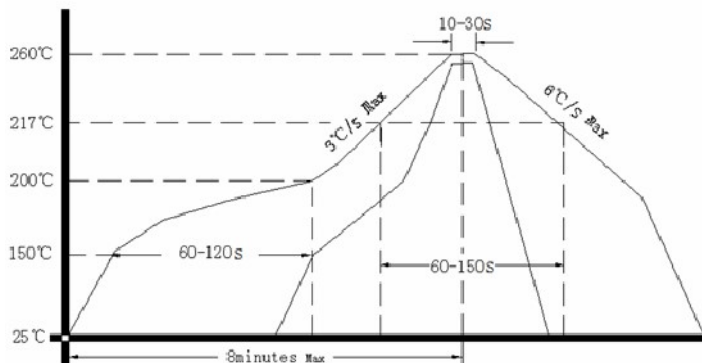
3、 Mechanical Structure(mm)



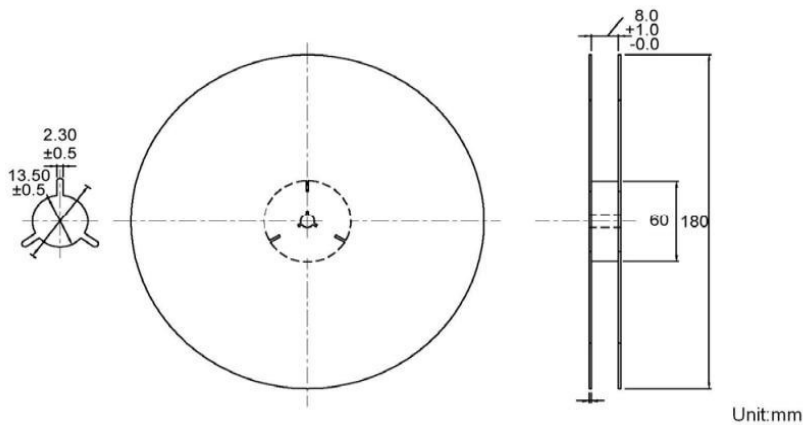
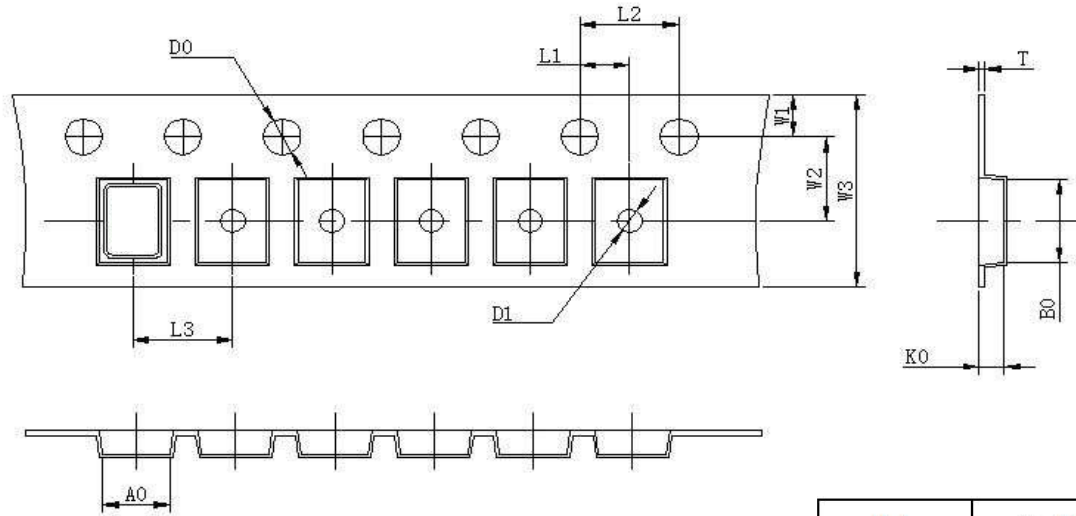
Note: X representative internal code ,Y representative year, WW representative week

PIN NAME	CONNECTION
PIN1	V_{CONT}
PIN2	GND
PIN3	F_{OUT}
PIN4	V_{CC}

4、 Reflow Soldering Curve (RoHS)



5、 Package: Tape & Reel (mm)



L1	2.00±0.1
L2	4.00±0.1
L3	4.00±0.1
D0	1.50±0.1
D1	0.6±0.1
W0	8.50±0.2
W1	1.75±0.1
W2	3.50±0.1
W3	8.00±0.1
A0	1.85±0.1
B0	2.25±0.1
K0	0.65±0.1
T	0.25±0.05