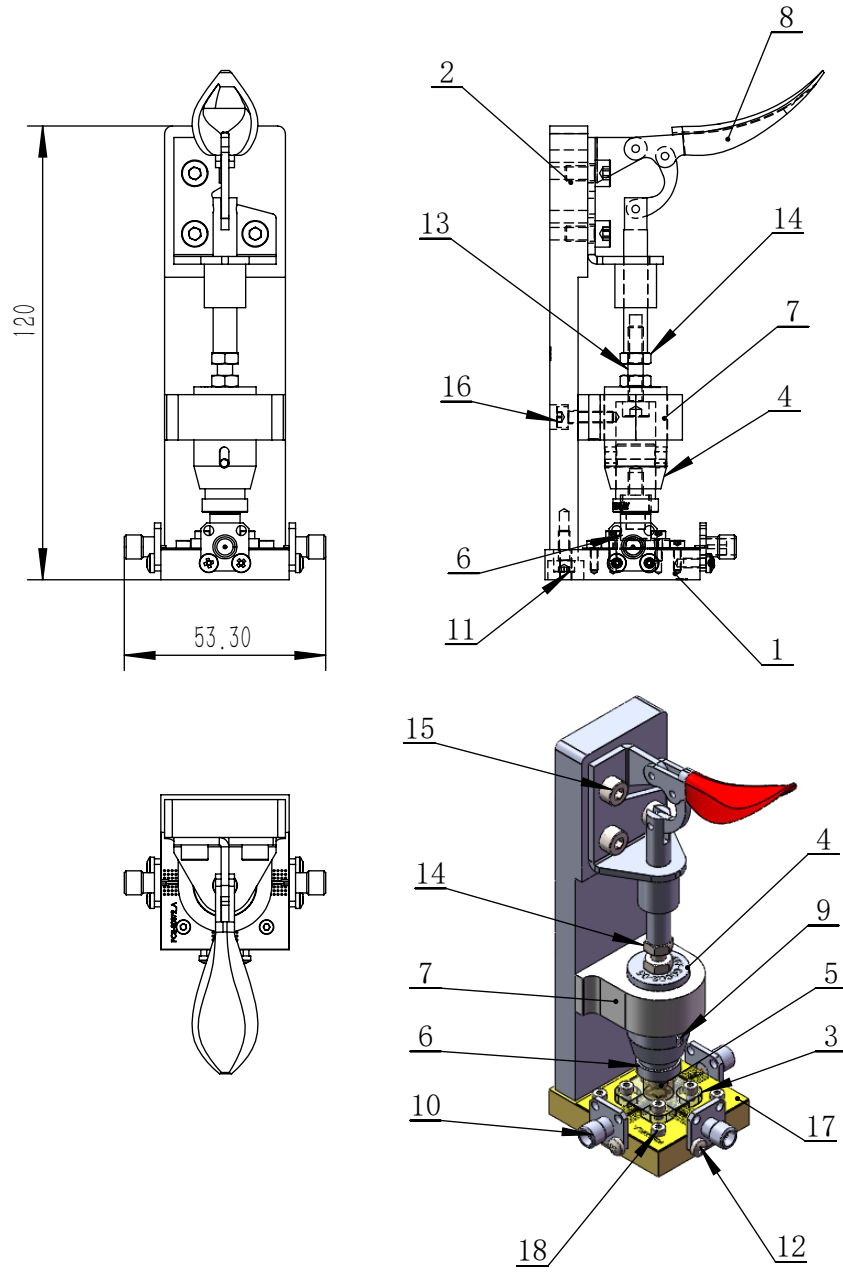



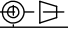
RoHS COMPLIANT

REVISIONS				
REV.	ECN NO.	DESCRIPTION	DATE	REVISOR
A	-	Producing release	2022/5/7	ZC.Wu



注：4和6之间内置弹簧SPR-00017
(线径1.2x外径10x长度15)

项目号	零件号	说明	数量
1	TFF-00097-01	Test Block	1
2	TFF-00012-01	Fixed Block	1
3	TFF-00097-03	Limited Block	1
4	TFF-00002-05	Pressure Head Fixing Seat	1
5	TFF-00097-05	Pressure Head	1
6	TFF-00097-06	Pressure Head	1
7	TFF-00002-02	Guide Block	1
8	TAS-00088	GH-301-AM	1
9	DOW-00002	DOWEL Φ2.0 x 16	1
10	con-00004	CONNECTOR SMA-F	3
11	SCR-00023	Screw 内六角圆柱头 M3x8	2
12	SCR-00001	SCREW 十字盘头 M2.5X6	6
13	SCR-00002	Screw 内六角圆柱头 M4X20	1
14	NUT-00001	M4 Nut	2
15	SCR-00004	Screw 内六角圆柱头 M4X8	3
16	SCR-00005	Screw 内六角圆柱头 M3x12	2
17	pcb-00072	PCB	1
18	SCR-00012	M2X6内六角螺丝	8

PART NAME: 测试夹具	Designed:	ZC. Wu		
	Checked:			
DRAWING NO. : TFF-00097	Approval:		TOLERANCES ON	
	The first angle projection: 			DECIMALS
DESCRIPTION: TEST FIXTURE	Sheet 1 of 1		±0.20	±0.5°
	Scale: 1:1	Unit: mm		