

Customer Code: _____

DATASHEET

DAPU P/N: DPF3225M0000EM0ZEB0

DAPU			Customer Approval
Drew	Audited	Approved	Stamp, please! Thanks!
Jieshu ZHENG	Jianhua LIN	Gangtao FENG	
Date :	2024/8/12		

Guangdong Dapu Telecom Technology Co.,Ltd

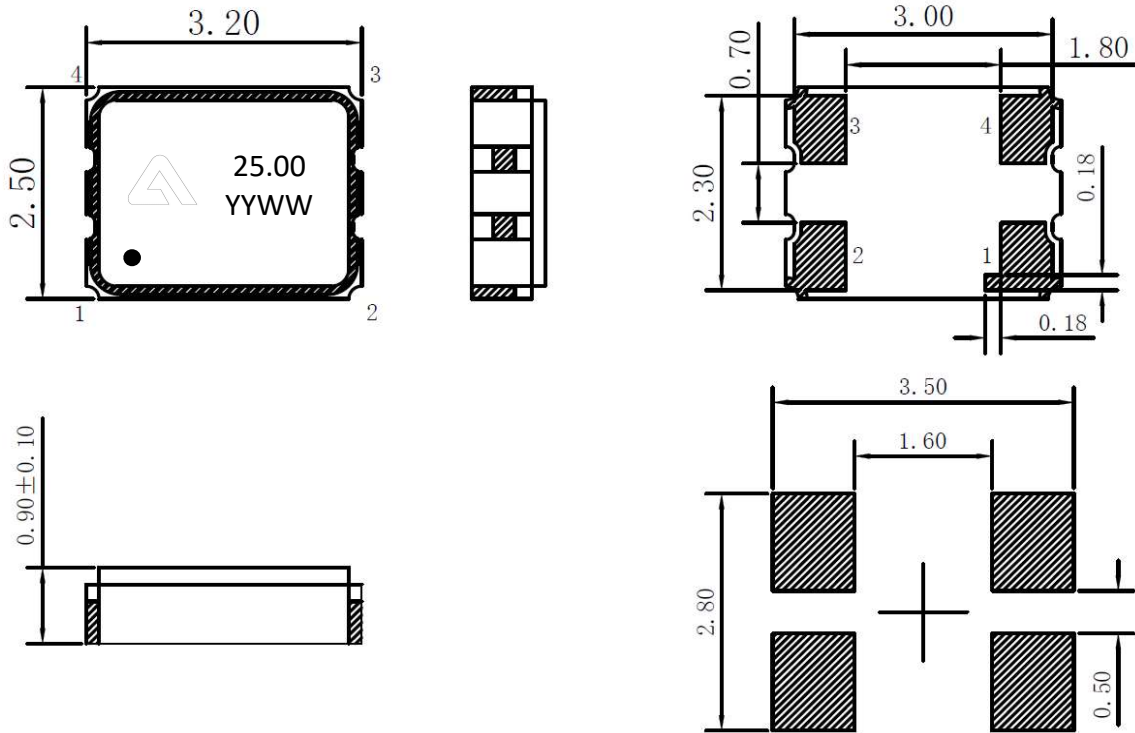
Bldg 5, SSL Modern Enterprise Accelerator Zone, Dongguan City, Guangdong Province, PRC China
TEL : 0086-0769-88010888 FAX : 0086-0769-81800098

1. Electrical Parameter

MODEL :		DPF3225M0000EM0ZEB0					
No.	Parameters	SYM.	Electrical Spec.				Notes
			Min.	Typ.	Max.	Units	
1	Nominal Frequency	FL	25.000			MHz	
2	Oscillation Mode	-	Fundamental			-	
3	Frequency Tolerance	-	-2		2	ppm	At 25°C
4	Frequency Stability	-	-5		5	ppm	Over Operating Temperature Range, measurement referenced to frequency observed with $f_{ref}=(f_{max}+f_{min})/2$.
5	Operating Temperature	Topr	-40		85	°C	
6	Storage Temperature	Tstg	-55		125	°C	
7	Supply Voltage	V _{DD}	1.71		3.63	V	
8	Current consumption	I _{cc}			8	mA	
9	Output waveform	-	CMOS				
10	Output Load	CL		15			
11	Output Voltage High	V _{OH}	0.9			V _{DD}	
12	Output Voltage Low	V _{OL}			0.1	V _{DD}	
13	Rise Time	Tr			5	ns	10% -90% V _{DD} Level
14	Fall Time	Tf			5	ns	90% -10% V _{DD} Level
15	Aging	-	-1		1	ppm	First Year at 25°C
16	Tri-State Output Enable	-	0.7			V _{DD}	Pin 1, OE
17	Tri-State Output Disable	-			0.3	V _{DD}	Pin 1, OE
18	Duty Cycle	-	45~55			%	
19	Start-Up Time	T _{start}			3	ms	Measured from the time V _{DD} reaches its rated minimum value
20	Standard	-	-			-	

2. Mechanical Structure

2.1 Dimensions

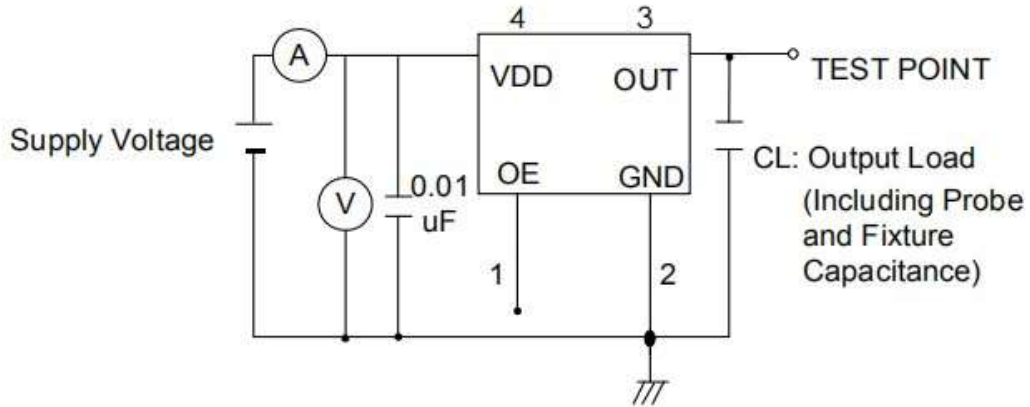


PIN NAME	CONNECTION
PIN1	OE
PIN2	GND
PIN3	OUTPUT
PIN4	VCC

2.2 Marking Information

25.00 :	Frequency 25.00MHz
:	DAPU Logo
YY:	Year
WW:	Week
:	Pin1 Index

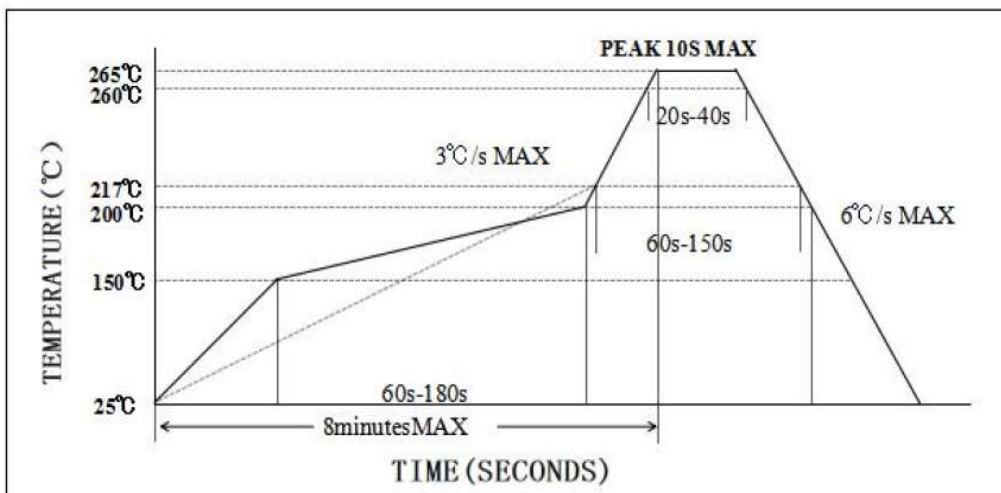
3. Test Circuit



Control input (output enable/disable)

Tri-State Pin	Output Pin
Logic 1 or open	Oscillator output
Logic 0	Disable output to high impedance

4. Reflow Soldering Curve (RoHS)



5. Package: Tape & Reel (mm)

