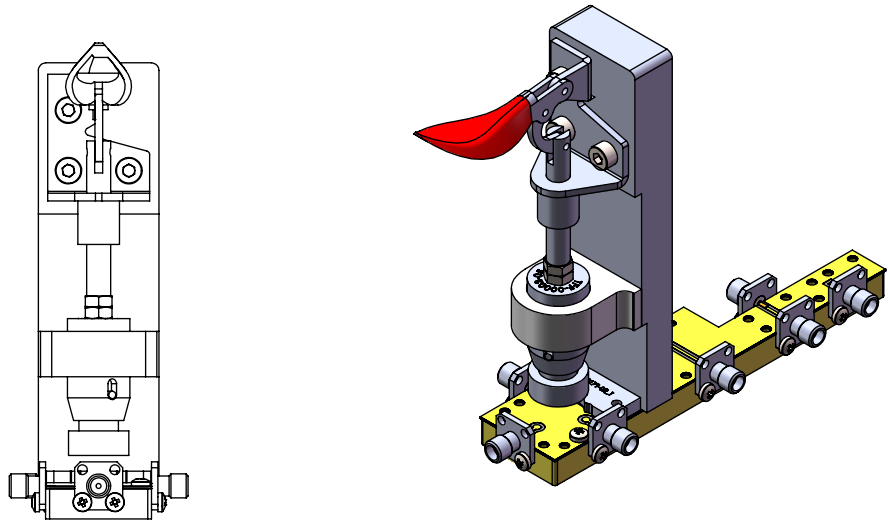
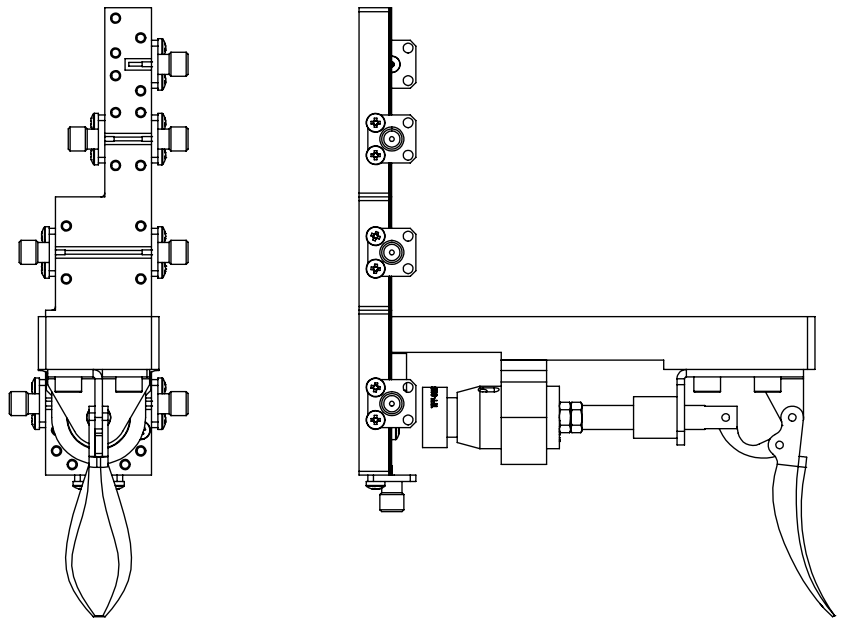


RoHS COMPLIANT

REVISIONS				
REV.	ECN NO.	DESCRIPTION	DATE	REVISOR
A	-	Producting release	2023/12/14	ZZ. Zhu



项目号	零件号	说明	数量
1	TFF-00171-01	Fixture	1
2	PCB-TFF-00171	PCB	1
3	CON-00001	CONNECTOR SMA-F	8
4	SCR-00001	SCREW 十字盘头 M2. 5X6	17
5	tff-00171-02	Limited Bolck	1
6	tff-00002-02	Guide Block	1
7	tff-00002-05	Pressure Head Fixing Seat	1
8	tff-00017-03	Pressure Head	1
9	TAS-00088	GH-301-AM	1
10	SCR-00002	Screw 内六角圆柱头 M4X20	1
11	NUT-00001	M4 Nut	2
12	SCR-00005	Screw 内六角圆柱头 M3x12	2
13	SCR-00004	Screw 内六角圆柱头 M4X8	3
14	DOW-00002	DOWEL Φ2.0 x 16	1
15	SCR-00023	Screw 内六角圆柱头 M3x8	2
16	tff-00171-03	Fixed Block	1



PART NAME:		Designed:	ZC. Wu	2023/12/14	DAPU	
直通夹具		Checked:	ZC. Wu	2023/12/14		
DRAWING NO.:		Approval:	KL. Wang	2023/12/14	TOLERANCES ON	
TFF-00171		The first angle projection:				
DESCRIPTION:		Sheet 1 of 1			DECIMALS	ANGLES
TEST FIXTURE		Scale:	Unit:	-	.x ±0.10	±0.5°
		1:1	mm		.xx ±0.05	
					.xxx ±0.02	