

CUSTOMER: _____

DATASHEET

PRODUCT TYPE: _____ DPTC2520 _____

DAPU P/N: T2520G-A5A9-26.00MHz

Plot			The Label
Drew	Audited	Approved	Stamp, please! Thanks!
Jianhua LIN	David	William	
Date: 2023.09.25			

Guangdong Dapu Telecom Technology Co.,Ltd

Building 5, No.24, Industrial East Road, Songshanhu Park, Dongguan, Guangdong, P.R. China

TEL: 0086-0769-88010888 FAX: 0086-0769-81800098



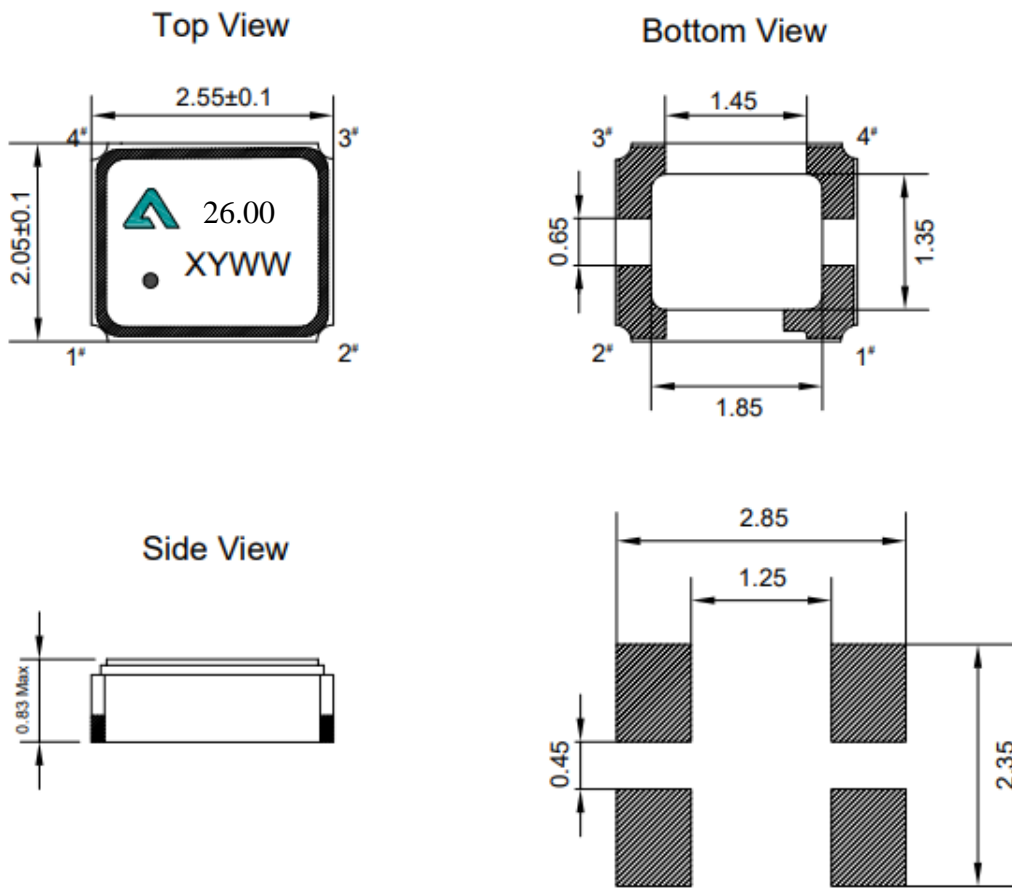
1. Electrical Parameters

MODEL: T2520G-A5A9-26.00MHz						
Item	Parameters	Specifications				Test Condition
		Min.	Typ.	Max.	Unit	
Output	Nominal Frequency	26			MHz	
	Output Waveform	Clipped Sine Wave				
	Output Level	0.8			Vp-p	
	Spurious Suppression			-8	dBc	
	Output Load	10KΩ//10pF				
Frequency Stabilities	Frequency Tolerance	-1.5		1.5	ppm	@25±2°C, after 2 times reflow soldering, Ref. to nominal frequency
	vs. Temperature	-0.5		0.5	ppm	T _A = -40°C ~ 85°C, VCC=3.3, Ref. to f = (fmax+fmin)/2
	vs. Supply Voltage	-0.1		0.1	ppm	VCC = 3.3±5% @ TA=25°C
	vs. Load	-0.1		0.1	ppm	Load = (10KΩ//10pF) ± 10%, VCC=3.3V @ TA=25°C
	Aging Tolerance	-1		1	ppm	@T _A =25°C, Year
	Jitter			8.5	ps	10Hz-1MHz
	Frequency Slope	-0.1		0.1	ppm/°C	T _A varied from -40°C to 85°C
Power Supply	Current consumption			2	mA	@TA=25°C, VCC=3.3V, Load=10KΩ//10pF.
	Start up Time			2	ms	More than 90% of final output voltage
	Supply Voltage	1.7	3.3	3.63	V	
SSB Phase Noise	Phase Noise@25±2°C			-80	dBc/Hz	10Hz
				-111		100Hz
				-140		1KHz
				-151		10KHz
				-156		100KHz
				-157		1MHz
Environmental Conditions	Operable Temperature	-40		85	°C	
	Storage Temperature	-55		105	°C	
	ESD Level	Human Body Model,class2: 3000V; ANSI/ESDA/JEDEC JS-001-2010.				
		Machine Model, class B: 200V; JEDEC JESD22-A115C.				
	Moisture Sensitivity Level	Level 1.				



	Vibration	Test Condition: 0.75mm ;acceleration:10g;10Hz~2000Hz, one cycle per 30 min, test 2 hour. (3 times for each 3 directions X ,Y , Z).IEC 68-2-06 Test Fc.
	Shock	100g; 6ms; half sine wave (3 times for each 3 directions X ,Y , Z),IEC 68-2-27 Test Ea/Severity 50A.
Full Package Storage	Relative humidity (%)	20%~70%
	Temperature (°C)	-10~35°C

2. Mechanical Structure(mm)





PIN NAME	CONNECTION
PIN1	NC
PIN2	GND
PIN3	OUTPUT
PIN4	VCC

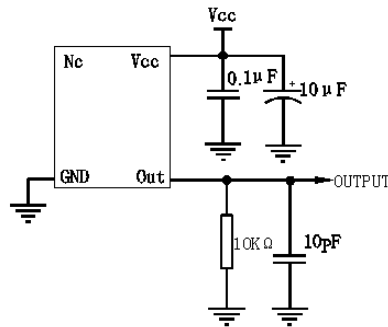
Note1: N/C is not connected



3. Marking Information

<p>26.00: Frequency 26.00Mhz</p> <p>:DAPU Logo</p> <p>X: Lot No.</p> <p>Y: Year</p> <p>WW: Week</p> <p>● : Pin1 Index</p>	
---	---

4. Test Circuit



5. Reflow Soldering Curve (RoHS)

