

Customer Code :

# DATASHEET

**DAPU P/N: DPB32156M250AH0CNB0**

Plot			The Label
Drew	Audited	Approved	Stamp, please! Thanks!
Lin Jianhua	David	William	
Date: 2024.05.14			

**Guangdong Dapu Telecom Technology Co.,Ltd**

Bldg 5, SSL Modern Enterprise Accelerator Zone, Dongguan City,  
Guangdong Province, PRC China

TEL:0086-0769-88010888

FAX:0086-0769-81800098



## 1. Electrical characteristic

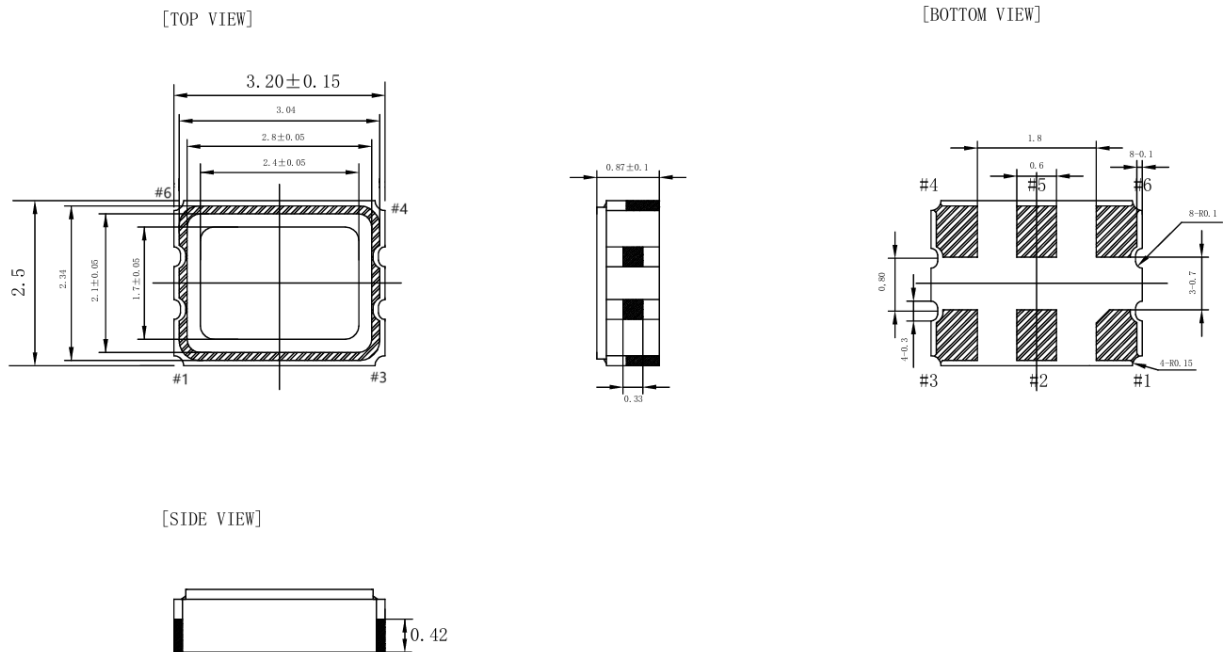
**MODEL: DPB32156M250AH0CNB0**

No.	Parameters	SYM.	Electrical Spec.				Notes
			Min.	Typ.	Max.	Units	
1	Nominal Frequency	FL	156.25			MHz	
2	Oscillation Mode	-	3rd			-	
3	Total Stability	-	-50		50	×10-6	Includes initial frequency tolerance, frequency temperature coefficient, frequency voltage coefficient, Output load, 5 year aging.
4	Operating Temperature	T-opr	-40		85	°C	
5	Storage Temperature	T-stg	-55		125	°C	
6	Supply Voltage	VDD	2.97	3.3	3.63	V	VDD±10%
7	Current Consumption	Idd			70	mA	ST = "H" or Floating, excluding load termination current.
		Idd_ST			10	uA	ST = "L"
8	Output waveform	-	LVPECL				
9	Output load	CL	50			Ω	Terminated to Vdd-2 V
10	Output Voltage High	VOH	Vcc-1.3		Vcc-0.9	V	
11	Output Voltage Low	VOL	Vcc-2.1		Vcc-1.7	V	
12	Rise/Fall Time	Tr/Tf			1	ns	@20%~80%
13	Aging	aging	-10		10	×10-6	At 25 °C, 10 years
14	Output Enable	-	VDD*0.7			V	For ST Pin
15	Output Disable	-			VDD*0.3	V	For ST Pin
16	Symmetry	SYM	45		55	%	
17	Start up time	T_str			10	ms	Measured from the time VDD reaches its rated minimum value.
18	RMS Jitter	Tpj			150	fs	12kHz to 20MHz



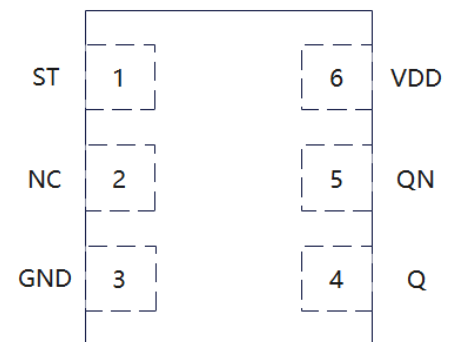
## 2. Machinal characteristic

### 2.1 Dimensions



### 2.2 Pin Description

Pin	No	Function	
1	ST	INPUT	H or Open: Frequency Output
			L: Output is high impedance
2	NC	NA	No Connect: Leave it floating or connect to GND
3	GND	Power	Power Supply Ground
4	Q	Output	Oscillator Output
5	QN	Output	Complementary Oscillator Output
6	VDD	Power	Power Supply VDD



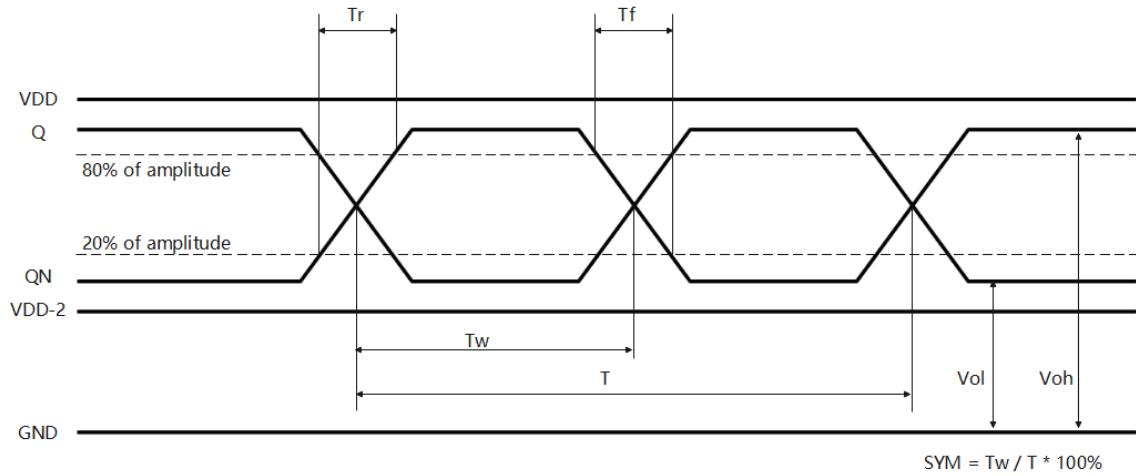
### 2.3 Marking

NO	Symbol	Function
1		DAPU LOGO
2	156.25	Frequency
3	YYWW	Manufactured day: YY: Year WW: Week
4	●	Pin 1

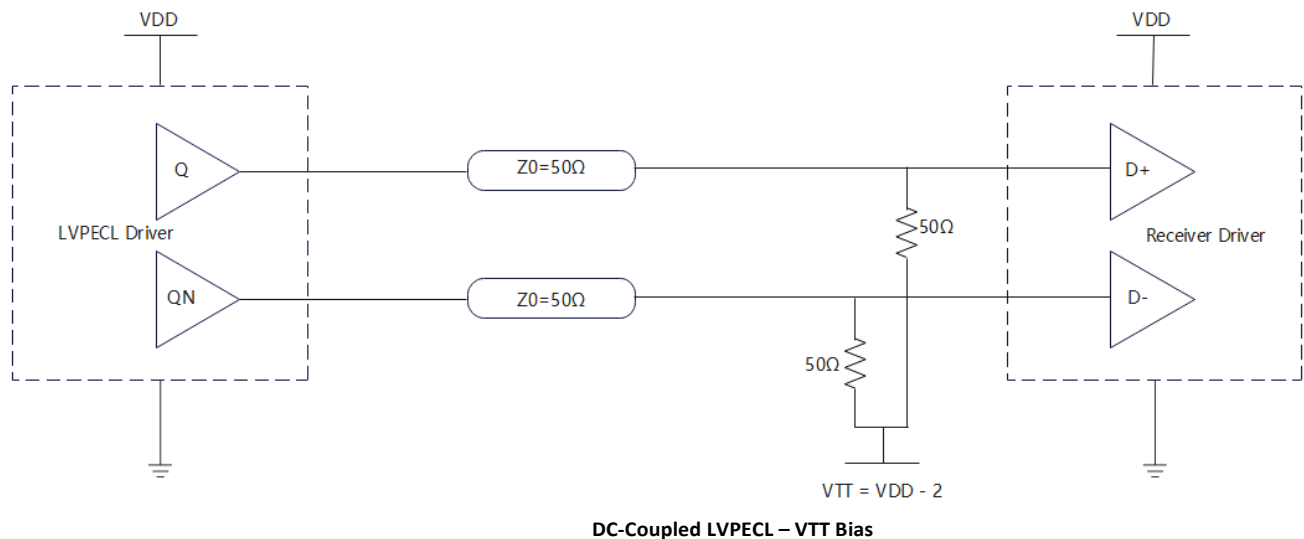
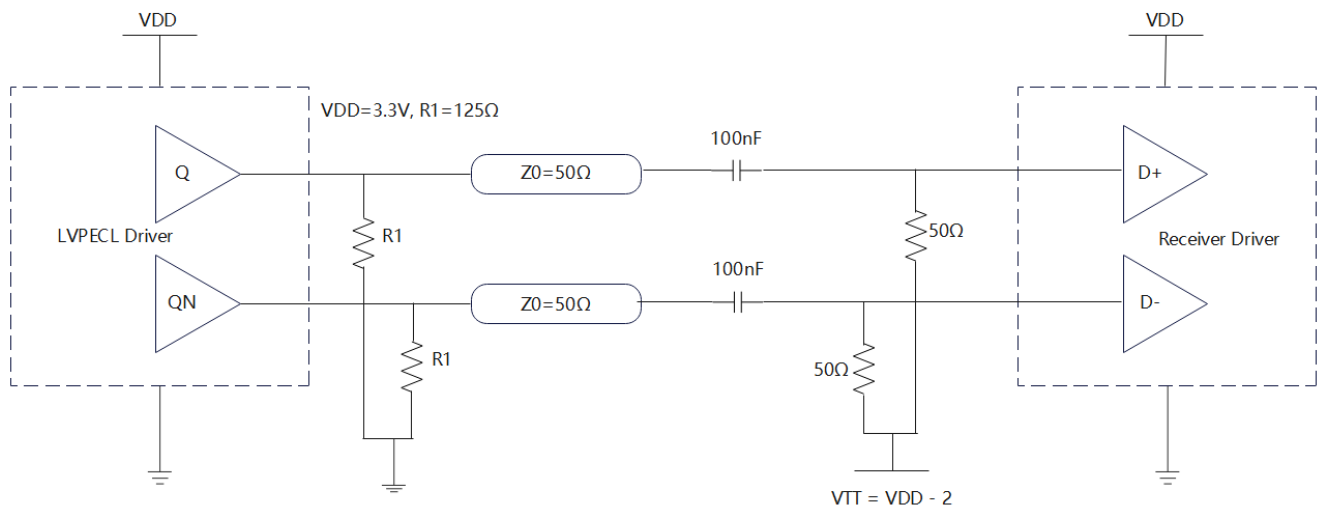


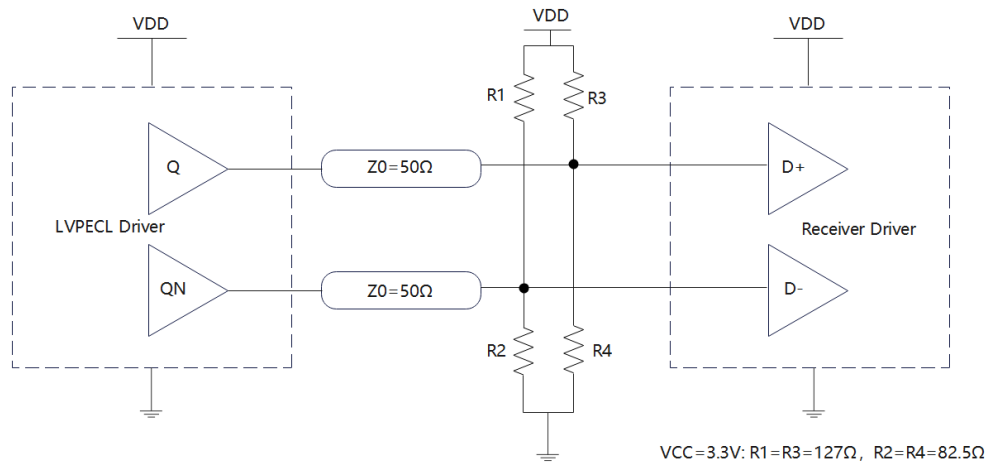


### 3. Waveform Diagrams

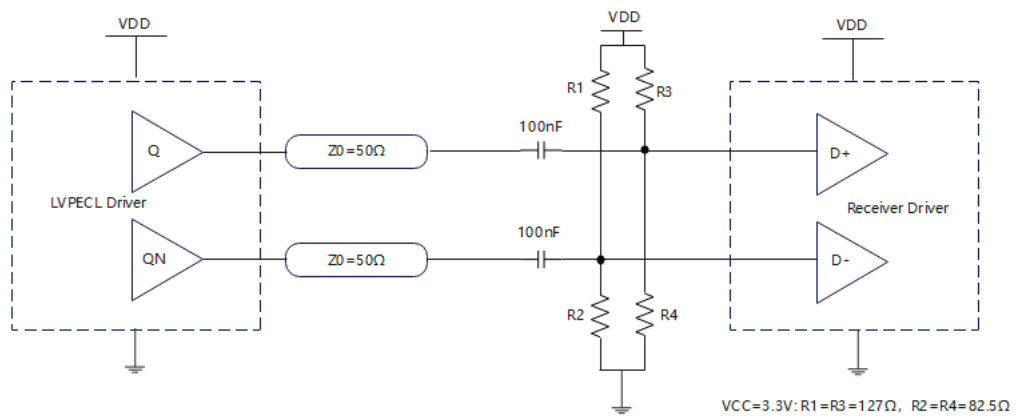


### 4. Termination Diagrams





DC-Coupled LVPECL – Thevenin Termination



AC-Coupled LVPECL – Thevenin Termination

## 5. ESD

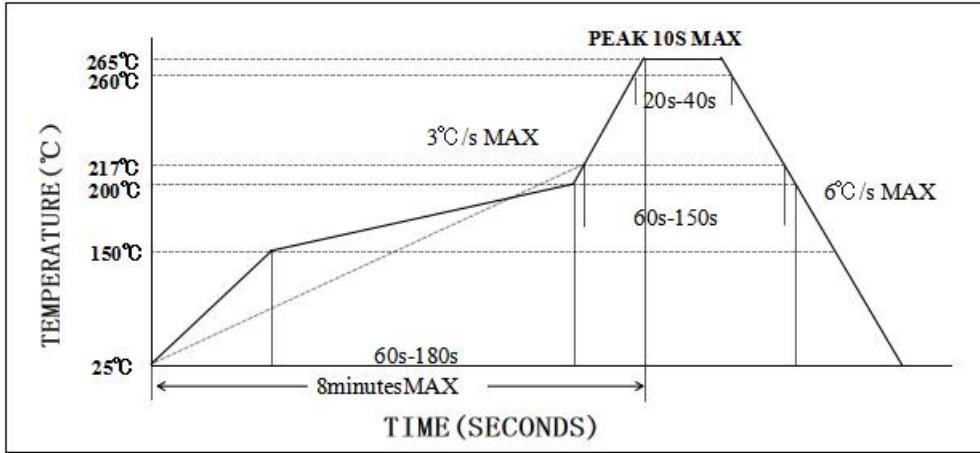
Table 1 ESD

Human Body Model (HBM)	2000V
Machine Model(MM)	200V

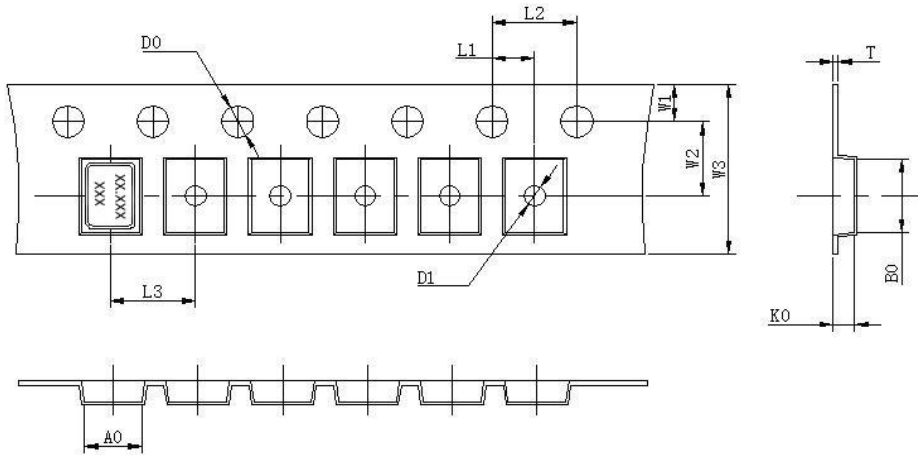
Reference Document: MIL-STD-883H



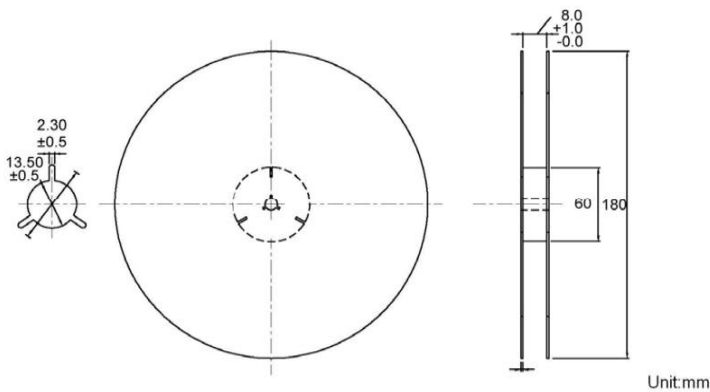
### 6. Solder Reflow Profile



### 7. Package Outline Drawing



L1	2.00±0.1
L2	4.00±0.1
L3	4.00±0.1
D0	1.55±0.05
D1	1.20±0.5
W1	1.75±0.1
W2	3.50±0.1
W3	8.00±0.2
A0	2.25±0.1
B0	2.7±0.1
K0	1.45±0.1
T	0.25±0.05





## 8. Reversion History

Version	Change Contents	Prepared by	Revised Date
V1.0	First issued	Lin Jianhua	2024.03.15