

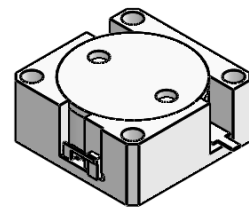


DP3407S

ENG PART:DP-20X20ID-600T700-CW

600MHz to 700MHz Single Junction Drop-in Isolator

| REV. | DESCRIPTION | REVISOR | DATE | APPROVED |
|------|--------------------|---------|----------|----------|
| 1 | Creating datasheet | ZC.Wu | 2024/8/5 | Nick |

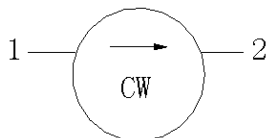


Applications:

- Wireless Infrastructure
- Power Amplifier

Features:

- Operating frequency range: 600MHz to 700MHz
- Operating temperature range: -40°C to +85°C
- Storage temperature range: -50°C to +125°C
- Small surface-mount package delivered on T&R
- BeOfree&RoHS compliant



Block Diagram



Electrical Specifications:

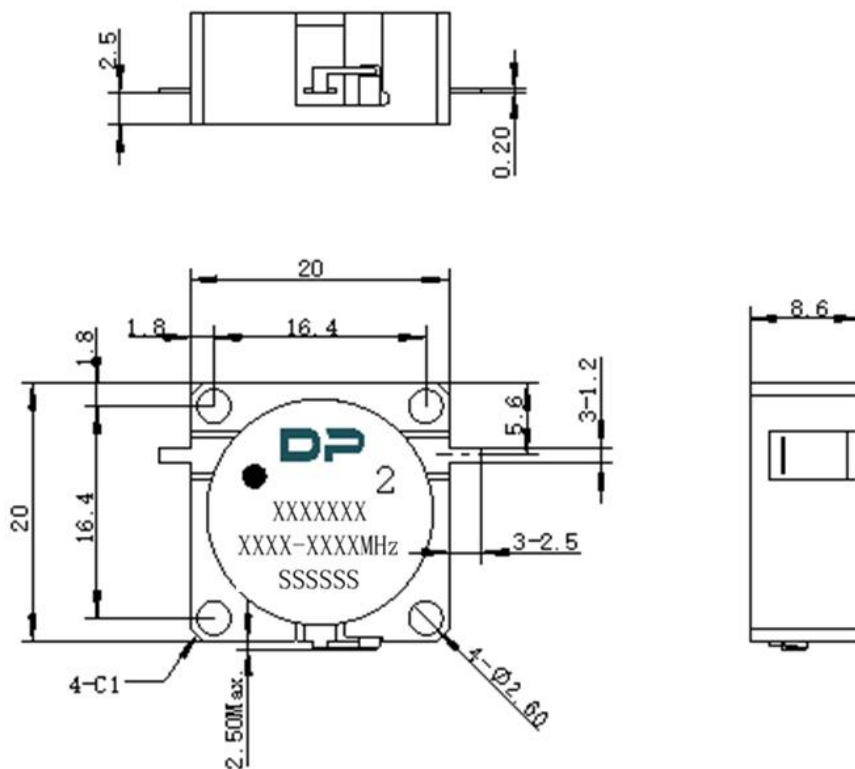
| ITEM | SPECIFICATION | |
|-----------------------------|---------------|----------|
| Frequency | 600~700 | MHz |
| Direction | CW | |
| Impedance | Typ: 50 | Ω |
| Insertion Loss (Max.) | 0.75 | dB |
| Isolation (Min.) | 14 | dB |
| Return Loss (Min.) | 13 | dB |
| 3rd IMD (Max.) | - | dBc |
| Group delay | - | ns |
| 2nd harmonic | - | dBc |
| 3rd harmonic | - | dBc |
| Power FWD/REV/PEAK | 50/20/500 | W |
| Termination/Attenuator | 30/- | W/dB |
| Input Impedance ,real | - | Ω |
| Input Impedance ,imaginary | - | Ω |
| Output Impedance ,real | - | Ω |
| Output Impedance ,imaginary | - | Ω |

Notes:

1. Exposure to maximum rating conditions for extended periods may reduce device reliability. There is no damage to device with only one parameter set at the limit and all other parameters set at or below their nominal value. Exceeding any of the limits listed here may result in permanent damage to the device.
2. Performance is guaranteed under the conditions listed in this table and over the operating temperature range.



Mechanical Specifications:



Unit: Millimeters

Notes:

1. The housing is nickel-plated and the tabs silver-plated.
2. Tolerance ± 0.2 mm unless otherwise specified.
3. Co-planarity Specification: 0.1 mm maximum.
4. Part Number, Lot Code, and Port Designation are printed on the top side of device.
5. The **XXXXXXX** on the label represents the part number
6. The **XXXX-XXXX** on the label represents the operating frequency
7. The **SSSSSS** on the label represents the serial number
8. The black dot on the label represents the input port