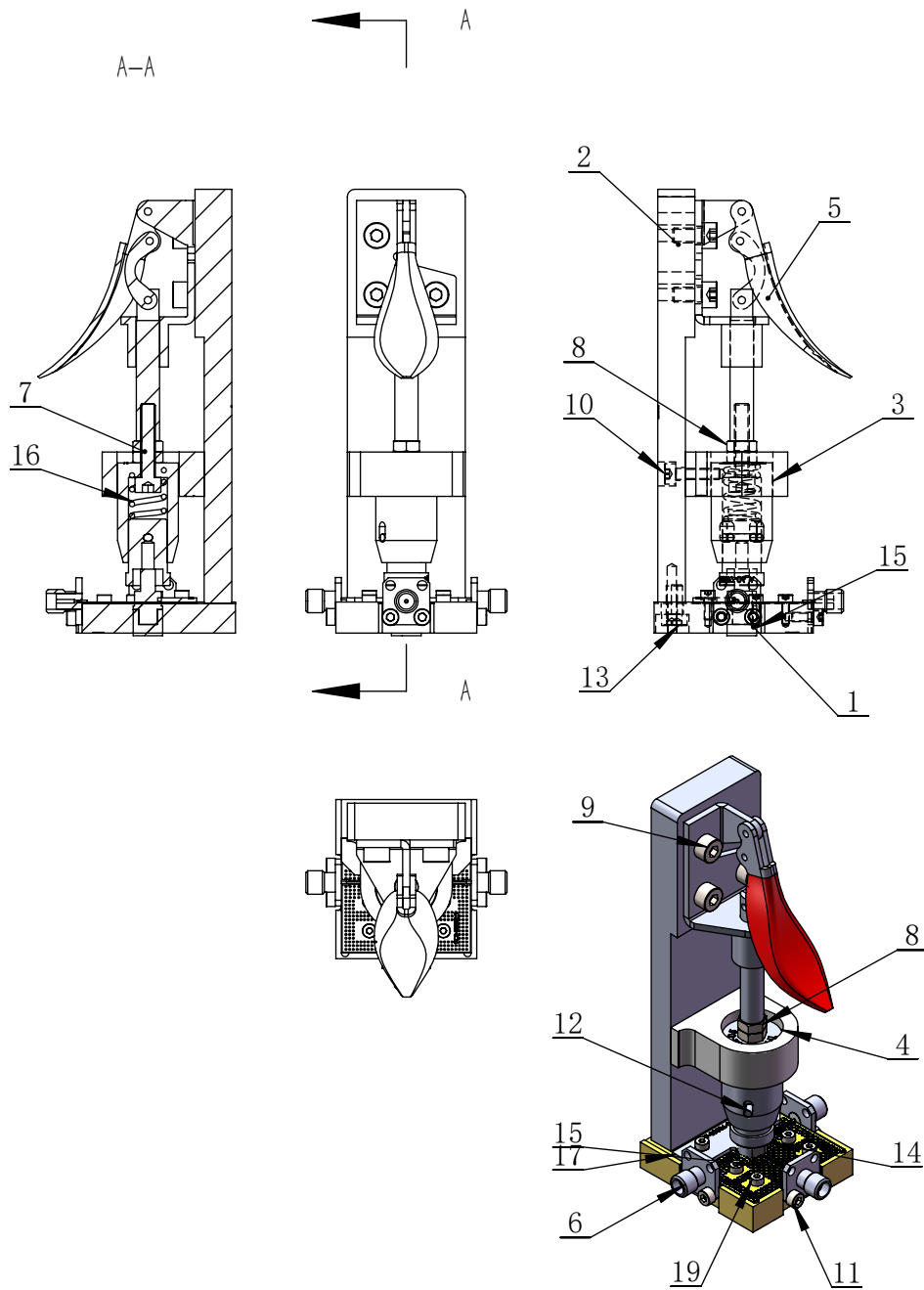


RoHS COMPLIANT

REVISIONS				
REV.	ECN NO.	DESCRIPTION	DATE	REVSITOR
A	/	Producing release	2023/6/13	ZZ. Zhu



项目号	零件号	说明	数量
1	TFF-00147-01	Test Block	1
2	TFF-00012-01	Fixed Block	1
3	TFF-00002-02	Guide Block	1
4	TFF-00002-05	Pressure Head Fixing Seat	1
5	TAS-00088	GH-301-AM	1
6	con-00004	CONNECTOR SMA-F	3
7	SCR-00002	Screw 内六角圆柱头 M4X20	1
8	NUT-00001	M4 Nut	2
9	SCR-00004	Screw 内六角圆柱头 M4X8	3
10	SCR-00005	Screw 内六角圆柱头 M3x12	2
11	SCR-00008	M2.5X6内六角螺丝	6
12	DOW-00002	DOWEL Φ2.0 x 16	1
13	SCR-00023	Screw 内六角圆柱头 M3x8	2
14	TFF-00097-06	Pressure Head	1
15	TFF-00097-05	Pressure Head	1
16	SPR-00002	SPRING	1
17	TFF-00086-02	Limited Block	1
18	pcb-00092	PCB	1
19	SCR-00012	M2X6内六角螺丝	6

PART NAME: 测试夹具	Designed:	ZZ. Zhu	2023/6/13		
	Checked:	ZC. Wu	2023/6/13		
DRAWING NO.: TFF-00147	Approval:	KL. Wang	2023/6/13	TOLERANCES ON	
	The first angle projection:				
DESCRIPTION: TEST FIXTURE	Sheet 1 of 1			DECIMALS	ANGLES
	Scale:	Unit:	-	.x ±0.10	±0.5°
	1:1	mm		.xx ±0.05	
				.xxx ±0.02	