

Customer Code: \_\_\_\_\_

# SPECIFICATION

DAPU P/N: DPX3132K7680C5A0

DAPU			Customer Approval
Drew	Audited	Approved	Stamp, please! Thanks!
Jack	David	William	
Date: 2022.04.21			

## Guangdong Dapu Telecom Technology Co.,Ltd

Building 5, No.24, Industrial East Road, Songshanhu Park, Dongguan, Guangdong, P.R. China

TEL: 0086-0769-88010888 FAX: 0086-0769-81800098



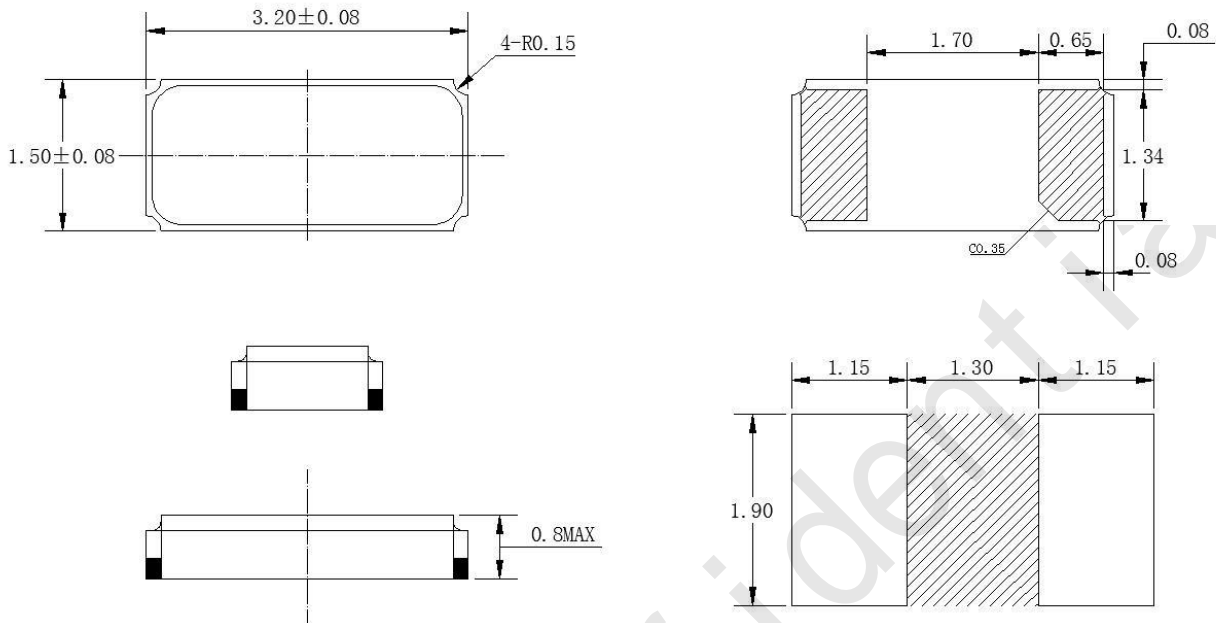
## 1、Electrical Parameters

MODEL: DPX3132K7680C5A0							
No.	Parameters	SYM.	Electrical Spec.				Notes
			Min.	Typ.	Max.	Units	
1	Nominal Frequency	FL	32.768			KHz	
2	Oscillation Mode	-	Fundamental				
3	Load Capacitance	CL	12.5			pF	
4	Frequency Tolerance	-	-20		+20	$\times 10^{-6}$	At 25°C
5	Temperature Coefficient	-	-0.028	-0.034	-0.040	ppm/(°C) <sup>2</sup>	
6	Operating Temperature	Topr	-40	~	+85	°C	
7	Storage Temperature	Tstg	-55		+125	°C	
8	Drive Level	DL			1	$\mu$ W	
9	Equivalent Series Resistance	ESR			70	K $\Omega$	
10	Shunt Capacitance	C <sub>0</sub>		1.2		pF	
11	Motional Capacitance	C <sub>1</sub>		4.1		fF	
12	Quality Factor	Q	15000				
13	Insulation Resistance	IR	500			M $\Omega$	At DC 100V
14	Aging	-	-3		+3	$\times 10^{-6}$	First year at 25°C



## 2、Mechanical Structure

### 2.1 Dimensions



Unit: mm

Note1: Tolerance  $\pm 0.1$  mm without mark

### 2.2 Marking



----- DAPU LOGO

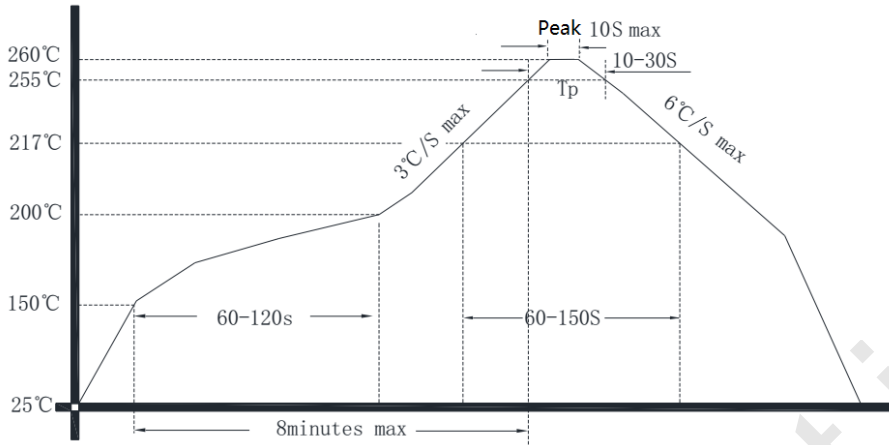
32.768 ----- Frequency

XXYY ----- Manufactured day: XX YY  
Year Week

for example, 2208 means the manufactured day is the 8th week of 2022.



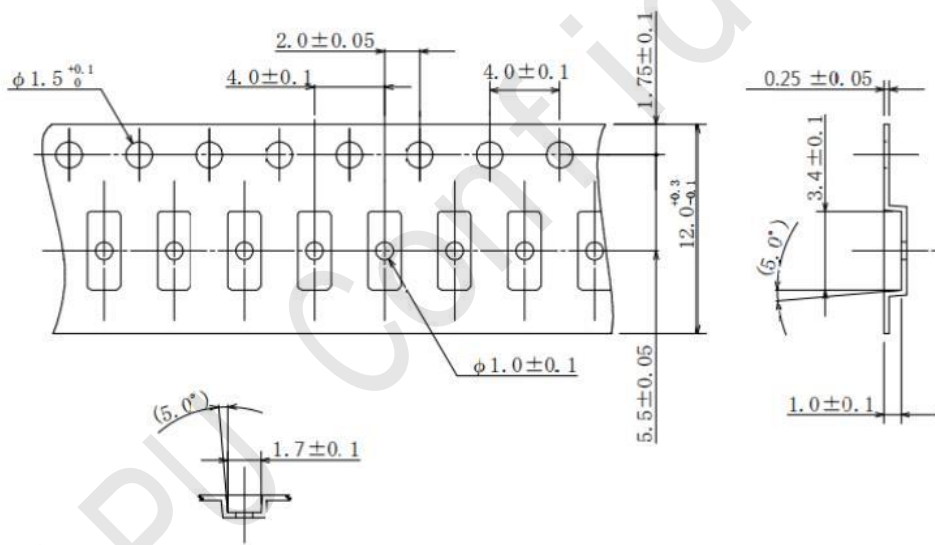
### 3、Reflow Soldering Curve



REFER: JEDEC J-STD-020D

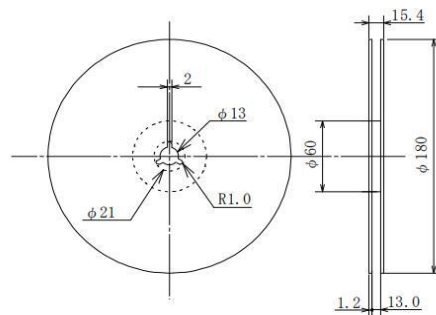
### 4、Packing Information

#### 4.1 Tape Dimensions



Unit: mm

#### 4.2 Reel Dimensions



Unit: mm