

Customer Code: _____

DATASHEET

DAPU P/N: **DP7X4800008**

DAPU			Customer Approval
Drew	Audited	Approved	Stamp, please! Thanks!
Date: 2022.01.15			

Guangdong Dapu Telecom Technology Co.,Ltd

Building 5, No.24, Industrial East Road, Songshanhu Park, Dongguan, Guangdong, P.R. China

TEL: 0086-0769-88010888 FAX: 0086-0769-81800098



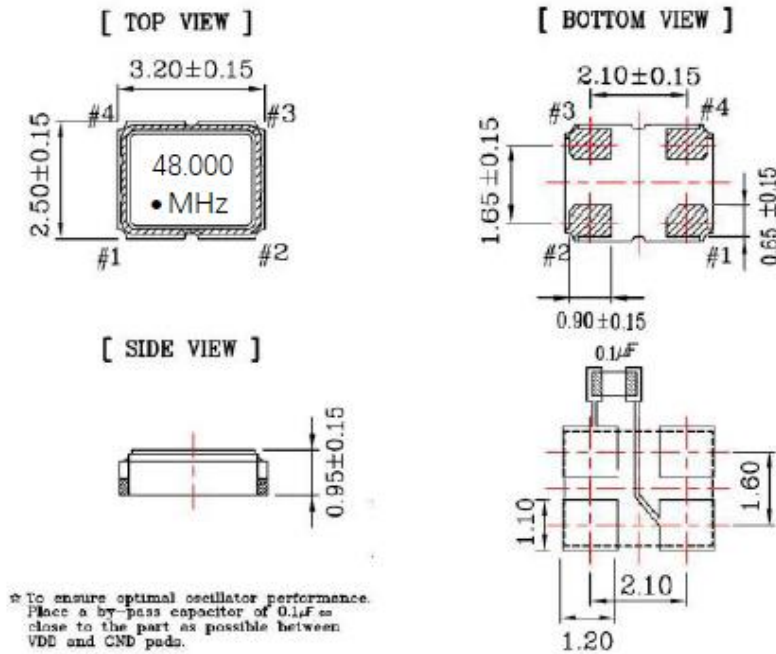
1、Electrical Parameters

MODEL: DP7X4800008							
No.	Parameters	SYM	Electrical Spec.				Notes
			Min.	Typ.	Max.	Units	
1	Nominal Frequency	FL	48.00			MHz	
2	Output Waveform		CMOS				
3	Symmetry	-	45	50	55	%	
4	Initial Frequency Tolerance		-10		+10	$\times 10^{-6}$	
5	Frequency stability		-15		+15	$\times 10^{-6}$	
6	Operating Temperature	Topr	-40		+85	$^{\circ}\text{C}$	The operating temperature range over which the frequency stability is measured.
7	Storage Temperature	Tstg	-55	~	+125	$^{\circ}\text{C}$	
8	Supply Voltage	Vcc	2.97	3.3	3.63	V	
9	Supply Current	Icc			10	mA	
10	Output Load:	CL			15	pF	
11	Aging First Year		-3		+3	$\times 10^{-6}$	
12	Start up time				2	ms	
13	Rise/ Fall Time	Tr/Tf	-	-	5	ns	
14	“H” Onput Voltage	VOH	Vdd*0.9			V	
15	“l” Onput Voltage	VOL			Vdd*0.1	V	
16	Output Enable		0.7*Vdd or Floating			V	Pin 1 Tri-state
17	Output Disable				0.3*Vdd	V	



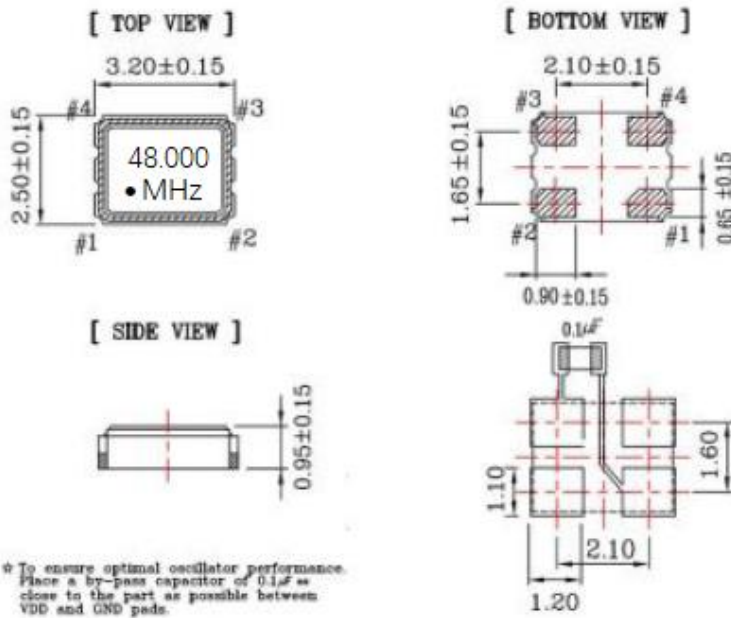
2、Mechanical Structure(mm)

A:



Pin	Function
#1	Tri-State
#2	GND
#3	Output
#4	V _{DD}

B:

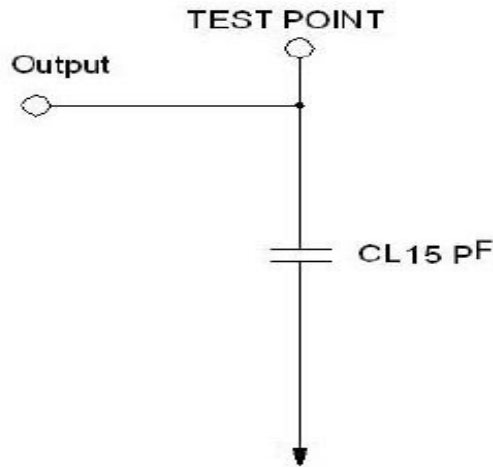


Pin	Function
#1	Tri-State
#2	GND
#3	Output
#4	V _{DD}

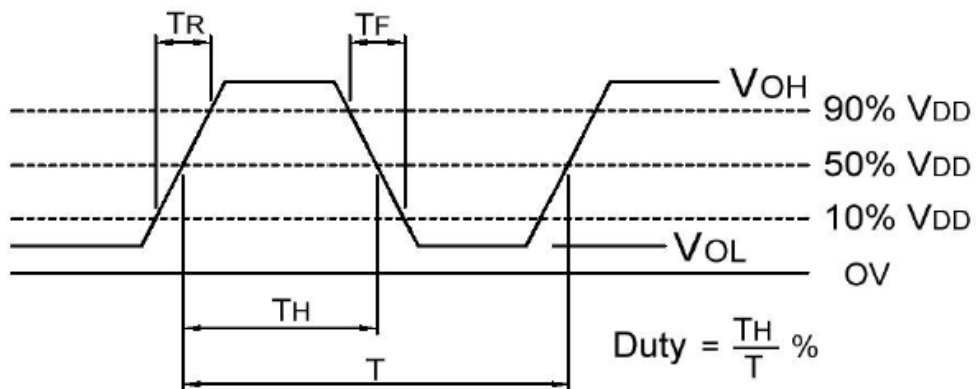
Note1:Tolerance ±0.2mm without mark



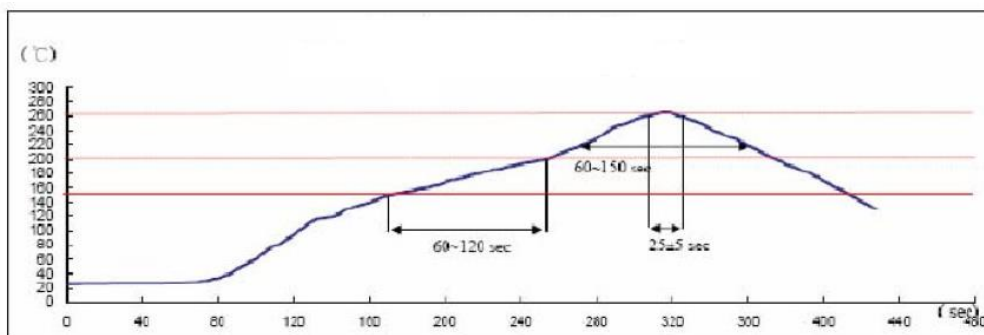
3、 Test Circuit



4、 Output Waveform(CMOS Load)



5、 Recommended Ir Reflow Profile



IR-Reflow Test

Reference Standard : JEDEC-STD 020

Test Conditions: Pre-heating : 150°C to 200 °C , 60~120 sec

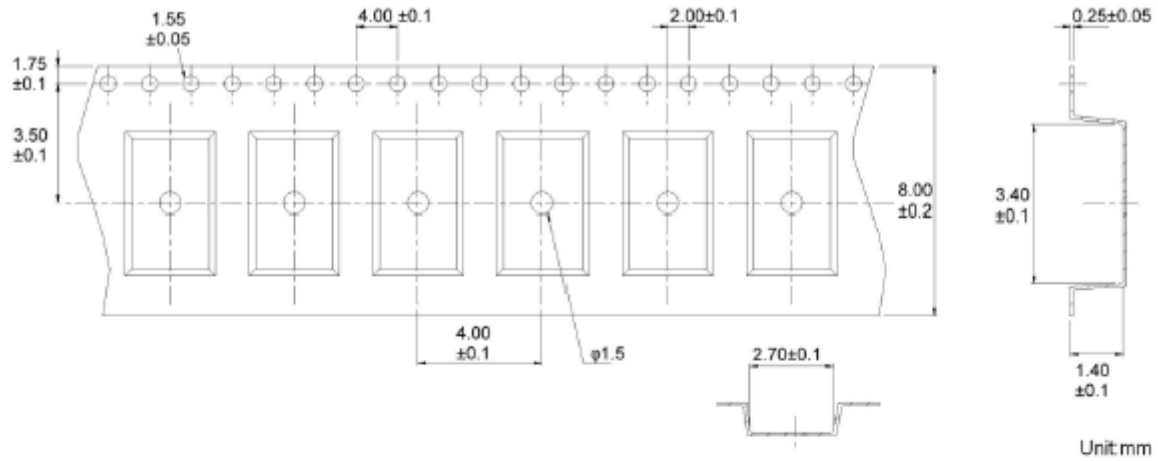
Heating : 217 °C , 60~150 sec

Peak Temperature : 260±5 °C , 25±5 sec

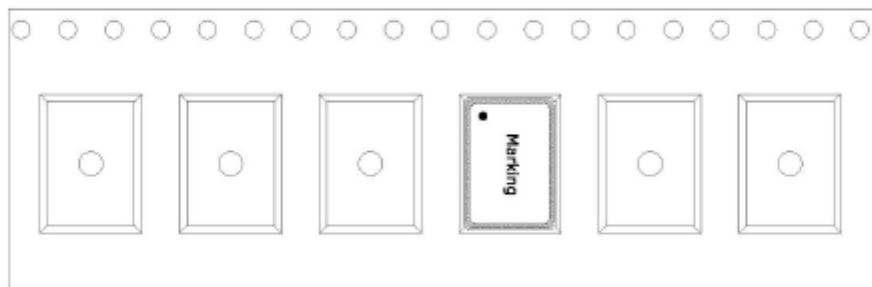


6、 Package: Tape & Reel (mm)

➤ TAPE (CARRIER) DIMENSIONS



➤ THE DIRECTION OF PACKING



➤ REEL DIMENSIONS

