

Travelling Merchant: \_\_\_\_\_

# DATASHEET

Standard:                   **DPAF32768014**                  

Plot			The Label
Drew	Audited	Approved	Stamp, please! Thanks!
Date: 2023.09.12			

## Guangdong Dapu Telecom Technology Co.,LTD

Building 5, No.24, Industrial Road East, Songshanhu Park, Dongguan, Guangdong, P.R. China

TEL: 0086-0769-88010888 FAX: 0086-0769-81800098

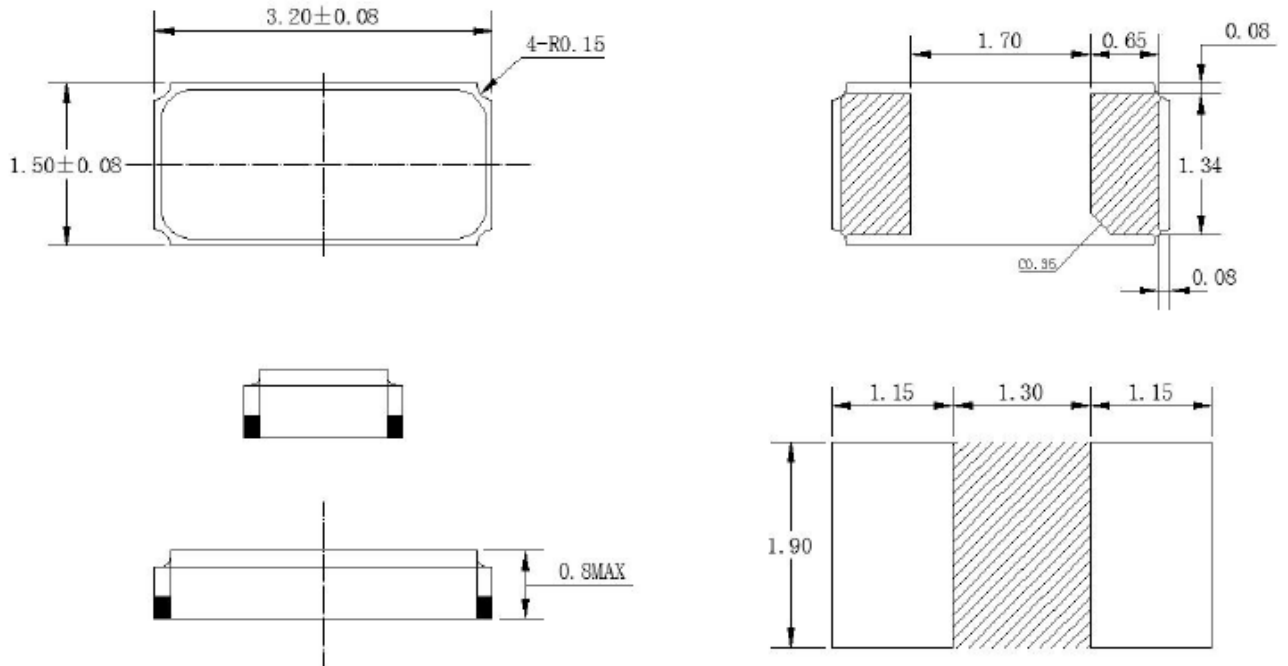


## 1、 Electrical Parameters

MODEL: DPAF32768014							
No.	Parameters	SYM.	Electrical Spec.				Notes
			Min.	Typ.	Max.	Units	
1	Nominal Frequency	FL	32.768			KHz	
2	Oscillation Mode	-	Fundamental			-	
3	Load Capacitance	CL	7			pF	
4	Frequency Tolerance	FL	-20	~	+20	$\times 10^{-6}$	at 25°C± 2°C
5	Parabolic Coefficient	B	-0.04	~	-0.028	ppm/°C <sup>2</sup>	
6	Temperature inflection point	Ti		+25		°C	
7	Operating Temperature	-	-40	~	+85	°C	
8	Storage Temperature Range	-	-55	~	+125	°C	
9	Aging	-	-3	~	+3	$\times 10^{-6}$	First year
10	Drive Level	DL	-	0.1	1	uW	
11	Equivalent Series Resistance	Rr	-	-	70	KΩ	
12	Shunt Capacitance C0	C0	0.7	1.2	1.5	pF	
13	Motional Capacitance	C1	2.2	4.2	6.2	fF	
14	Insulation Resistance	-	500	-	-	MΩ	at DC 100V




## 2、Mechanical Structure(mm)



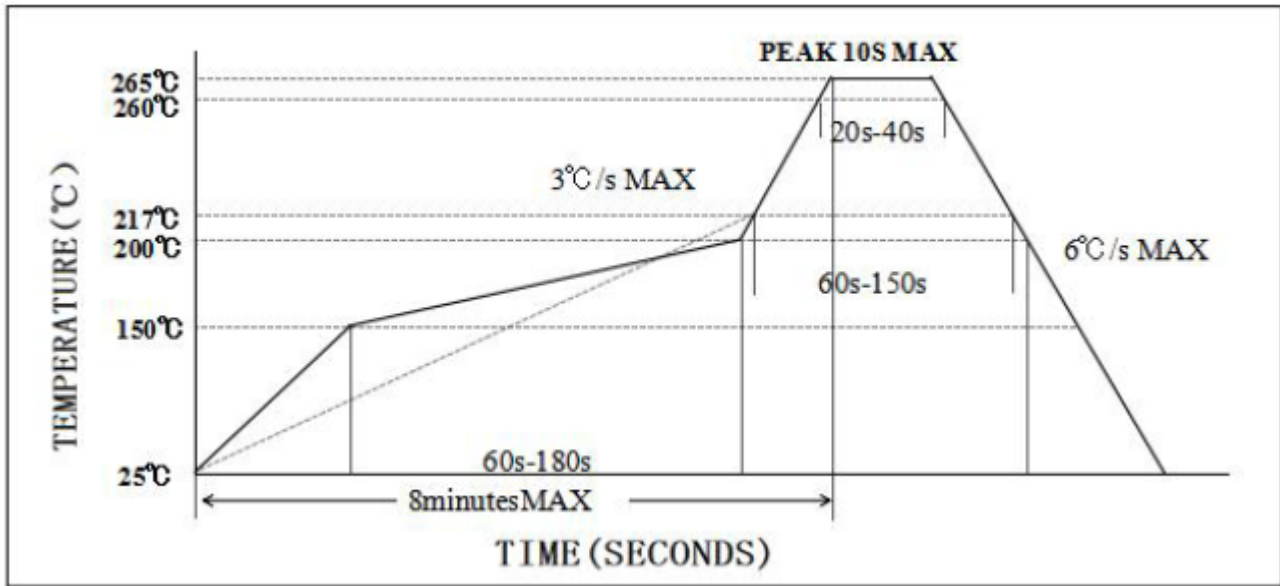
Marking:



 ——— LOGO  
 XX ——— year  
 YY ——— week



### 3、Reflow Soldering Curve (RoHS)



### 4、Package: Tape & Reel (mm)

