

Travelling Merchant: \_\_\_\_\_

# DATASHEET

Standard:     **T21-K579-26.00MHz**    

P/N: \_\_\_\_\_

Plot			The Label
Drew	Audited	Approved	Stamp, please! Thanks!
Date: 2019.03.25			

**Guangdong Dapu Telecom Technology Co.,Ltd**

Bldg13-16,.N.Ind.Zone,SSL Industry Park, Dongguan City, Guangdong Province, China

TEL: 0086-0769-88010888 FAX: 0086-0769-81800098



**Table of amendment**

Version	Revision contents	Prepared by	Revised date
1.0	The first issued	<i>Amway</i>	2019.03.25



## 1. Electrical Parameters

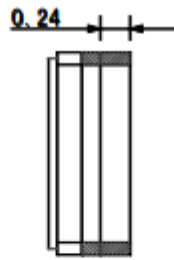
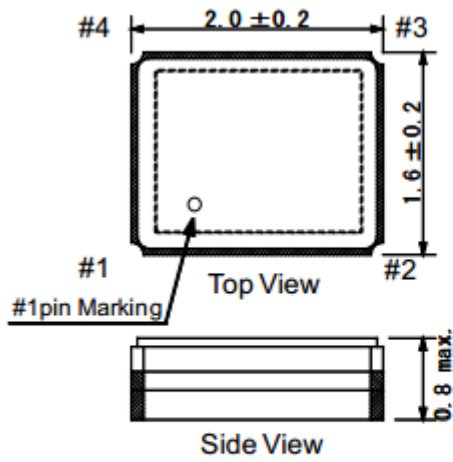
MODEL: T21-K579-26.00MHz						
Item	Description	Parameters			Unit	Test Condition
		Min.	Typ.	Max.		
Output	Frequency	26.00			MHz	
	Output Waveform	Clipped Sine Wave				
	V <sub>p-p</sub>	0.8		1.2	V	
	Start up time			2	ms	
	Spurious Suppression			-10	dBc	
	Load	10KΩ//10pF				
Frequency Stabilities	Frequency Tolerance	-2		+2	× 10 <sup>-6</sup>	@25°C
	vs. Temperature Range	-0.5		+0.5	× 10 <sup>-6</sup>	T <sub>A</sub> varied from -30°C to 85°C, measurement referenced to frequency observed with f <sub>ref</sub> =(f <sub>max</sub> +f <sub>min</sub> )/2, V <sub>cc</sub> =1.7V~3.0V, O <sub>load</sub> =10KΩ//10pF, temperature variable speed less than 2°C per minute.
		-3		+3	× 10 <sup>-6</sup>	T <sub>A</sub> varied from -40°C to -30°C, measurement referenced to frequency observed with f <sub>ref</sub> =(f <sub>max</sub> +f <sub>min</sub> )/2, V <sub>cc</sub> =1.7V~3.0V, O <sub>load</sub> =10KΩ//10pF, temperature variable speed less than 2°C per minute.
	Frequency Tolerance vs. Supply Voltage	-0.1		+0.1	× 10 <sup>-6</sup>	5% Voltage change measurement referenced to frequency observed T <sub>A</sub> =25°C, and O <sub>Load</sub> =10KΩ//10pF.
	Frequency Tolerance vs. Load	-0.2		+0.2	× 10 <sup>-6</sup>	10% load change measurement referenced to frequency observed with T <sub>A</sub> =25°C, V <sub>cc</sub> =1.7V~3.0V, and O <sub>Load</sub> =10KΩ//10pF.
	Aging Tolerance 1 Year	-1		+1	× 10 <sup>-6</sup>	T <sub>A</sub> =25°C, V <sub>cc</sub> =1.7V~3.0V, and after 1h of operation
	Aging Tolerance 10 Year	-4		+4	× 10 <sup>-6</sup>	
	Jitter			8.5	ps	10Hz-1MHz
Frequency Slope	-0.1		+0.1	× 10 <sup>-6</sup> /°C	T <sub>A</sub> varied from -30°C to 85°C	
	-0.5		+0.5	× 10 <sup>-6</sup> /°C	T <sub>A</sub> varied from -40°C to -30°C	
Power Supply	Operating Current			2	mA	@25°C, V <sub>cc</sub> =1.7V~3.0V
	Supply Voltage	1.7		3.0	V	



Phase Noise	Phase Noise			-78	dBc/Hz	10Hz
				-106		100Hz
				-130		1KHz
				-148		10KHz
Environmental Conditions	Operable Temperature	-40		+85	°C	
	Storage Temperature	-55		+125	°C	
	ESD Level	Human Body Model,class2: 2000V to 4000V; ANSI/ESDA/JEDEC JS-001-2010.				
		Machine Model, class B: 200V to 400V; JEDEC JESD22-A115C.				
	Moisture Sensitivity Level	Level 2.				
	Vibration	Test Condition: 0.75mm ;acceleration:10g;10Hz~2000Hz, one cycle per 30 min, test 2 hour. (3 times for each 3 directions X ,Y , Z) .IEC 68-2-06 Test Fc.				
Shock	100g; 6ms; half sine wave (3 times for each 3 directions X ,Y, Z ),IEC 68-2-27 Test Ea/Severity 50A.					
Full Package Storage	Relative humidity (%)	20% ~70%				
	Temperature (°C)	-10~35°C				

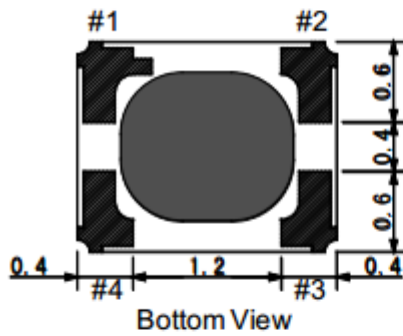


## 2. Mechanical Structure(mm)



Note1  
Terminal Coplanarity:80um max

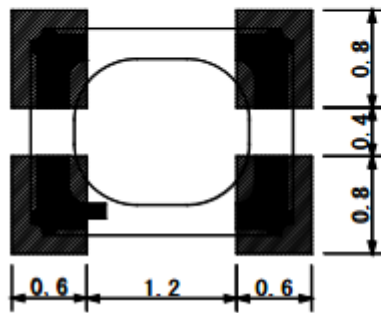
Note2  
Electrode : Cu + Ni + Au  
(10μ min+3μ min+0.03μ min)



	Pin Connection
# 1 pin	NC
# 2 pin	GND
# 3 pin	Output
# 4 pin	Vcc

Unit: mm

Recommended Land Pattern

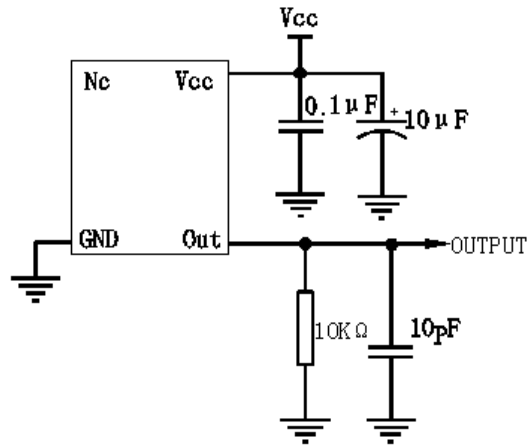


Note1: Tolerance  $\pm 0.2\text{mm}$  without mark

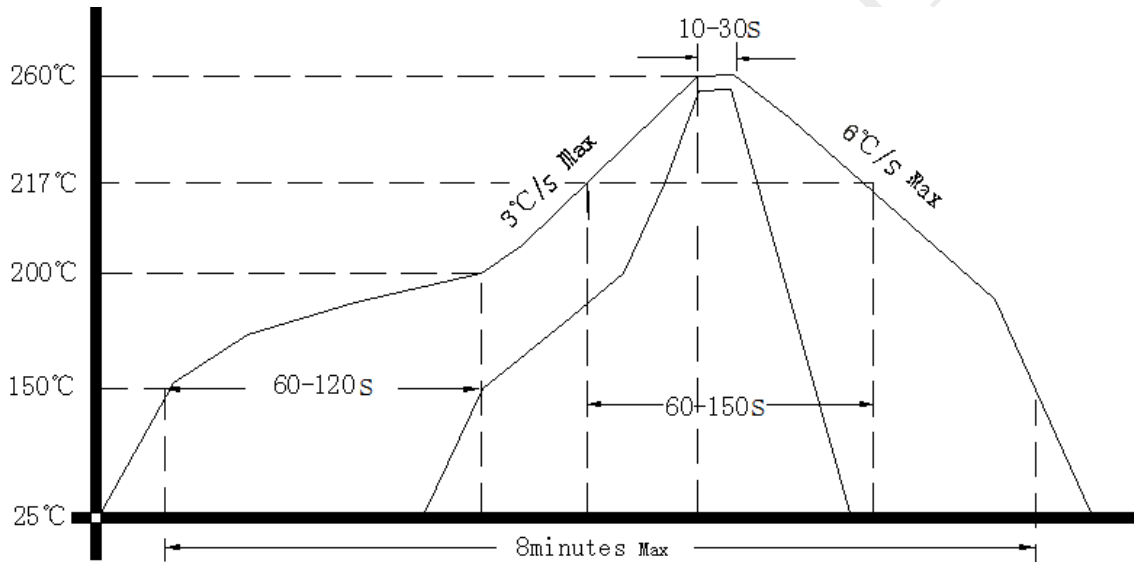
Note2: Referential weight 0.008g



### 3. Test Circuit



### 4. Reflow Soldering Curve (RoHS)



### 5. Package: Tape & Reel (mm)

