

Customer Code: _____

DATASHEET

DAPU P/N: DPHC15625002

DAPU			Customer Approval
Drew	Audited	Approved	Stamp, please! Thanks!
Jieshu ZHENG	Jianhua LIN	Gangtao FENG	
Date: 2023.09.15			

Guangdong Dapu Telecom Technology Co.,Ltd

Building 5, No.24, Industrial East Road, Songshanhu Park, Dongguan, Guangdong, P.R. China

TEL: 0086-0769-88010888 FAX: 0086-0769-81800098

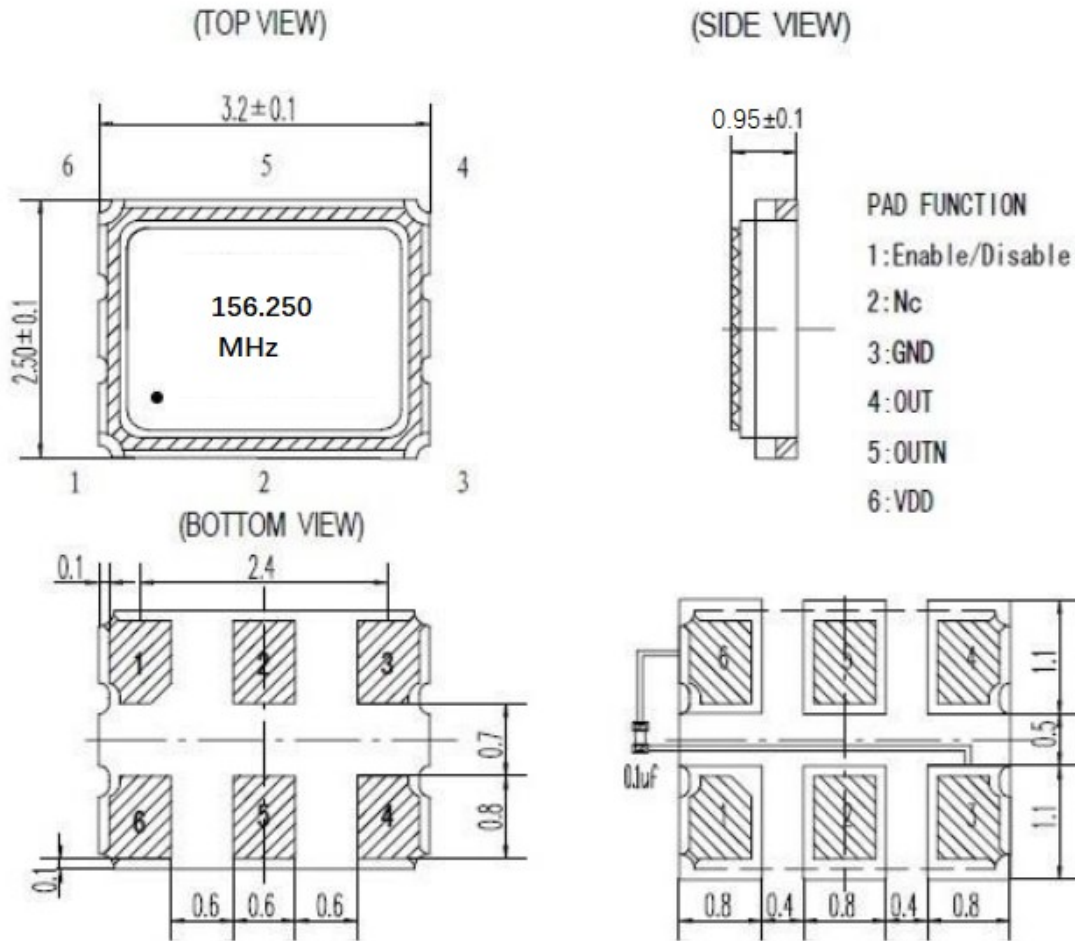


1、Electrical Parameters

MODEL: DPHC15625002							
No.	Parameters	SYM	Electrical Spec.				Notes
			Min.	Typ.	Max.	Units	
1	Nominal Frequency	FL	156.25			MHz	
2	Output Waveform		HCSL				
3	Output Load:	CL	50			Ω	
4	Symmetry	-	45		55	%	
5	Frequency Tolerance	FT	-10		+10	$\times 10^{-6}$	
6	Frequency Tolerance vs. Operating Temperature Range	TC	-15		+15	$\times 10^{-6}$	
7	Operating Temperature	Topr	-40		+85	$^{\circ}\text{C}$	
8	Storage Temperature	Tstg	-55	~	+125	$^{\circ}\text{C}$	
9	Supply Voltage	Vcc	2.97	3.3	3.63	V	
10	Supply Current	Icc	-	-	40	mA	
11	Aging First Year		-3		+3	$\times 10^{-6}$	
12	Start up time		-	-	10	ms	
13	Rise/ Fall Time	Tr/Tf	-	-	0.5	ns	20%-80% Vdd Level
14	“H” Output Voltage	VOH	550		850	mV	
15	“l” Output Voltage	VOL	-150	0	150	mV	
16	Output Enable		0.7*Vdd or Floating	-	-	V	Pin 1 Tri-state
17	Output Disable		-	-	0.3*Vdd	V	
18	Jitter RMS		-	-	0.15	ps	

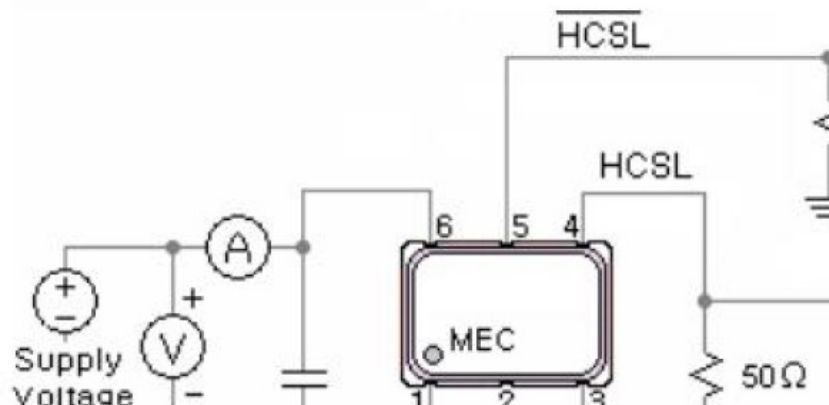


2、Mechanical Structure(mm)



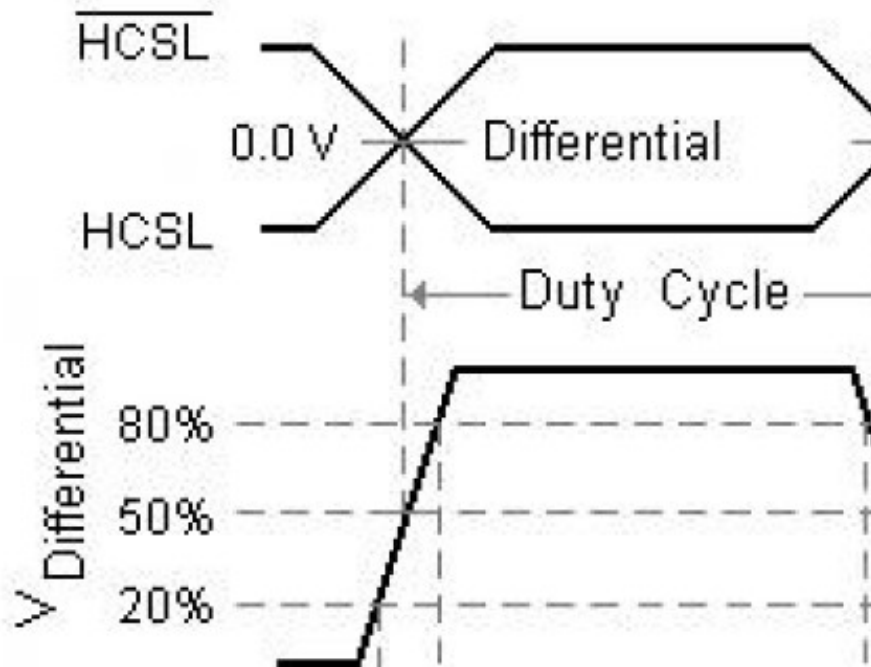
Note1: Tolerance ±0.2mm without mark

3、Test Circuit

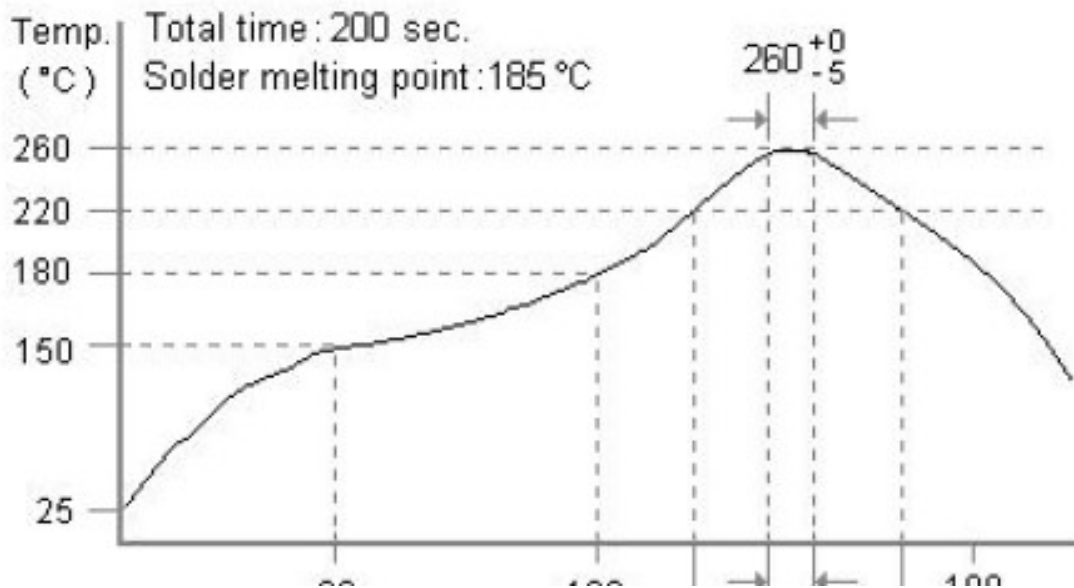




4、 Output Waveform(CMOS Load)



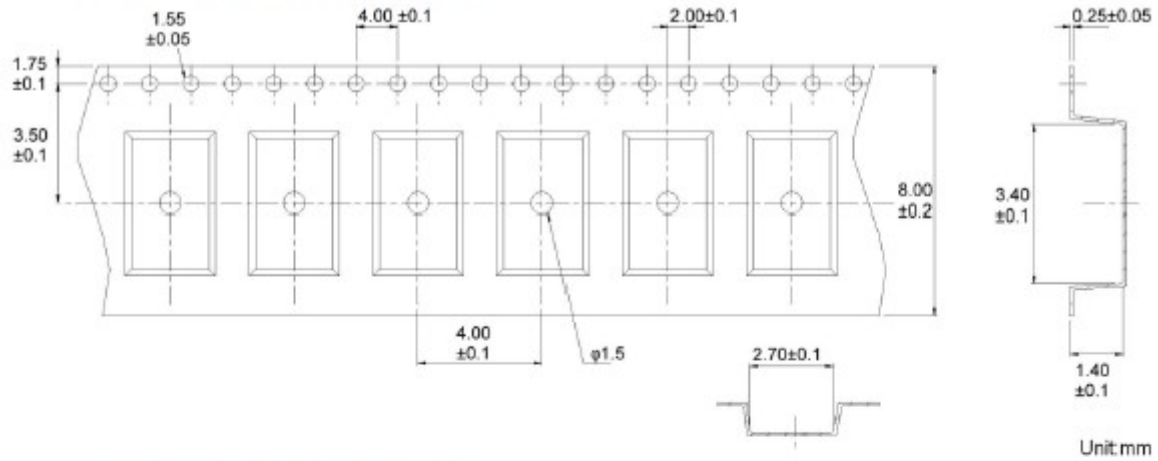
5、 Reflow Soldering Curve (RoHS)



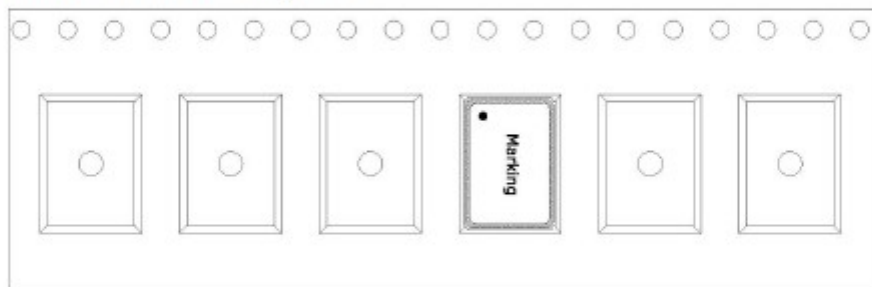


6、 Package: Tape & Reel (mm)

➤ TAPE (CARRIER) DIMENSIONS



➤ THE DIRECTION OF PACKING



➤ REEL DIMENSIONS

