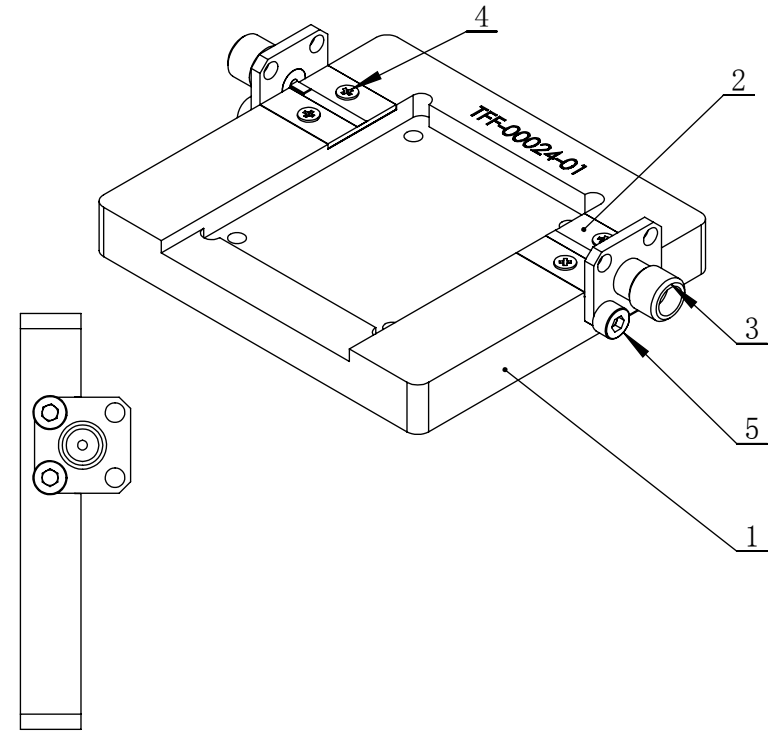
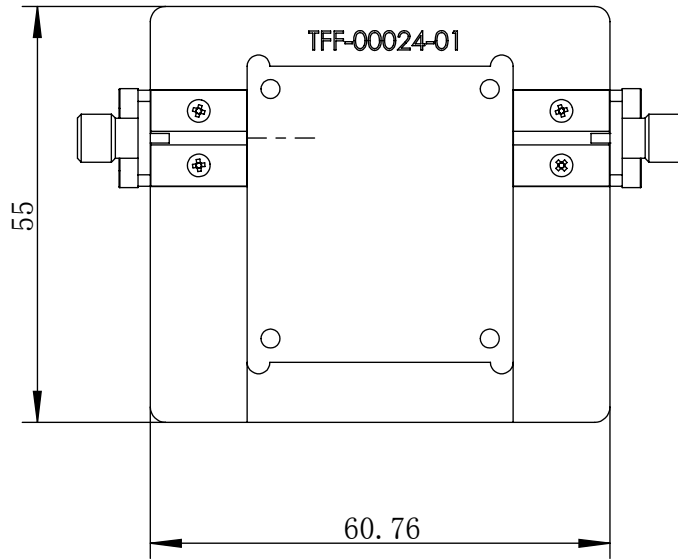
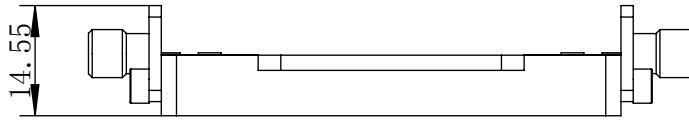

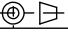


**RoHS COMPLIANT**

REVISIONS			
REV.	DESCRIPTION	DATE	APPROVAL
A	Producing release	2020/10/26	



项目号	零件号	说明	数量
1	TFF-00024-01	TEST FIXTURE	1
2	PCB-00007	PCB	2
3	CON-00001	CONNECTOR SMA-F	2
4	SCR-00024	十字沉头 M1.6x4 SCREW	4
5	SCR-00008	M2.5X6内六角螺丝	4

PART NAME: 测试夹具	Designed:	Jie. Jiang	
	Checked:		
DRAWING NO. : TFF-00024	Approval:		TOLERANCES ON
	The first angle projection: 		
DESCRIPTION: Test Fixture	Sheet 1 of 1		ANGLES
	Scale: 1:1	Unit: mm	-
		±0.20	±0.5°