

Travelling Merchant: \_\_\_\_\_

# DATASHEET

Standard: T32-A519-25.00MHz-L575

P/N: \_\_\_\_\_

Plot			The Label
Drew	Audited	Approved	Stamp, please! Thanks!
Date: 2024.02.28			

**Guangdong Dapu Telecom Technology Co.,Ltd**

Building 5, No.24, Industrial East Road, Songshanhu Park, Dongguan, Guangdong, P.R. China

TEL: 0086-0769-88010888 FAX: 0086-0769-81800098

**Table of amendment**



Version	Revision contents	Prepared by	Revised date
1.0	The first issued	<i>Amway</i>	2020.12.08
1.1	The “Operating Current” “Mechanical Structure” “Package: Tape & Reel”changed	<i>Amway</i>	2021.01.27
1.2	The “Frequency Tolerance vs. Operating Temperature Range”changed	<i>Amway</i>	2021.01.28
1.3	Add “Land Pattern Layout”	<i>Amway</i>	2021.05.12
1.4	Add “Start up Time”, The “Phase Noise”changed	<i>Amway</i>	2023.03.06
1.5	Add “Marking”	<i>Amway</i>	2023.10.31
1.6	The “Marking”changed	<i>Amway</i>	2023.12.11
1.7	The “Note3”changed	<i>Amway</i>	2024.02.28



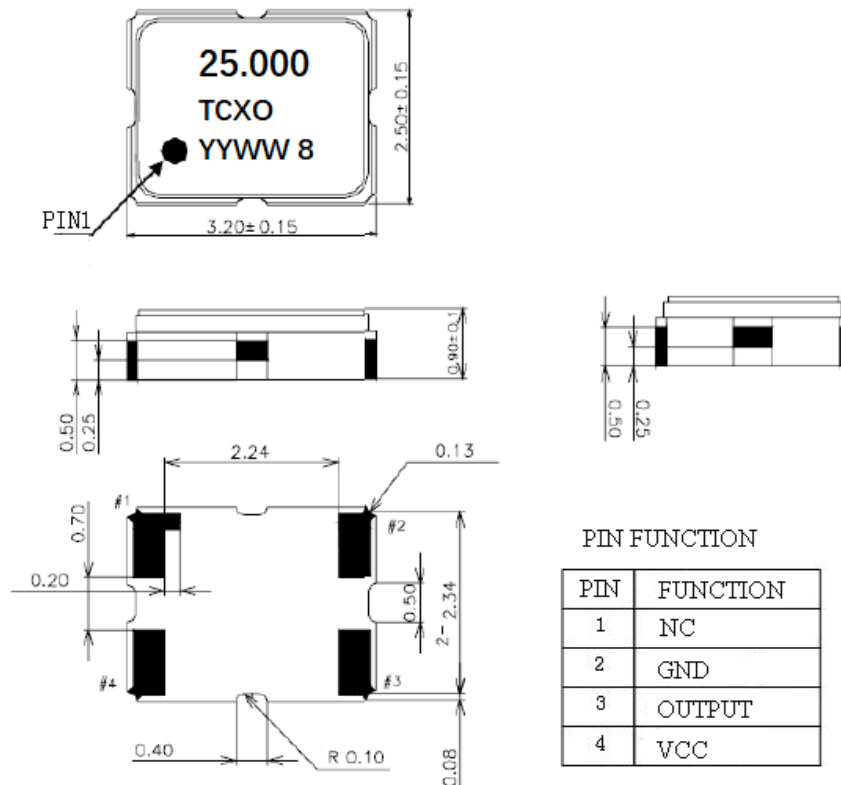
## 1. Electrical Parameters

MODEL: T32-A519-25.00MHz-L575						
Item	Description	Parameters			Unit	Test Condition
		Min.	Typ.	Max.		
Output	Frequency	25.00			MHz	
	Output Waveform	Clipped Sine Wave				
	Vp-p	0.8			V	
	Start Up Time			2	ms	
	Load	10KΩ//10pF				
Frequency Stabilities	Frequency Tolerance vs. Operating Temperature Range	-2		+2	$\times 10^{-6}$	$T_A$ varied from $-40^{\circ}\text{C}$ to $85^{\circ}\text{C}$ , measurement referenced to frequency observed with $T_A=25^{\circ}\text{C}$ , $V_{cc}=3.3\text{V}$ , $O_{load}=10\text{K}\Omega//10\text{pF}$ , temperature variable speed less than $2^{\circ}\text{C}$ per minute.
	Nominal Frequency Tolerance	-1		+1	$\times 10^{-6}$	Measurement referenced to frequency observed with $T_A=25^{\circ}\text{C}$ , $V_{cc}=3.3\text{V}$ , within 30 days after ex-works.
	Frequency Tolerance vs. Supply Voltage	-0.2		+0.2	$\times 10^{-6}$	measurement referenced to frequency observed $T_A=25^{\circ}\text{C}$ , $V_{cc}$ varied from 3.13V to 3.47V, $V_c=1.5\text{V}$ and $O_{Load}=10\text{K}\Omega//10\text{pF}$ .
	Frequency Tolerance vs. Load	-0.2		+0.2	$\times 10^{-6}$	5% load change measurement referenced to frequency observed with $T_A=25^{\circ}\text{C}$ , $V_{cc}=3.3\text{V}$ , $V_c=1.5\text{V}$ and $O_{Load}=10\text{K}\Omega//10\text{pF}$ .
	Aging Tolerance Per Day	-0.02		+0.02	$\times 10^{-6}$	$T_A=25^{\circ}\text{C}$ , $V_{cc}=3.3\text{V}$ , $V_c=1.5\text{V}$ and after 1h of operation.
	Aging Tolerance 1 Year	-1		+1	$\times 10^{-6}$	
Power Supply	Operating Current			2	mA	@ $25^{\circ}\text{C}$ , $V_{cc}=3.3\text{V}$ , $V_c=1.5\text{V}$ , $O_{Load}=10\text{K}\Omega//10\text{pF}$ .
	Supply Voltage	3.13	3.3	3.47	V	
Phase Noise	Phase Noise @ $25^{\circ}\text{C}$		-80	-75	dBc/Hz	10Hz
			-108	-103		100Hz
			-135	-130		1KHz
			-145	-140		10KHz
			-150	-145		100KHz
			-150	-145		1MHz



Environmental Conditions	Operable Temperature	-40		+85	°C	
	Storage Temperature	-55		+105	°C	
	ESD Level	Human Body Model, class2: 2000V to 4000V; ANSI/ESDA/JEDEC JS-001-2010.				
		Machine Model, class B: 200V to 400V; ANSI/ESDA/JEDEC JS-001-2010.				
	Moisture Sensitivity Level	Level 1.				
	Vibration	Test Condition: 0.75mm ;acceleration:10g;10Hz~2000Hz, one cycle per 30 min, test 2 hour. (3 times for each 3 directions X , Y , Z) .IEC 68-2-06 Test Fc.				
Shock	100g; 6ms; half sine wave (3 times for each 3 directions X, Y, Z), IEC 68-2-27 Test Ea/Severity 50A.					

## 2. Mechanical Structure(mm)



**Note1:** Tolerance ±0.15mm without mark

**Note2:** Referential Weight 0.1g

**Note3:** Marking:

The YY representative: year, WW representative: week.

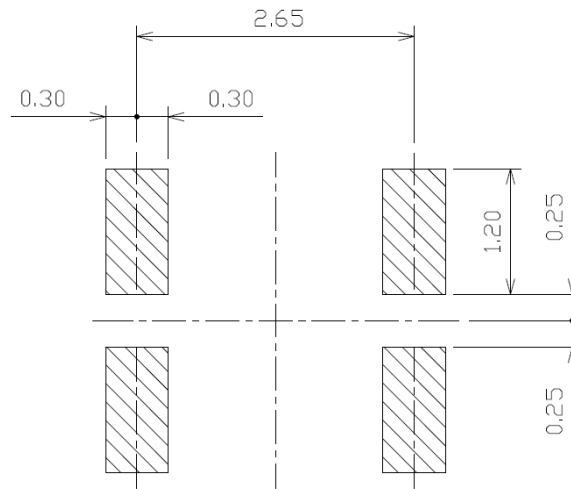
The last digit "8" representative: Manufacturer code.

Font: Arial, Center placement, font size: The letter height of first line is 0.5mm;

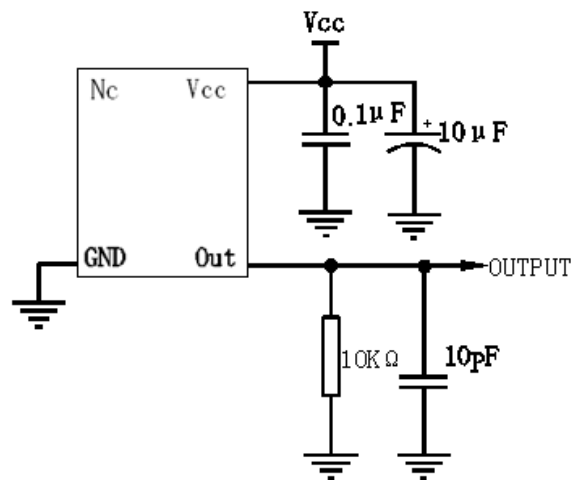
The letter height of second & third lines are 0.3mm.



### Land Pattern Layout(mm)

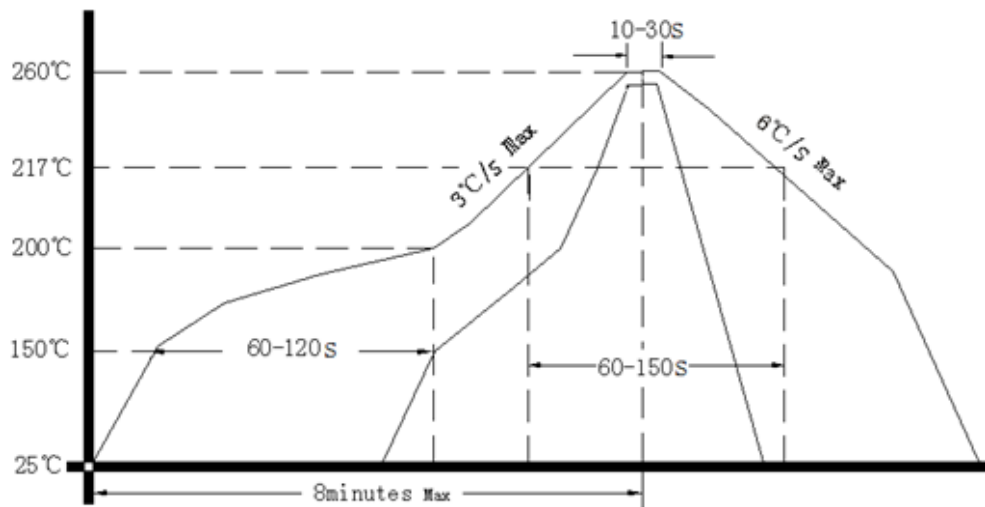


### 3. Test Circuit





#### 4. Reflow Soldering Curve (RoHS)



#### 5. Package: Tape & Reel (mm)

