

Travelling Merchant: _____

DATASHEET

Standard: DP8W2400001

Plot			The Label
Drew	Audited	Approved	Stamp, please! Thanks!
Date: 2012.03.01			

Guangdong Dapu Telecom Technology Co.,Ltd

Bldg13-16,.N.Ind.Zone,SSL Industry Park, Dongguan City, Guangdong Province, China

TEL: 0086-0769-88010888 FAX: 0086-0769-81800098

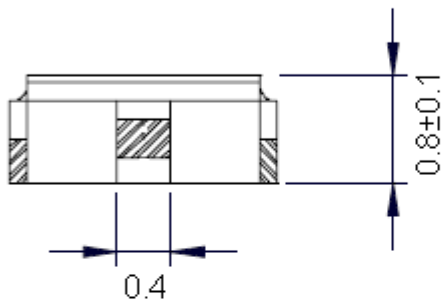
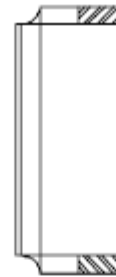
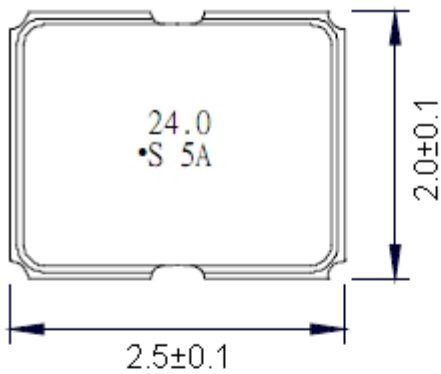


1、 Electrical Parameters

MODEL: DP8W2400001							
No.	Parameters	SYM.	Electrical Spec.				Notes
			Min.	Typ.	Max.	Units	
1	Nominal Frequency	FL	24.00			MHz	
2	Output Waveform	-	HCMOS				
3	Supply Voltage	Vcc	1.71	1.8	1.89	V	
4	Rise/Fall Time (10%~90%)	-	-	-	10	nS	
5	Output Load	-	15pF			-	
6	Frequency Stability	-	-50	-	+50	$\times 10^{-6}$	Include Freq. Tolerance,Temp. Supply voltage,Load.
7	Operating Temperature Range	-	-10	~	+70	°C	
8	Storage Temperature	-	-55	~	+125	°C	
9	Input Current	Icc	-	-	2.5	mA	
10	Standby Current	Ist	-	-	5	uA	
11	Duty Cycle	-	45	50	55	%	@0.9V
12	Start Time	-	-	-	10	ms	@+1.62V
13	Tri-state(standby function)	Vih	1.62	-	-	V	Oscillation Enable
14	Tri-state(standby function)	Vil	-	-	0.18	V	Oscillation Disable
15	Output Level Logic 1	Voh	1.62	-	-	V	
16	Output Level Logic 0	Vol	-	-	0.18	V	
17	Aging	-	-5	-	+5	$\times 10^{-6}$	PER YEAR (AT25°C±5°C)
18	ESD Level	Human Body Model,class2: 2000V to 4000V; ANSI/ESDA/JEDEC JS-001-2010.					
19		Machine Model, class B: 200V to 400V; ANSI/ESDA/JEDEC JS-001-2010.					
20	Moisture Sensitivity Level	Level 2.					
21	Vibration	Test Condition: 0.75mm ;acceleration:10g;10Hz~2000Hz, one cycle per 30 min, test 2 hour. (3 times for each 3 directions X , Y , Z).IEC 68-2-06 Test Fc.					
22	Shock	100g; 6ms; half sine wave (3 times for each 3 directions X , Y , Z),IEC 68-2-27 Test Ea/Severity 50A.					



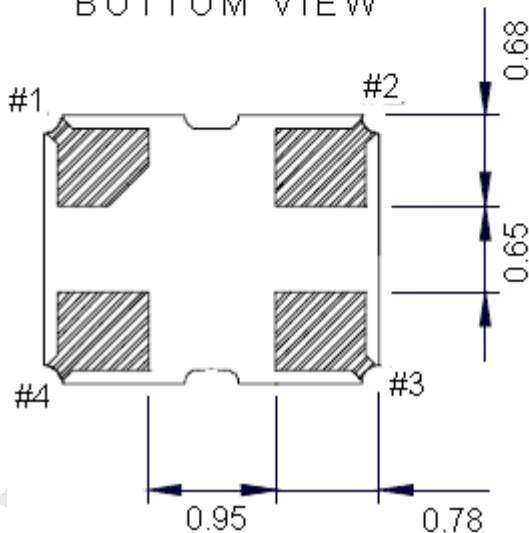
2、Mechanical Structure(mm)



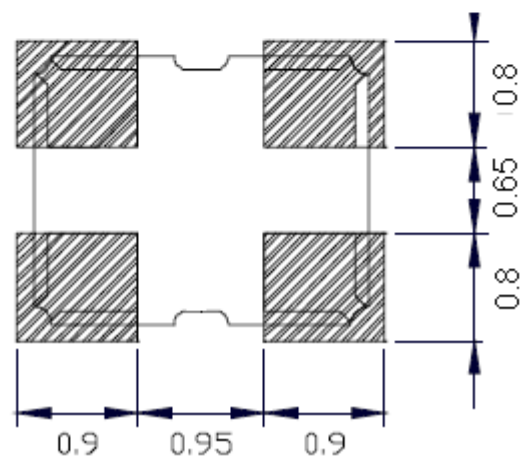
Terminal	Connection
#1	CE
#2	GND
#3	OUTPUT
#4	+VCC

#1:NC or H→ Output Enable
#1:L→Output Disable (Hi-Z)

BOTTOM VIEW



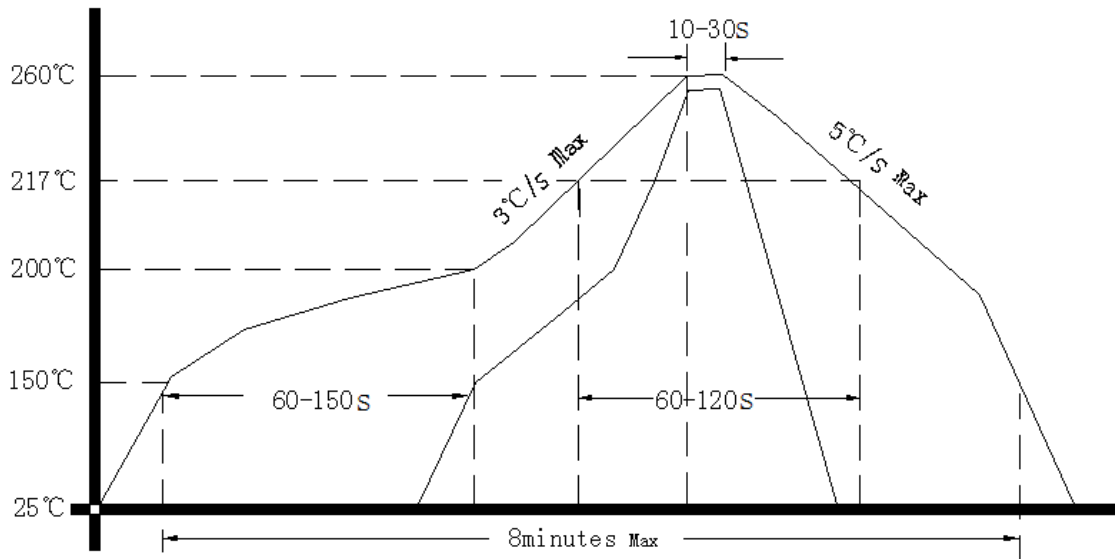
LAND PATTERN (REFERENCE)



Note1: Tolerance ± 0.1 mm without mark



3、 Reflow Soldering Curve (RoHS)



4、 Package: Tape & Reel (mm)

