

Customer Code: _____

DATASHEET

DAPU P/N: A2016C-E5A9C0-25.00MHz-D0

DAPU			Customer Approval
Drew	Audited	Approved	
Jieshu ZHENG	Jianhua LIN	Gangtao FENG	
Date:	2024/2/18		

Stamp, please! Thanks!

Guangdong Dapu Telecom Technology Co.,Ltd

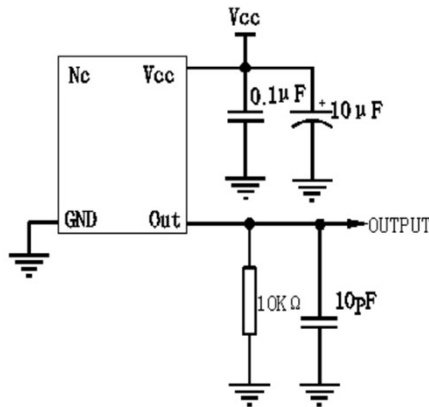
Bldg 5, SSL Modern Enterprise Accelerator Zone, Dongguan City, Guangdong Province, PRC China
TEL: 0086-0769-88010888 FAX: 0086-0769-81800098

1、Electrical Parameter

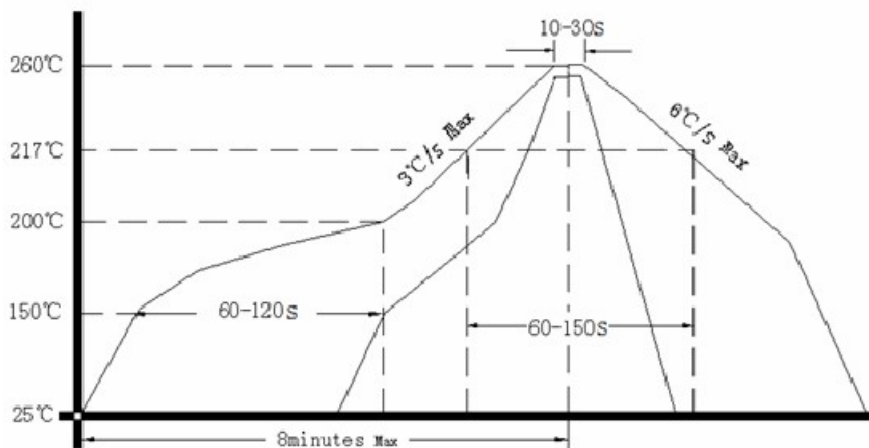
MODEL:		A2016C-E5A9C0-25.00MHz-D0				
For Automotive						
No.	Description	Parameters			Units	Test Condition
		Min.	Typ.	Max.		
Output	Frequency	25.000			MHz	
	Output Waveform	Clipped Sine Wave				
	Vp-p	0.8			V	
	Spurious Suppression			-8	dBc	
	Load	10KΩ//10pF				
Frequency Stabilities	Frequency Tolerance	-1.5		1.5	$\times 10^{-6}$	@25±2°C, 2H, after 2 times reflow soldering, base on nominal frequency.
	vs. Temperature	-0.5		0.5	$\times 10^{-6}$	T _A varied from -40°C to 95°C, measurement referenced to frequency observed with $f_{ref}=(f_{max}+f_{min})/2$, V _{CC} =3.3V, O _{load} =10KΩ//10 pF, temperature variable speed less than 2 per minute.
	vs. Supply Voltage	-0.1		0.1	$\times 10^{-6}$	measurement referenced to frequency observed T _A =25°C, V _{cc} =3.3±5%, and O _{Load} =10KΩ//10 pF.
	vs. Load	-0.1		0.1	$\times 10^{-6}$	10% load change measurement referenced to frequency observed with T _A =25°C, V _{cc} =3.3V, and O _{Load} =10KΩ//10pF.
	Aging Tolerance 1 Year	-1		1	$\times 10^{-6}$	T _A =25°C, V _{cc} =3.3V, and after 1h of operation.
	Frequency Slope	-0.1		0.1	ppm/°C	T _A varied from -40°C to 95°C
	Short Term			1.5	$\times 10^{-10}$	1s
	G-sensitivity			1.5	ppb/g	All 3 axes random vibration 30Hz to 1.5kHz
Power Supply	Current consumption			2	mA	@25°C, V _{cc} =3.3V, O _{Load} =10KΩ//10pF.
	Start up Time			2	ms	More than 90% of final output voltage
	Supply Voltage	1.80		3.30	V	
SSB Phase Noise	Phase Noise@25±2°C			-40	dBc/Hz	1Hz
				-80		10Hz
				-111		100Hz
				-140		1KHz
				-151		10KHz
				-156		100KHz
				-157		1MHz

Environmental Conditions	Operable Temperature	-40		95	°C	
	Storage Temperature	-55		105	°C	
	ESD Level	Human Body Model, class 2: 2000V to 4000V; ANSI/ESDA/JEDEC JS-001-2010.				
		Machine Model, class B: 200V to 400V; JEDEC JESD22-A115C.				
	Moisture Sensitivity Level	Level 3.				
	Vibration	Test Condition: 0.75mm ;acceleration:10g;10Hz~2000Hz, one cycle per 30 min, test 2 hour. (3 times for each 3 directions X ,Y, Z) .IEC 68-2-06 Test Fc.				
Shock	100g; 6ms; half sine wave (3 times for each 3 direction s X ,Y, Z), IEC 68-2-27 Test Ea/Severity 50A.					
Full Package Storage	Relative humidity (%)	20%~70%				
	Load	10KΩ//10pF				
Standard	-	AEC-Q100				

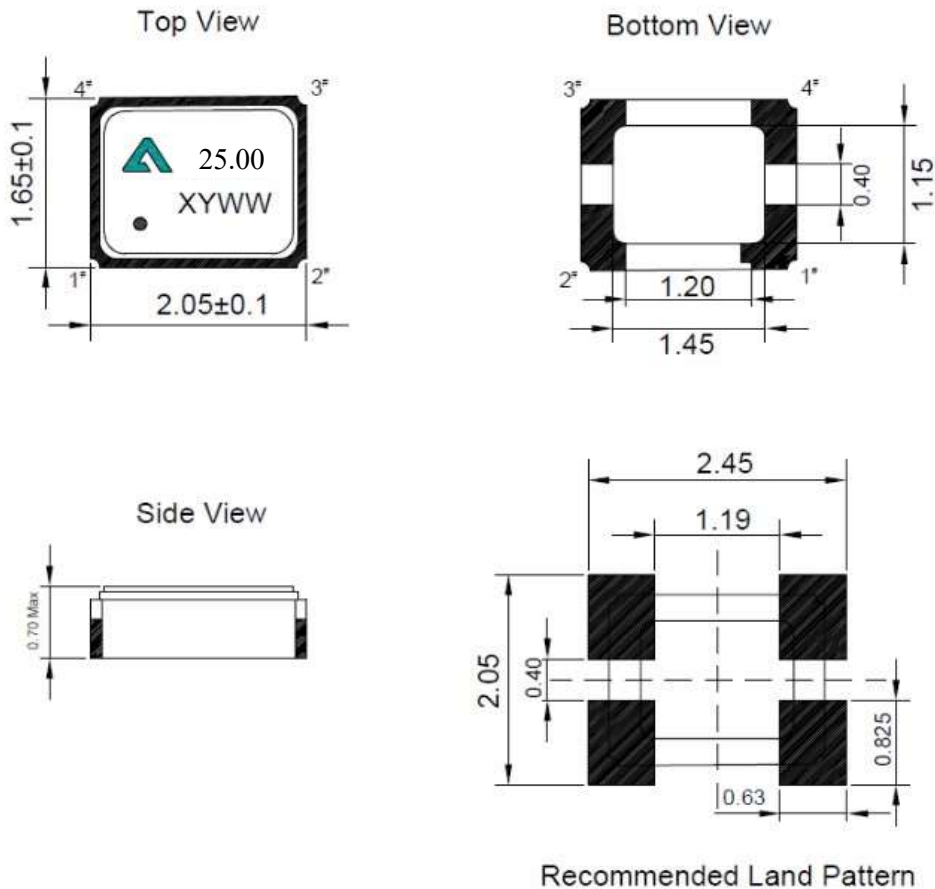
2、 Test Circuit



3、 Reflow Soldering Curve (RoHS)





4、 Mechanical Structure(mm)



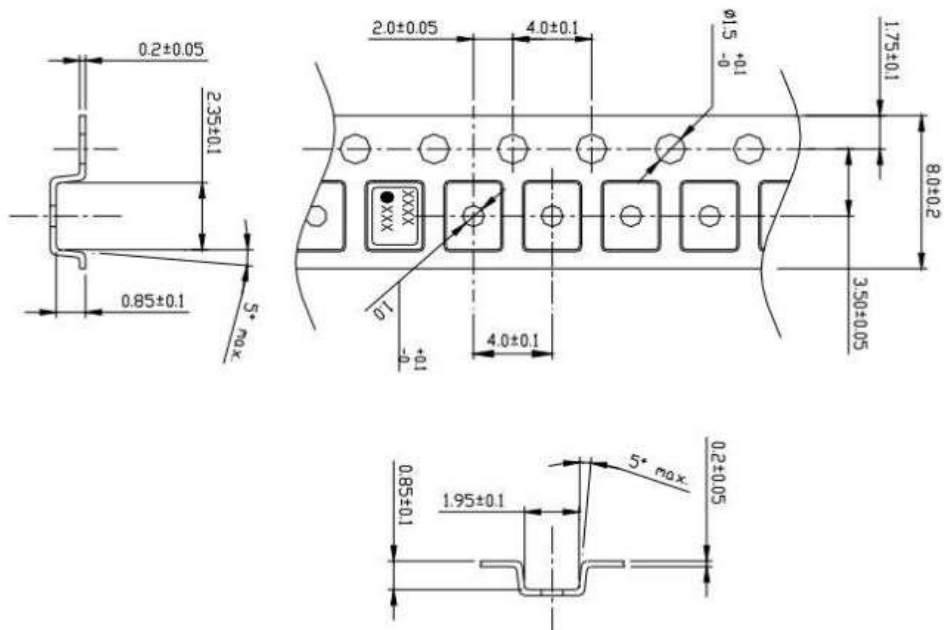
PIN NAME	CONNECTION
PIN1	NC
PIN2	GND
PIN3	OUTPUT
PIN4	VCC

5、 Marking Information

25.00:	Frequency 25.00MHz
 :	DAPU Logo
X:	Lot No.
Y:	Year
WW:	Week
 :	Pin1 Index



6、 Packing Information



1. Clearance of an embossing tape, and a product unit: mm

Direction	Pocket size	TCXO size	Clearance
L	2.35 ± 0.10	2.00 ± 0.15	0.35 ± 0.25
W	1.95 ± 0.10	1.60 ± 0.15	0.35 ± 0.25
H	0.85 ± 0.05	0.70 ± 0.10	0.15 ± 0.15

2. Quality : Polystyrene (Conductivity)

3. Tensile strength of an embossing tape : more than 14N