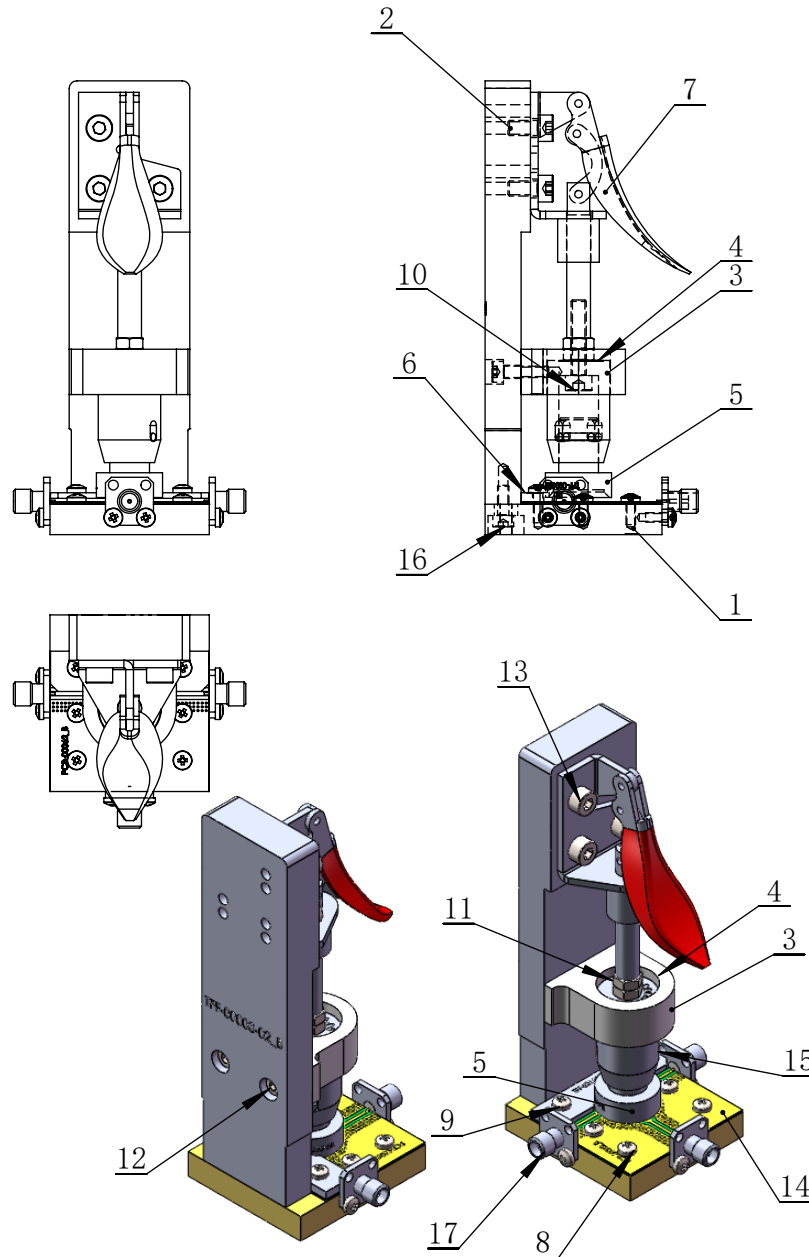


RoHS COMPLIANT

REVISIONS				
REV.	ECN NO.	DESCRIPTION	DATE	REVSIOR
A	-	Producting release	2023/9/21	ZC.Wu



注：4和5之间内置弹簧
SPR-00002 (线径1.4x外径10x长度15)

项目号	零件号	说明	数量
1	tff-00160-01	Test Block	1
2	TFF-00003-02	Fixed Block	1
3	TFF-00002-02	Guide Block	1
4	TFF-00002-05	Pressure Head Fixing Seat	1
5	TFF-00045-03	Pressure Head	1
6	tff-00160-02	Limited Bolck	1
7	tas-00088	GH-301-AM	1
8	SCR-00001	SCREW 十字盘头 M2.5X6	10
9	SCR-00003	Screw 十字盘头 M2.5X8	2
10	SCR-00002	Screw 内六角圆柱头 M4X20	1
11	NUT-00001	M4 Nut	2
12	SCR-00005	Screw 内六角圆柱头 M3x12	2
13	SCR-00004	Screw 内六角圆柱头 M4X8	3
14	PCB-00062	PCB	1
15	DOW-00002	DOWEL $\Phi 2.0 \times 16$	1
16	SCR-00023	Screw 内六角圆柱头 M3x8	2
17	con-00004	CONNECTOR SMA-F	3

PART NAME: 15.5 (15.5) 测试夹具	Designed:	ZC.Wu	2023/9/21		
	Checked:	ZC.Wu	2023/9/21		
DRAWING NO. : TFF-00160	Approval:	KL.Wang	2023/9/21	TOLERANCES ON	
	The first angle projection:				
DESCRIPTION: TEST FIXTURE	Sheet 1 of 1			DECIMALS	ANGLES
	Scale:	Unit:	-	.x ± 0.10	$\pm 0.5^\circ$
	1:1	mm		.xx ± 0.05	
				.xxx ± 0.02	