

Customer Code: _____

DATASHEET

DAPU P/N: DPZ2232K768018A0

| DAPU | | | Customer Approval |
|------------------|---------|----------|------------------------|
| Drew | Audited | Approved | Stamp, please! Thanks! |
| Jack | David | William | |
| Date: 2022.08.17 | | | |

Guangdong Dapu Telecom Technology Co.,Ltd

Building 5, No.24, Industrial East Road, Songshanhu Park, Dongguan, Guangdong, P.R. China

TEL: 0086-0769-88010888 FAX: 0086-0769-81800098

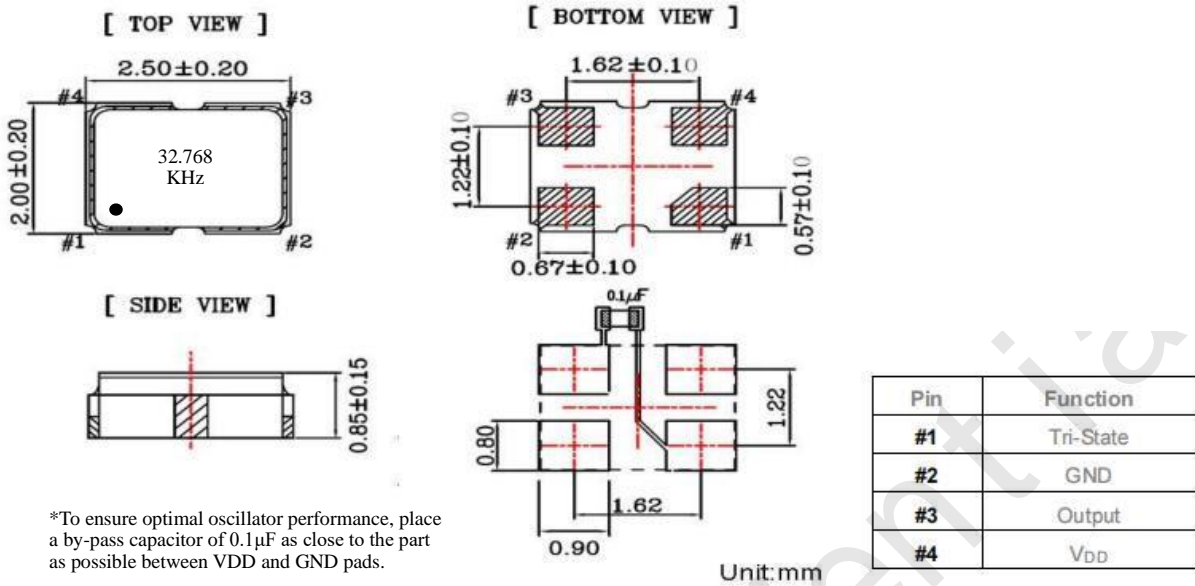


1、 Electrical Parameters

| MODEL: DPZ2232K768018A0 | | | | | | | |
|-------------------------|--------------------------|-----------------|------------------|------|-------|------------------|--|
| No. | Parameters | SYM. | Electrical Spec. | | | | Notes |
| | | | Min. | Typ. | Max. | Units | |
| 1 | Nominal Frequency | FL | 32.768 | | | KHz | |
| 2 | Oscillation Mode | - | Fundamental | | | | |
| 3 | Frequency Tolerance | - | -20 | | + 20 | $\times 10^{-6}$ | At 25°C |
| 4 | Frequency Stability | - | -30 | | + 30 | $\times 10^{-6}$ | Over Operating Temperature Range |
| 5 | Operating Temperature | Topr | -40 | ~ | + 95 | °C | |
| 6 | Storage Temperature | Tstg | -55 | ~ | + 125 | °C | |
| 7 | Supply Voltage | V _{DD} | 1.62 | 1.8 | 1.98 | V | |
| 8 | Input Current | I _{cc} | | | 0.5 | mA | |
| 9 | Output waveform | - | CMOS | | | | |
| 10 | Output Load | CL | 15 | | | pF | |
| 11 | Output Voltage High | V _{OH} | 90% | | | V _{DD} | |
| 12 | Output Voltage Low | V _{OL} | | | 10% | V _{DD} | |
| 13 | Rise/Fall Time | Tr、 Tf | | | 50 | ns | 20%-80% V _{DD} Level |
| 14 | Aging | - | -3 | | + 3 | $\times 10^{-6}$ | First Year at 25°C |
| 15 | Tri-State Output Enable | - | 70% | | | V _{DD} | Pin 1, OE |
| 16 | Tri-State Output Disable | - | | | 30% | V _{DD} | Pin 1, OE |
| 17 | Duty Cycle | - | 45 | ~ | 55 | % | |
| 18 | Start-Up Time | Tstart | | | 10 | ms | Measured from the time V _{DD} reaches its rated minimum value |

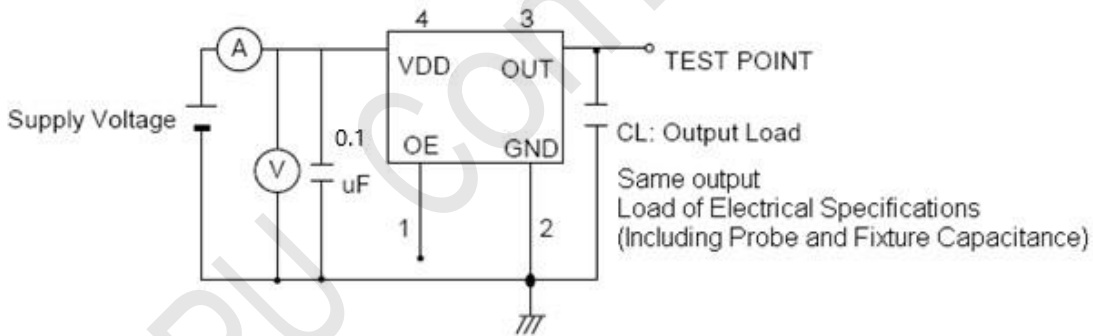


2、Mechanical Structure(mm)



*To ensure optimal oscillator performance, place a by-pass capacitor of 0.1μF as close to the part as possible between VDD and GND pads.

3、Test Circuit



Control input (output enable/disable)

Logic 1 or open on pad 1: Oscillator output

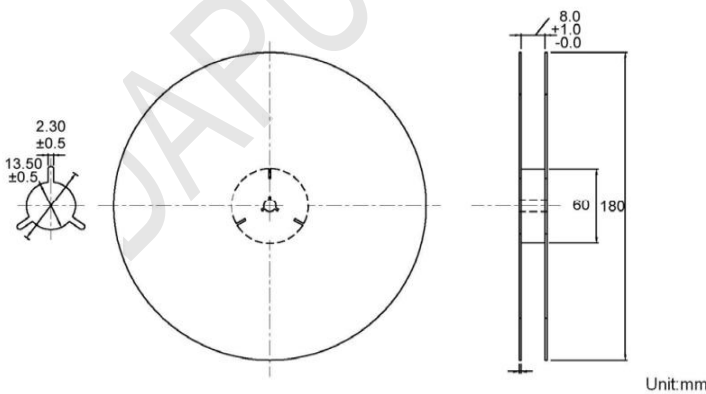
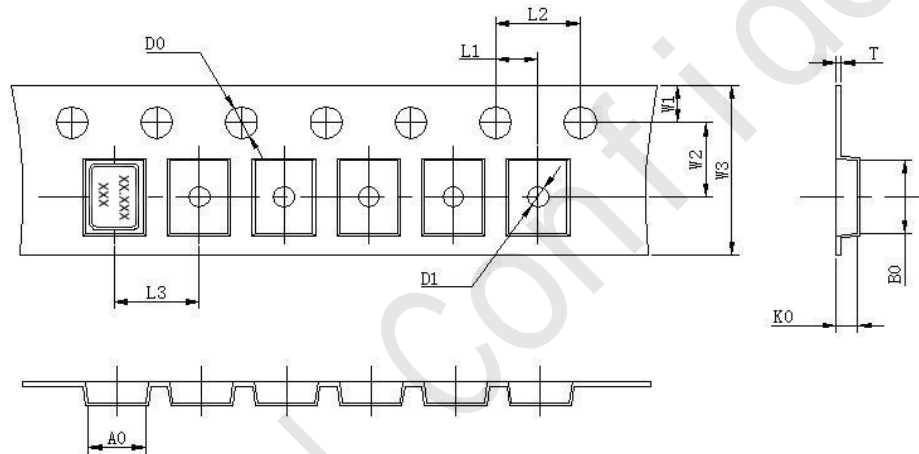
Logic 0 on pad 1 : Disable output to high impedance



4、 Reflow Soldering Curve (RoHS)



5、 Package: Tape & Reel (mm)

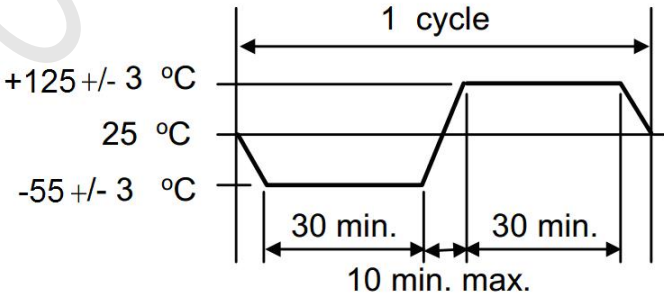


| | |
|----|-----------|
| L1 | 2.00±0.1 |
| L2 | 4.00±0.1 |
| L3 | 4.00±0.1 |
| D0 | 1.55±0.05 |
| D1 | 1.20±0.5 |
| W1 | 1.75±0.1 |
| W2 | 3.50±0.1 |
| W3 | 8.00±0.2 |
| A0 | 2.25±0.1 |
| B0 | 2.7±0.1 |
| K0 | 1.45±0.1 |
| T | 0.25±0.05 |

Unit:mm



6、 Reliability Test Specification

| NO. | Test Items | Test Standard | Test Condition | Specifications |
|-----|--|---------------|---|---|
| 1 | Drop test | GB/T2423.8 | Drop from 150cm height on 3cm hard wooden board for 3 times | Electrical performance meets specification requirements |
| 2 | Mechanical shock | GB/T2423.5 | Peak: 100g; Waveform: Half-sine; Velocity Change: 1000m/s ² ; Duration: 0.5ms; 3 times/direction, Direction: +X, -X, +Y, -Y, +Z, -Z. | |
| 3 | Vibration | GB/T2423.10 | Frequency: 10~2000Hz; Vibration:20min, 1.52mm; Direction: X, Y, Z; Duration: 2 hours/direction. | |
| 4 | Solderability | IEC60068-2-58 | Solder bath temperature:245±5°C Dwell time:3±0.5 seconds, Solder: 100% tin | |
| 5 | Resistance to soldering heat | IEC60068-2-58 | Solder temperature 260±5°C, Immersion time:10±1 S Solder bath composition:100% tin | |
| 6 | High temperature storage | GB/T2423.2 | Temperature: 125°C±2°C; Duration: 500±12hours; | |
| 7 | Low temperature storage | GB/T2423.1 | Temperature: -40°C±2°C; Duration: 500±12hours; | |
| 8 | Temperature Shock | GB/T2423.22 | Do 10 cycles at the following temperature  | |
| 9 | High temperature high humidity storage | GB/T2423.3 | Temperature: 85°C±3°C; Humidity: 85%; Duration: 500hours; | |