

Travelling Merchant: _____

DATASHEET

Standard: **DPCE1000004**

Plot			The Label
Drew	Audited	Approved	Stamp, please! Thanks!
Date: 2023.08.15			

Guangdong Dapu Telecom Technology Co.,LTD

Building 5, No.24, Industrial East Road, Songshanhu Park, Dongguan, Guangdong, P.R. China

TEL: 0086-0769-88010888 FAX: 0086-0769-81800098

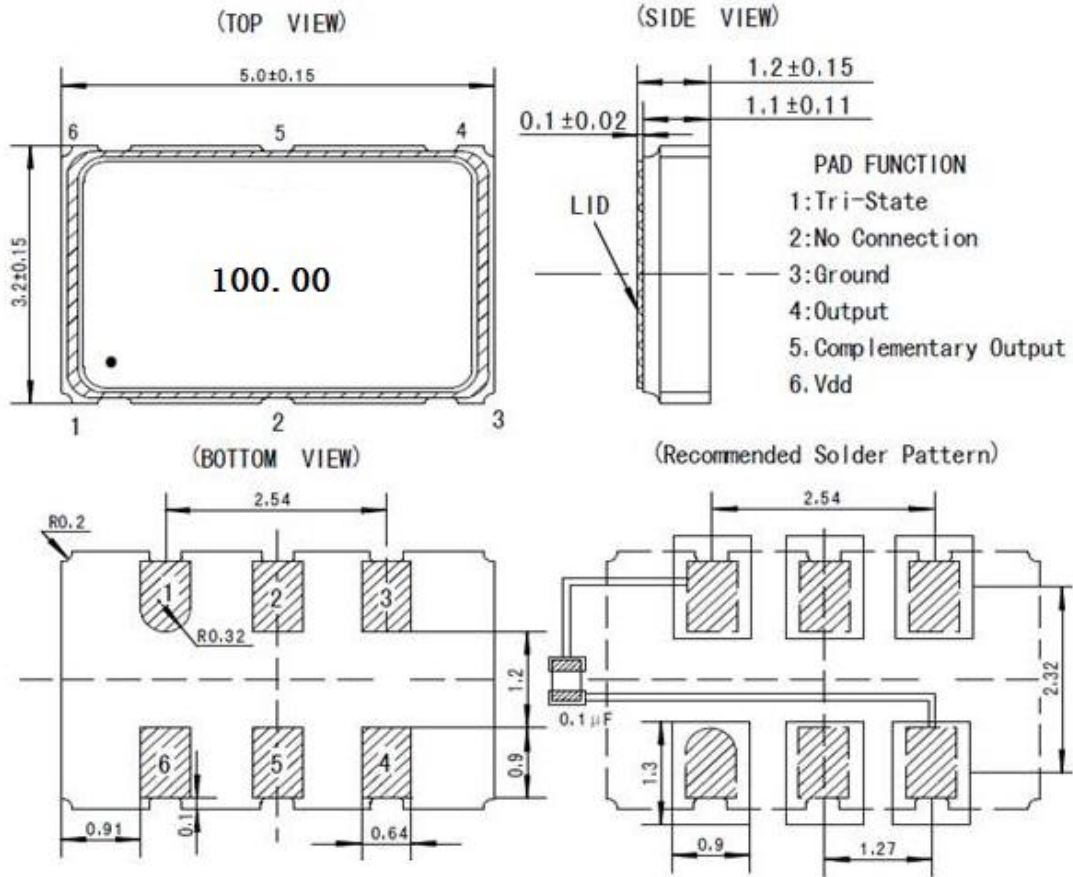


1、 Electrical Parameters

MODEL: DPCE1000004							
No.	Parameters	SYM.	Electrical Spec.				Notes
			Min.	Typ.	Max.	Units	
1	Nominal Frequency	FL	100.00			MHz	
2	Vibration Mode	-	3rd				
3	Output Waveform	-	LVDS				
4	Total stability	F-stab	-30		+30	$\times 10^{-6}$	Include frequency tolerance@25°C and frequency stability vs. operating temperature range and voltage variance.
7	Operating Temperature	-	-40	25	85	°C	
8	Storage temperature range	-	-55		125	°C	
9	Operating Supply Voltage	Vdd	2.97	3.3	3.63	V	
10	“H” Output voltage	VOH			1.6	V	100±1 Ω (R1+R1 between OUT-OUTN)
11	“L” Output voltage	VOL	0.9			V	
12	Max Supply Voltage Range	-	-0.5		5	V	
13	Supply Current	Icc			60	mA	
14	Start up Time	-			10	mS	
15	Rise and Fall Time	Tr/Tf			0.5	nS	@20%-80%
16	Duty Cycle	-	45	50	55	%	@Vcc-1.3V
17	Aging	-	-3		+3	$\times 10^{-6}$	1year@25°C
18	Jitter	RMS			0.3	ps	12kHz ~ 20MHz
19	Phase Noise				-60	dBc	10Hz
					-95	dBc	100Hz
					-120	dBc	1KHz
					-135	dBc	10KHz
					-143	dBc	100KHz
					-148	dBc	1MHz
20	Enable Feature						
21	“H” Input Voltage	VIH	Vcc*0.7			V	
22	“L” Input Voltage	VIL			Vcc*0.3	V	
23	E/D (Pin 1)	Logic “1”Or Floating input, Outputs enable; Logic “0” ,Outputs disable					



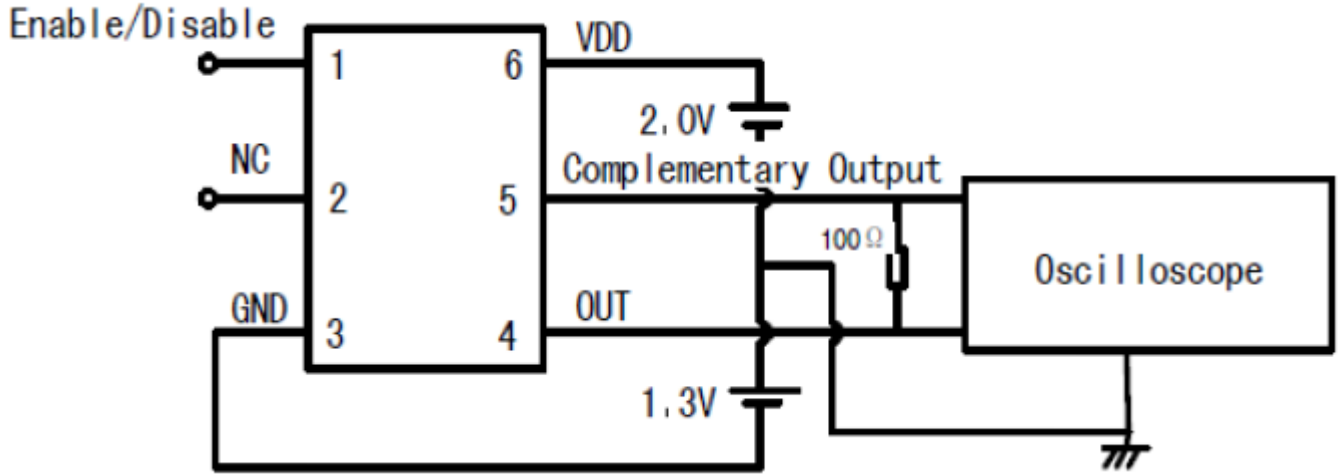
2、Mechanical Structure(mm)



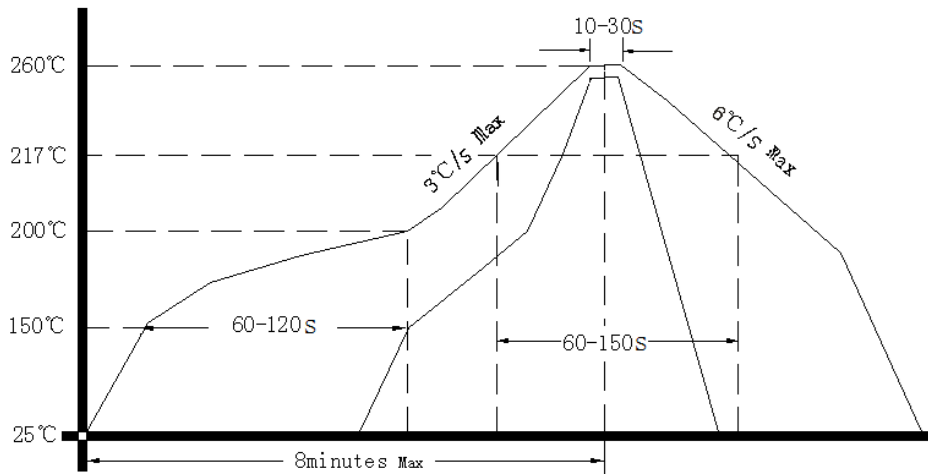
Note1: Tolerance ± 0.2 mm



3. Test Circuit



4. Reflow Soldering Curve (RoHS)



5. Package: Tape & Reel (mm)

