

Travelling Merchant: \_\_\_\_\_

# DATASHEET

Standard:                     **DP4X24M00001**                    

Remarks: \_\_\_\_\_

Plot			The Label
Drew	Audited	Approved	Stamp, please! Thanks!
Date: 2023.08.31			

## Guangdong Dapu Telecom Technology Co.,LTD

Building 5, No.24, Industrial East Road, Songshanhu Park, Dongguan, Guangdong, P.R. China

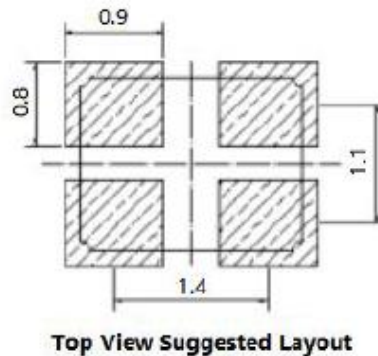
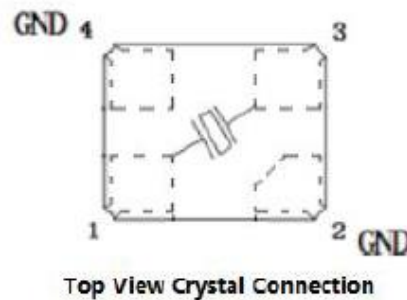
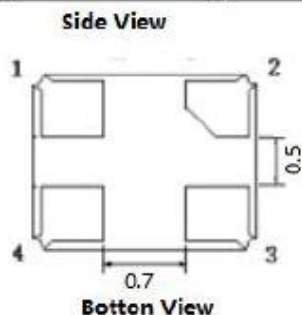
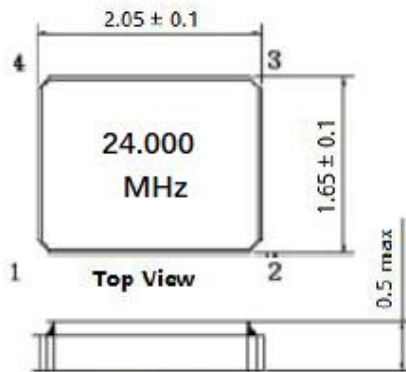
TEL: 0086-0769-88010888    FAX: 0086-0769-81800098



## 1、Electrical Parameters

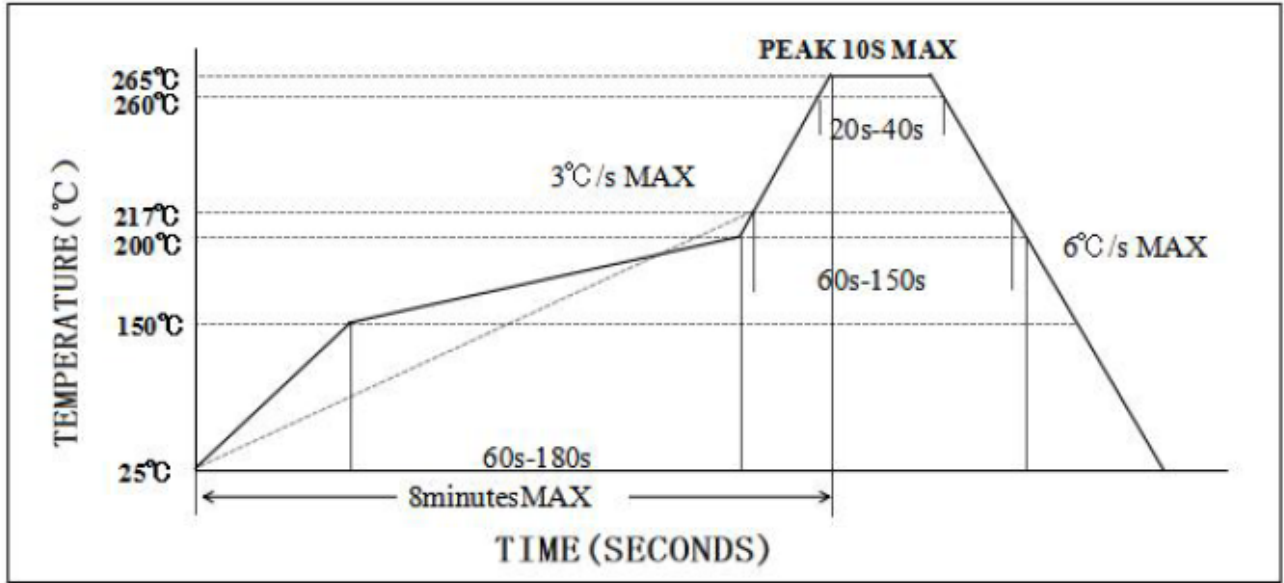
MODEL: DP4X24M00001							
No.	Parameters	SYM.	Electrical Spec.				Notes
			Min.	Typ.	Max.	Units	
1	Nominal Frequency	FL	24.000			MHz	
2	Oscillation Mode	-	Fundamental				AT-CUT
3	Load Capacitance	LC	8			pF	
4	Frequency Tolerance	FL	-10		+10	$\times 10^{-6}$	@25°C +/-2°C
5	Frequency Stability Over Operating Temp. Range	TC	-20		+20	$\times 10^{-6}$	Ref.to 25°C
6	Operating Temperature	-	-40		+85	°C	
7	Storage temperature range	-	-55		+125	°C	
8	Aging	-	-2		+2	$\times 10^{-6}$	1st year
9	Drive Level	DL	1	100	200	$\mu$ W	
10	Resonance Resistance	RR			40	$\Omega$	
11	Shunt Capacitance C0	C0	-	-	3	pF	
12	Insulation R	IR	500			M $\Omega$	DC100V
13	SPDB	SPDB			-3	dB	F0+/-500KHz
14	Moisture Sensitivity Level	Level 1.					

## 2、Mechanical Structure(mm)

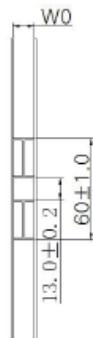
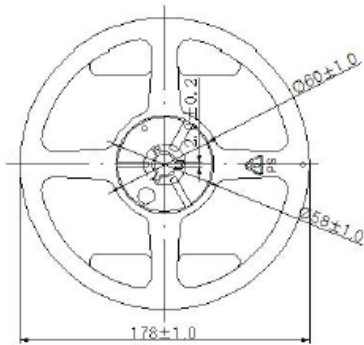
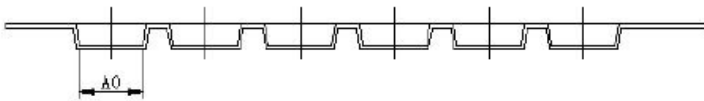
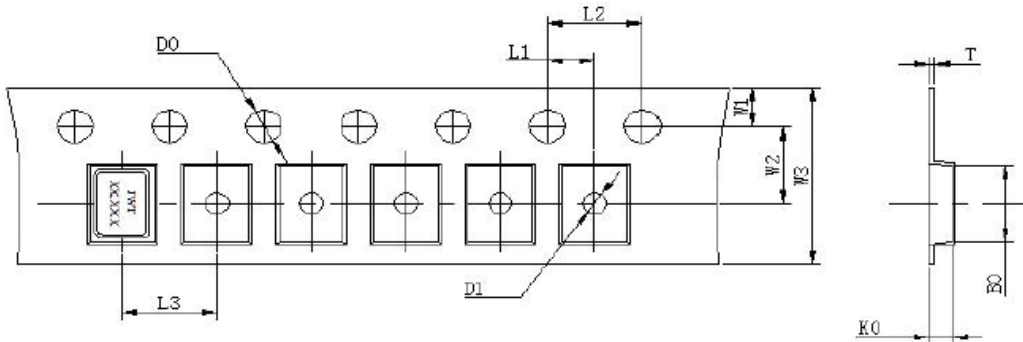




### 3、 Reflow Soldering Curve (RoHS)



### 4、 Packing(mm)



L1	2.00±0.1
L2	4.00±0.1
L3	4.00±0.1
D0	1.50±0.1
D1	0.6±0.1
W0	8.50±0.2
W1	1.75±0.1
W2	3.50±0.1
W3	8.00±0.1
A0	1.85±0.1
B0	2.25±0.1
K0	0.65±0.1
T	0.25±0.05