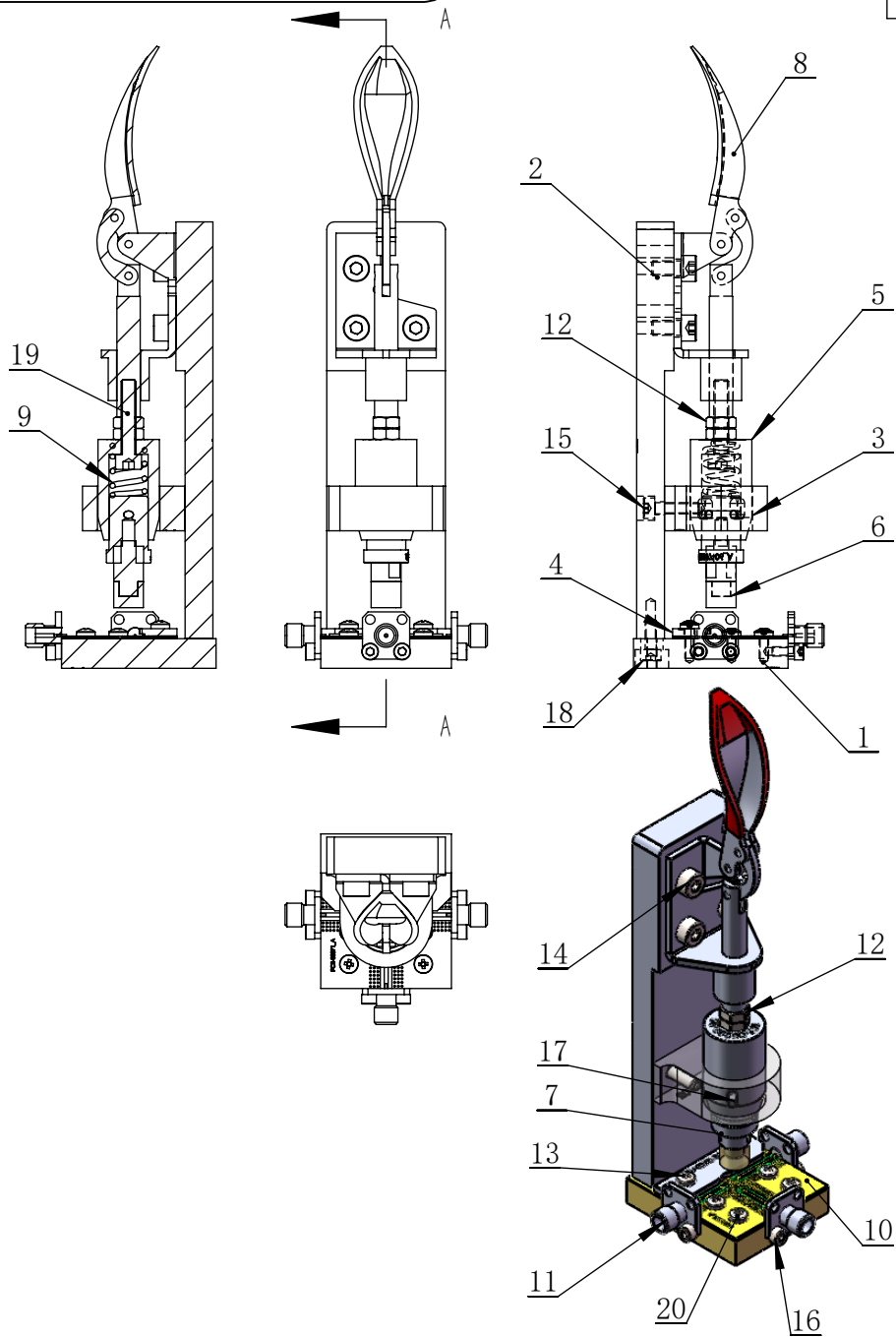

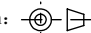


A-A
RoHS COMPLIANT



REVISIONS				
REV.	ECN NO.	DESCRIPTION	DATE	REVISOR
A	/	Producing release	2021/11/15	
B	0640	去掉TFF-00012-03,增加TFF-00097-05和TFF-00097-06各1pcs	2022/11/24	ZC.Wu

项目号	零件号	说明	数量
1	TFF-00103-01	Test Block	1
2	TFF-00012-01	Fixed Block	1
3	TFF-00002-02	Guide Block	1
4	TFF-00103-02	Limited Block	1
5	TFF-00002-05	Pressure Head Fixing Seat	1
6	TFF-00097-05	Pressure Head	1
7	TFF-00097-06	Pressure Head	1
8	TAS-00088	GH-301-AM	1
9	SPR-00002	SPRING	1
10	PCB-00071	PCB	1
11	con-00004	CONNECTOR SMA-F	3
12	NUT-00001	M4 Nut	2
13	SCR-00003	Screw 十字盘头 M2.5X8	2
14	SCR-00004	Screw 内六角圆柱头 M4X8	3
15	SCR-00005	Screw 内六角圆柱头 M3x12	2
16	SCR-00008	M2.5X6内六角螺丝	6
17	DOW-00002	DOWEL Φ2.0 x 16	1
18	SCR-00023	Screw 内六角圆柱头 M3x8	2
19	SCR-00002	Screw 内六角圆柱头 M4X20	1
20	SCR-00001	SCREW 十字盘头 M2.5X6	4

PART NAME: 7mm 测试夹具	Designed:	ZC. Wu	2022/11/24		
	Checked:	ZC. Wu	2022/11/24		
DRAWING NO. : TFF-00103	Approval:	KL. Wang	2022/11/24	TOLERANCES ON	
	The first angle projection: 				
DESCRIPTION: TEST FIXTURE	Sheet 1 of 1			DECIMALS	ANGLES
	Scale:	Unit:	-	.x ±0.10	±0.5°
	1:1	mm		.xx ±0.05	
				.xxx ±0.02	