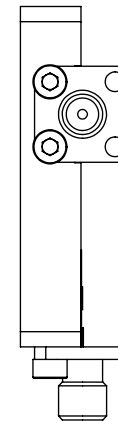
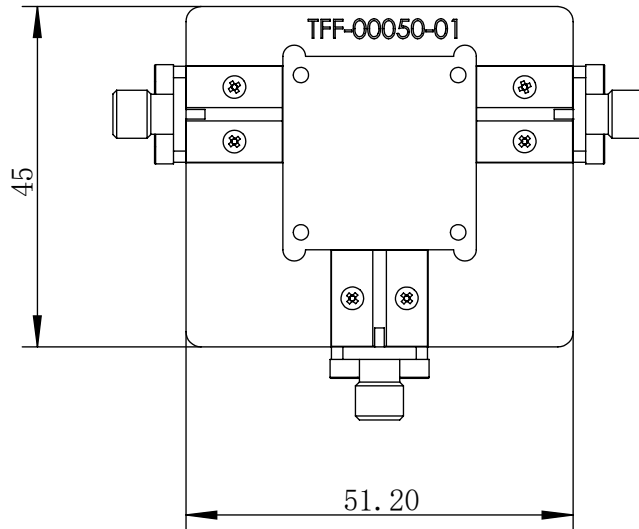
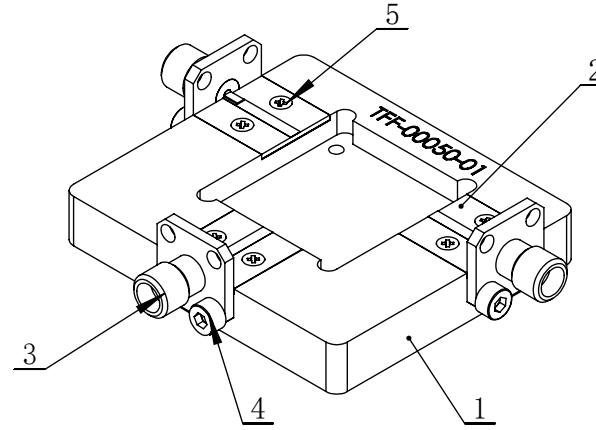
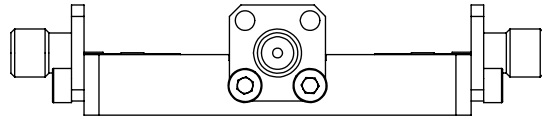

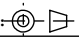


RoHS COMPLIANT

REVISIONS			
REV.	DESCRIPTION	DATE	REVISOR
A	Producing release	2023/4/6	ZZ. Zhu



项目号	零件号	说明	数量
1	TFF-00050-01	Test Block	1
2	PCB-00007	PCB	3
3	CON-00001	CONNECTOR SMA-F	3
4	SCR-00008	M2. 5X6内六角螺丝	6
5	SCR-00024	十字沉头 M1. 6x4 SCREW	6

PART NAME: 测试夹具	Designed:	ZZ. Zhu	2023/4/6		
	Checked:	ZC. Wu	2023/4/6		
DRAWING NO. : TFF-00050	Approval:	KL. Wang	2023/4/6	TOLERANCES ON	
	The first angle projection: 				DECIMALS
DESCRIPTION: Test Fixture	Sheet 1 of 1			±0.20	±0.5°
	Scale: 1:1	Unit: mm	-		