

Travelling Merchant: _____

DATASHEET

Standard: **DPAF32K76801**

Plot			The Label
Drew	Audited	Approved	Stamp, please! Thanks!
Ella	Carry	Jason	
Date: 2023.11.09			

Guangdong Dapu Telecom Technology Co.,LTD

Building 5, No.24, Industrial Road East, Songshanhu Park, Dongguan, Guangdong, P.R. China

TEL: 0086-0769-88010888 FAX: 0086-0769-81800098

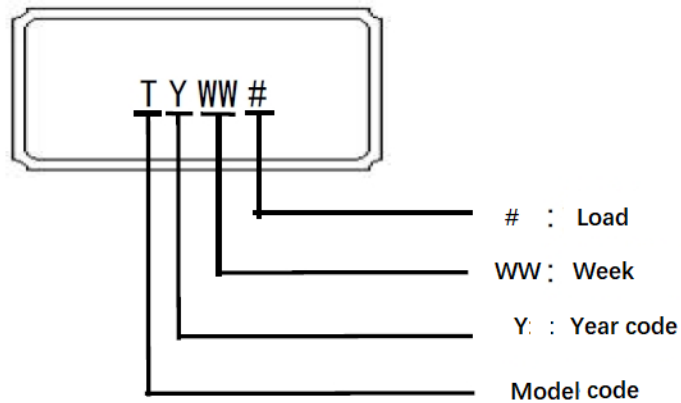
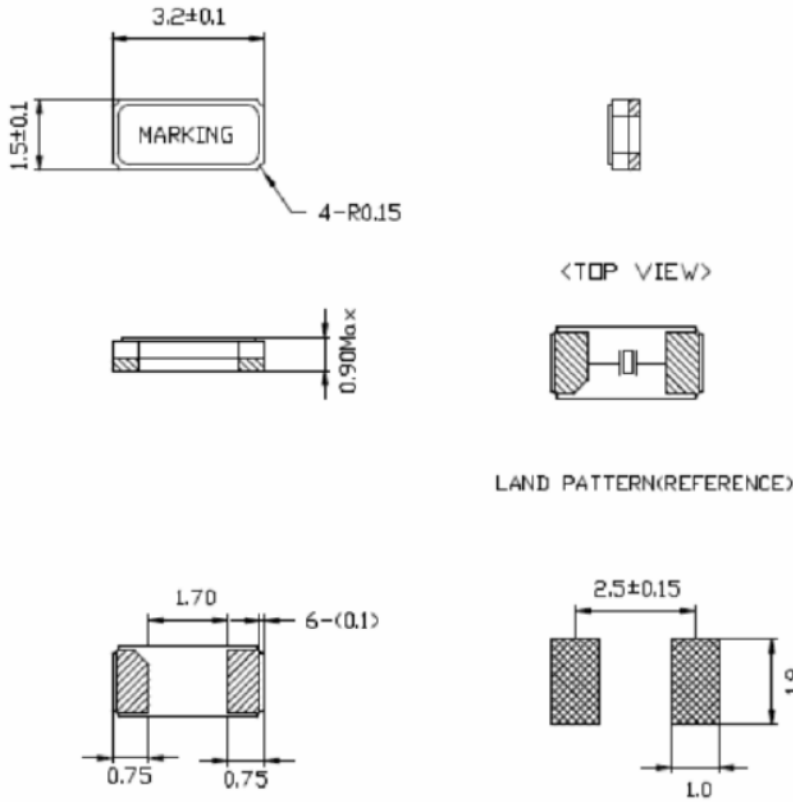


1、 Electrical Parameters

MODEL: DPAF32K76801							
No.	Parameters	SYM.	Electrical Spec.				Notes
			Min.	Typ.	Max.	Units	
1	Nominal Frequency	FL	32.768			KHz	
2	Oscillation Mode	-	Fundamental			-	
3	Load Capacitance	CL	12.5			pF	
4	Frequency Tolerance	-	-10	~	+10	$\times 10^{-6}$	at 25°C \pm 3°C
5	Parabolic Coefficient	-	-0.04	~	-0.02	PPM/°C ²	
6	Operating Temperature	-	-40	~	+85	°C	
7	Storage Temperature Range	-	-55	~	+125	°C	
8	Aging	-	-3	~	+3	$\times 10^{-6}$	Per year
9	Drive Level	DL	-	0.1	0.5	uW	
10	Equivalent Series Resistance	Rr	-	-	70	K Ω	
11	Shunt Capacitance C0	C0	-	1.1	-	pF	
12	Motional Capacitance	C1	-	4.1	-	fF	
13	Insulation Resistance	-	500	-	-	M Ω	at DC 100V
14	Quality Factor	Q	13			K	



2、Mechanical Structure(mm)

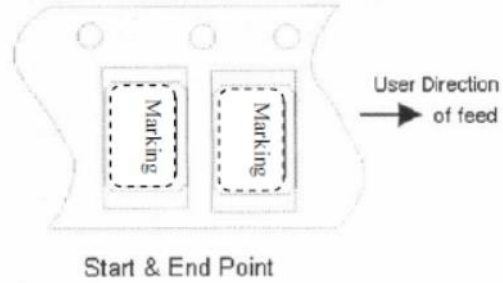
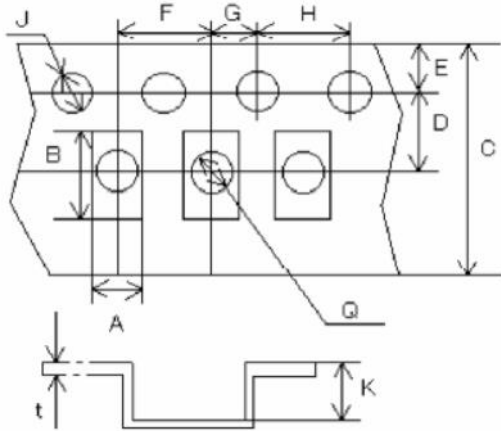


Year: 2021 2022 2023 2024 2025 2026 2027 2028 2029 2030
 Code: 1 2 3 4 5 6 7 8 9 0
 (*This Year code will be cycled every ten years.)

Load: A→12.5PF、B→9PF、C→7PF、D→6PF



3、 Package: Tape & Reel (mm)



A	B	C	D	E	F	G	H	J	K	t
1.75	3.45	12.0	5.5	1.75	4.0	2.0	4.0	1.5	1.0	0.25

REMARK :

