

CUSTOMER: _____

DATASHEET

PRODUCT TYPE: **DPTC2520**

DAPU P/N: **T2520C-Q3A9-25.00MHz**

Plot			The Label
Drew	Audited	Approved	Stamp, please! Thanks!
Jianhua LIN	David	William	
Date: 2023.11.29			

Guangdong Dapu Telecom Technology Co.,Ltd

Building 5, No.24, Industrial East Road, Songshanhu Park, Dongguan, Guangdong, P.R. China

TEL: 0086-0769-88010888 FAX: 0086-0769-81800098



Table of amendment

Version	Revision contents	Prepared by	Revised date
1.0	The first issued	Lin jianhua	2023.11.29



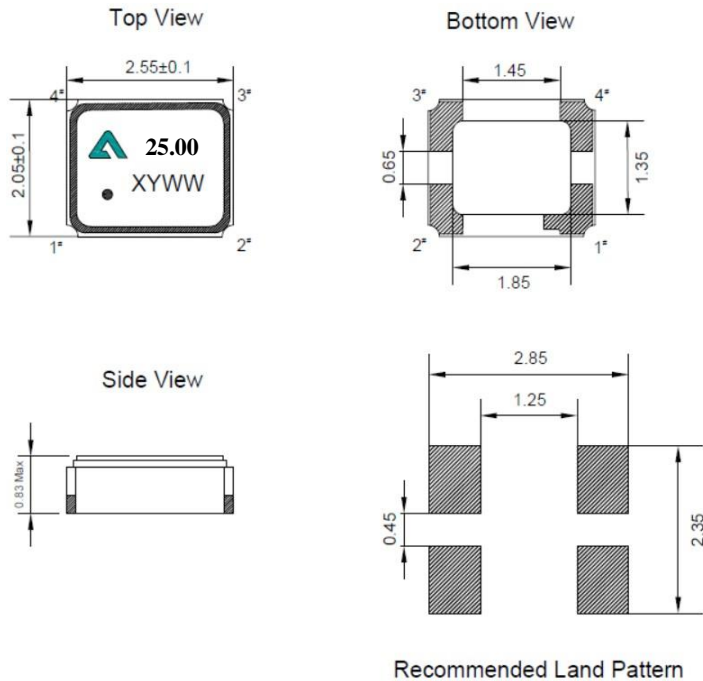
1、Electrical Parameters

MODEL: T2520C-Q3A9-25.00MHz						
Item	Description	Parameters			Unit	Test Condition
		Min.	Typ.	Max.		
Output	Frequency	25.00			MHz	
	Output Waveform	CMOS				
	Load	15			pF	
	Logic High	90%			%	V _{CC}
	Logic Low			10	%	V _{CC}
	Rise/Fall Time			8	ns	10%~90%V _{CC}
	Duty Cycle	45	50	55	%	
	Start Up Time			1.5	ms	More than 90% of final output voltage.
Frequency Stability	Initial Tolerance	-2		+2	× 10 ⁻⁶	@25 ± 2°C, 2H, after 2 times reflow soldering, base on nominal frequency.
	vs. Operating Temperature Range	-1		+1	× 10 ⁻⁶	-40°C ~85°C (Reference 25°C) .
	Frequency Tolerance vs. Supply Voltage	-0.1		+0.1	× 10 ⁻⁶	Measurement referenced to frequency observed with T _A =25°C, V _{CC} ±5%, and O _{Load} =15pF.
	Frequency Tolerance vs. Load	-0.1		+0.1	× 10 ⁻⁶	Measurement referenced to frequency observed with T _A =25°C, V _{CC} =3.3V, and O _{Load} =15pF ± 5%.
	Aging Tolerance 1 Year	-1.0		+1.0	× 10 ⁻⁶	T _A =25 °C , V _{cc} =3.3V , and after 1h of operation.
Phase Noise (SSB)	Phase Noise@25 ± 2°C		-55	-50	dBc/Hz	1Hz
			-93	-88		10Hz
			-123	-118		100Hz
			-145	-138		1KHz
			-154	-148		10KHz
			-157	-152		100KHz
			-157	-152		1MHz
Power Supply	Current consumption			4	mA	@25°C, V _{cc} =3.3V, O _{Load} =15pF.
	Supply Voltage	1.70	3.30	3.60	V	



Environmental Conditions	Operable Temperature	-40		+85	°C	
	Storage Temperature	-55		+125	°C	
	ESD Level	Human Body Model,class2: 2000V ; ANSI/ESDA/JEDEC JS-001-2010.				
		Machine Model, class B: 200V; JEDEC JESD22-A115C.				
	Moisture Sensitivity Level	Level 1.				
	Vibration	Test Condition: 0.75mm ;acceleration:10g;10Hz~2000Hz, one cycle per 30 min, test 2 hour. (3 times for each 3 directions X , Y , Z) .IEC 68-2-06 Test Fc.				
Shock	100g; 6ms; half sine wave (3 times for each 3 directions X , Y , Z) ,IEC 68-2-27 Test Ea/Severity 50A.					
Full Package Storage	Relative humidity (%)	20%~70%				
	Temperature (°C)	-10~35°C				

2、 Mechanical Structure(mm)



Name	Funtion
Pin 1	Manufacturer test only, N/C or connect to GND/Vcc
Pin 2	GND
Pin 3	OUTPUT
Pin 4	VCC

Note1: N/C is not connected.

Note2: X representative internal code ,Y representative year, WW representative week.

3. Reflow Soldering Curve (RoHS)

