

Travelling Merchant: _____

DATASHEET

Standard: DP4X26M00004

Plot			The Label
Drew	Audited	Approved	Stamp, please! Thanks!
Ella	Carry	Jason	
Date: 2023.09.18			

Guangdong Dapu Telecom Technology Co.,Ltd

Building 5, No.24, Industrial Road East, Songshanhu Park, Dongguan, Guangdong, P.R. China

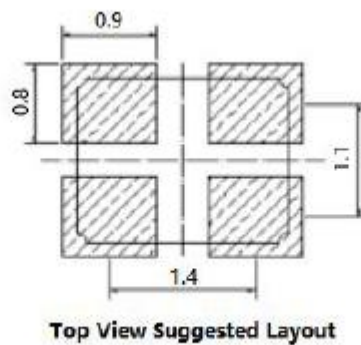
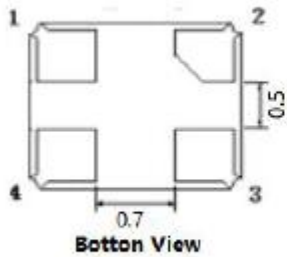
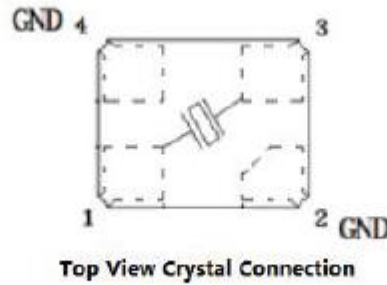
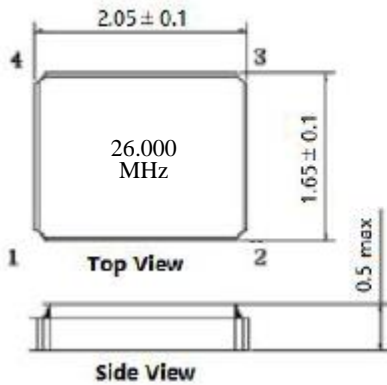
TEL: 0086-0769-88010888 FAX: 0086-0769-81800098



1、 Electrical Parameters

MODEL: DP4X26M00004							
No.	Parameters	SYM.	Electrical Spec.				Notes
			Min.	Typ.	Max.	Units	
1	Nominal Frequency	FL	26.000			MHz	
2	Mode of Vibration	-	Fundamental			-	
3	Load Capacitance	CL	9			pF	
4	Frequency Tolerance	FL	-10	-	+10	$\times 10^{-6}$	@ 25°C +/-2°C
5	Stability over operation temperance	TC	-15	-	+15	$\times 10^{-6}$	T _A =25°C
7	Aging	-	-2	-	+2	$\times 10^{-6}$	First Year
8	Drive Level	DL	1	100	200	μW	
9	Effective Resistance Rr	Rr	-	-	40	Ω	
10	Shunt Capacitance C0	C0	-	-	3	pF	
11	Insulation Resistance	-	500	-	-	MΩ	At DC 100V
12	Operating Temperature		-40	~	+85	°C	
13	Storage Temperature Range	-	-55	~	+125	°C	
14	Moisture Sensitivity Level	Level 1.					

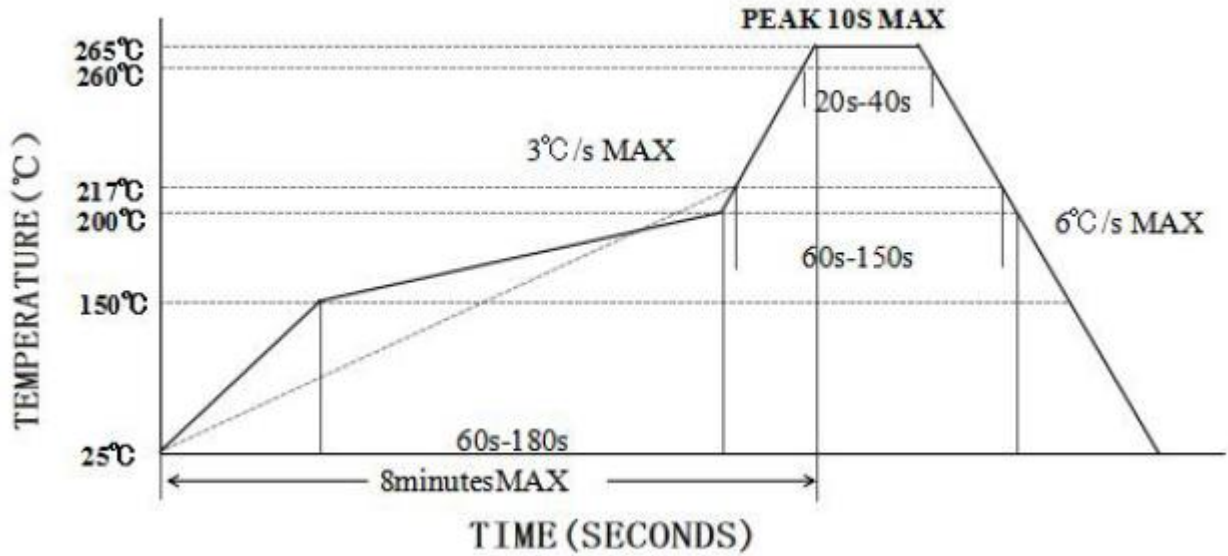
2、 Mechanical Structure(mm)



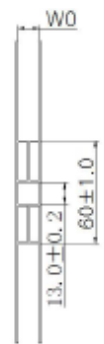
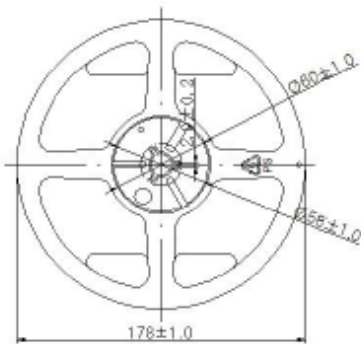
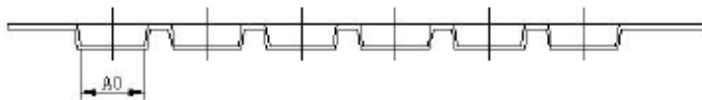
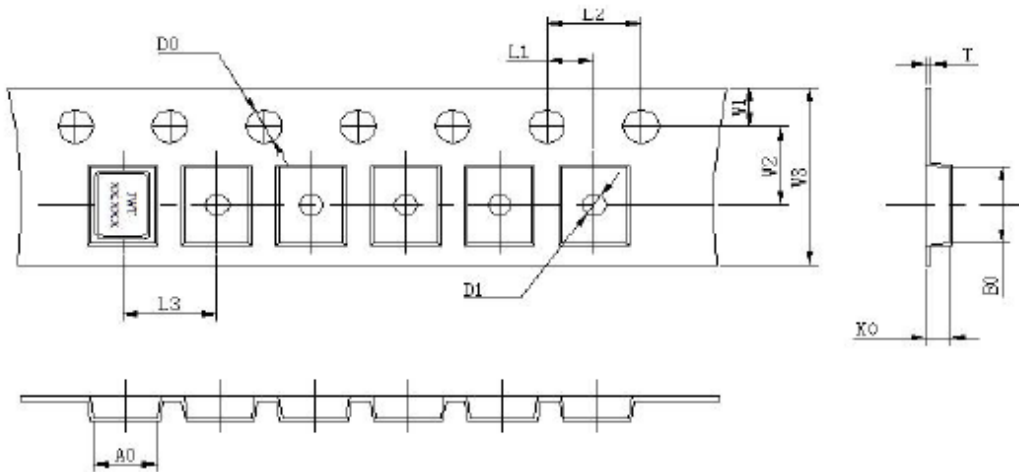
Pin 1	Xtal
Pin 2	GND
Pin 3	Xtal
Pin 4	GND



3、 Reflow Soldering Curve (RoHS)



4、 Packing(mm)



L1	2.00±0.1
L2	4.00±0.1
L3	4.00±0.1
D0	1.50±0.1
D1	0.6±0.1
W0	8.50±0.2
W1	1.75±0.1
W2	3.50±0.1
W3	8.00±0.1
A0	1.85±0.1
B0	2.25±0.1
K0	0.65±0.1
T	0.25±0.05