

Travelling Merchant: _____

DATASHEET

Standard: **DPAF32768016**

RDTEMPH900478

Plot			The Label
Drew	Audited	Approved	Stamp, please! Thanks!
Date: 2022.12.20			

Guangdong Dapu Telecom Technology Co.,LTD

Building 5, No.24, Industrial Road East, Songshanhu Park, Dongguan, Guangdong, P.R. China

TEL: 0086-0769-88010888 FAX: 0086-0769-81800098

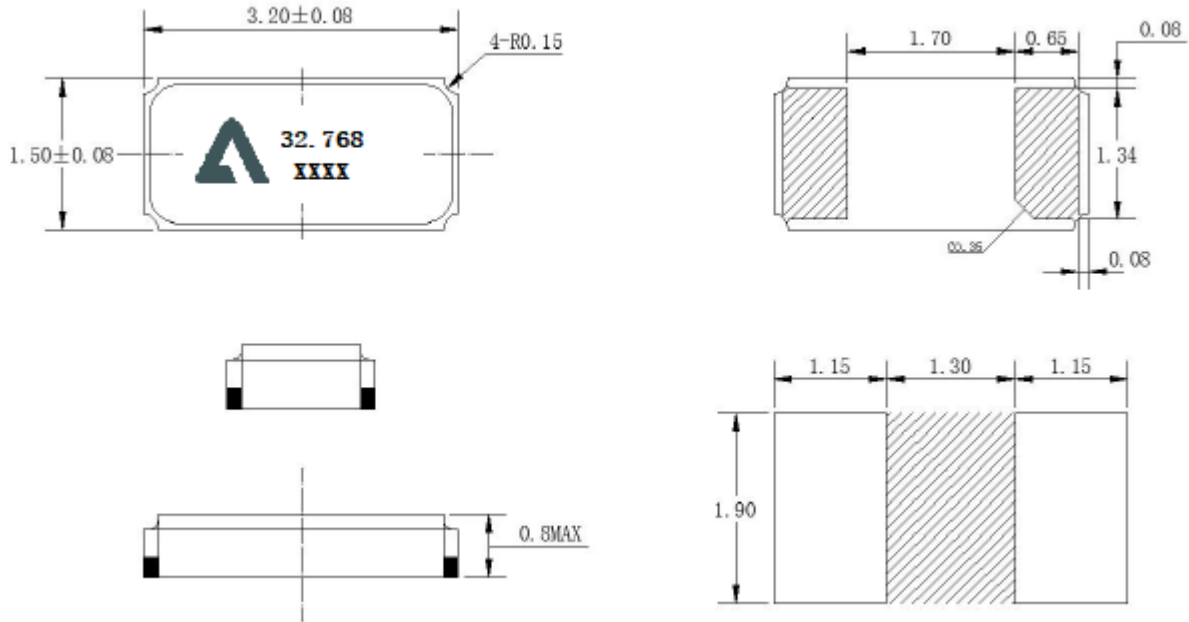


1、 Electrical Parameters

MODEL: DPAF32768016							
No.	Parameters	SYM.	Electrical Spec.				Notes
			Min.	Typ.	Max.	Units	
1	Nominal Frequency	FL	32.768			KHz	
2	Oscillation Mode	-	Fundamental			-	
3	Load Capacitance	CL	12.5			pF	
4	Frequency Tolerance	-	-20	~	+20	$\times 10^{-6}$	at 25°C± 3°C
5	Parabolic Coefficient	-	-0.04	-0.034	-0.028	PPM/°C ²	
6	Operating Temperature	-	-40	~	+85	°C	
7	Storage Temperature Range	-	-55	~	+125	°C	
8	Drive Level	DL	-		1	uW	
9	Equivalent Series Resistance	Rr	-	-	70	KΩ	
10	Shunt Capacitance C0	C0			1.5	pF	
11	Insulation Resistance	-	500	-	-	MΩ	at DC 100V



2、 Mechanical Structure(mm)



Note: The first two xx representative: year
After two xx representative: week



3、 Package: Tape & Reel (mm)

