

# 5mm SMD CIRCULATOR

RF component

Datasheet Rev.:           A            
Date:           2023.10.27          

**Customer:**

**Product Name:**

DP-CL0525A748

DP-CL0525B748

**Customer P/N:**



GuangdongDapuTelecomTechnologyCo.,Ltd Building5, No.24, Gongye East Road,  
<http://www.dptel.com> SSL Sci & Tech Industry Park,  
Dongguan, Guangdong, China  
TEL:0086-0769-88010888  
FAX:0086-0769-81800098

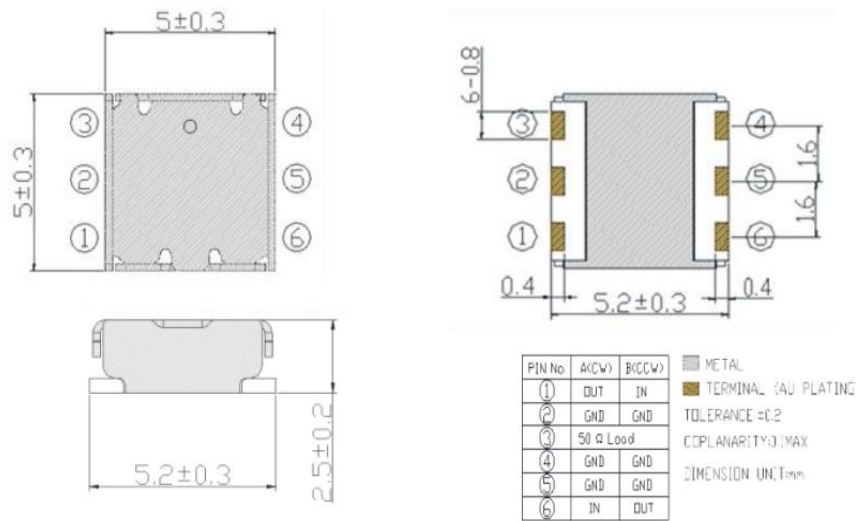
Approved	Checked	Designer
Nick	Wison	ZC.Wu

# 5mm SMD CIRCULATOR

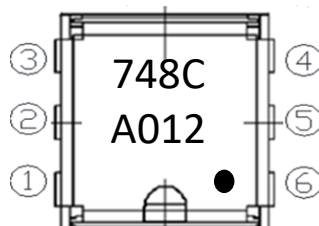
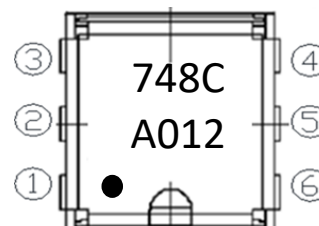
RF component

 Datasheet Rev.:           A            
 Date:           2023.10.27          

## MECHANICAL SPECIFICATION



## MARKING

Clockwise	CounterClockwise	①/⑥: Out/In Port ③: 50 Ω Load ②④⑤: Ground  C Circulator A: Year 01: Week of Year 2: Day of Week ●: Input Port
DP-CL0525A748	DP-CL0525B748	
		

Year Code	
Year	Code
2019	A
2020	B
2021	C
2022	D
2023	E
2024	F
...	...

Week Code	
Week	Code
1	01
2	02
3	03
4	04
5	05
6	06
...	...

Day Code	
Day	Code
Monday	1
Tuesday	2
Wednesday	3
Thursday	4
Friday	5
Saturday	6
Sunday	7

# 5mm SMD CIRCULATOR

RF component

Datasheet Rev.:           A            
 Date:           2023.10.27          

## TEMPERATURE RANGE

Operating temperature range: -40~+85°C

Storage temperature range: -40~+125°C

## ELECTRICAL CHARACTERISTICS

Parameter	L0525	Frequency (MHz)			DP Spec		
					Min.	Typ.	Max.
Frequency range	DP-CL0525	729		768	729		768
Insertion Loss	dB	-		-			0.95
Isolation	dB	-		-	10		
Return Loss	dB	-		-	12		
IMD3 (2*25dBm, Span 5MHz)	dBc						
IMD3 typical	dBc						
Power Handling (Average)	W						5
Power Handling (Peak)	W						10
Reflection power	W						2
Characteristic Impedance (ohm)	Ω					50	
Case Style	-					SMD	

## NOTES

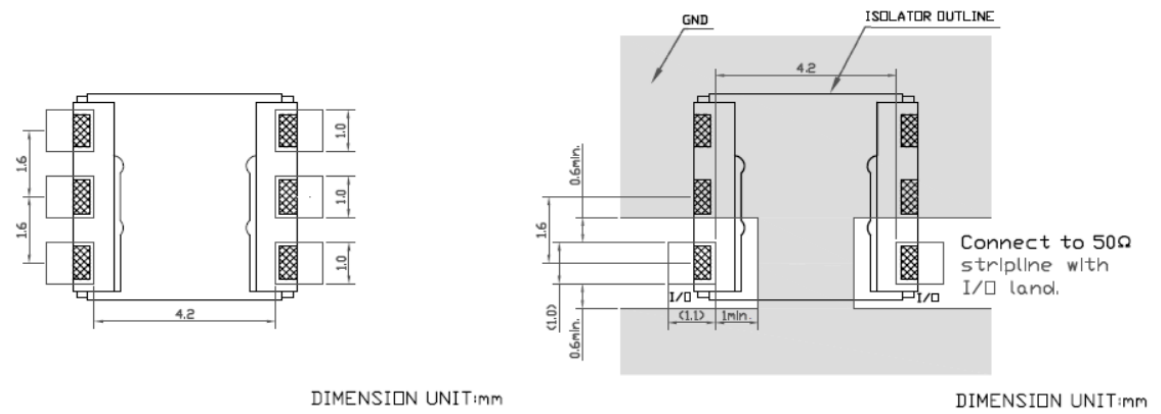
1. Recommend to keep 30mm above when mounted with other magnetic products.
2. RoHS compliance.
3. Isolator's characteristics are guaranteed at conditions listed at above table and it's operating temperature range.

# 5mm SMD CIRCULATOR

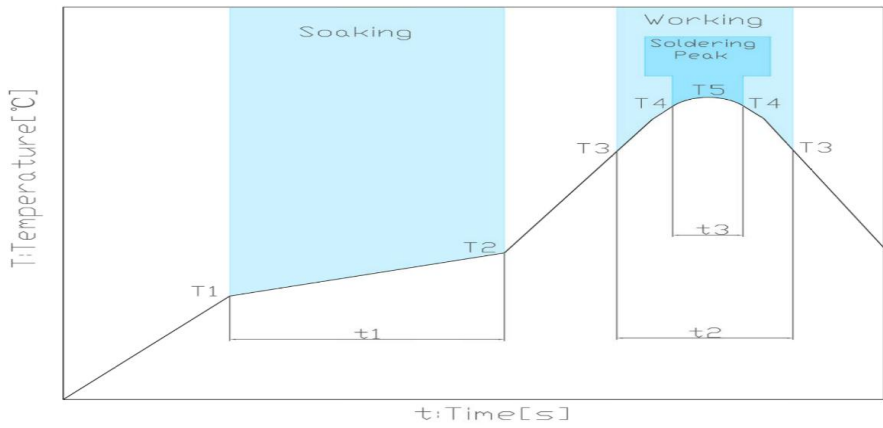
RF component

Datasheet Rev.: A  
Date: 2023.10.27

### RECOMMENDED LAND PATTERN



### RECOMMENDED REFLOW PROFILE



Soaking			Working		Soldering Peak		
Temp.	T2	Time	Temp.	Time	Temp.	Time	Temp.
T1	T2	t1	T3	t2	T4	t3	T5
150°C	180°C	60 to 120s	230°C	30 to 60s	250°C	within 10s	260°C max.

# 5mm SMD CIRCULATOR

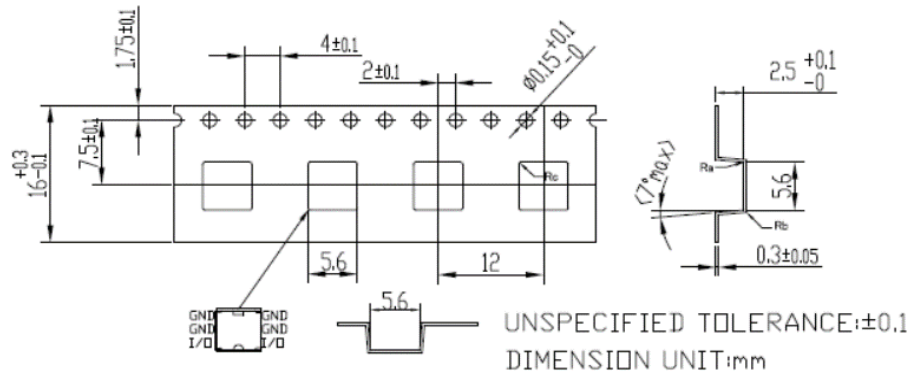
RF component

Datasheet Rev.:           A            
 Date:           2023.10.27          

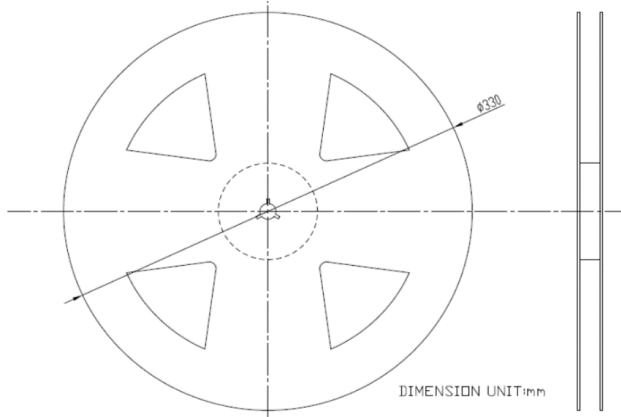
## PACKING STYLE

### REEL DIMENSIONS

Reel side  $\longrightarrow$  Pulling side



### TAPE DIMENSIONS



### PACKAGE QUANTITY

1400 PCS/REEL

# 5mm SMD CIRCULATOR

RF component

Datasheet Rev.:           A            
 Date:           2023.10.27          

## Revision Records

Rev.	Date	PIC	Change item	Reasons for change
A	2023.10.27	ZC.Wu	New Release	
B				
C				
D				
E				
F				
G				
H				