

Travelling Merchant: \_\_\_\_\_

# DATASHEET

Standard: DP8Z24M00003

Plot			The Label
Drew	Audited	Approved	Stamp, please! Thanks!
Ella	Carry	Jason	
Date: 2023.09.15			

## Guangdong Dapu Telecom Technology Co.,LTD

Building 5, No.24, Industrial East Road, Songshanhu Park, Dongguan, Guangdong, P.R. China

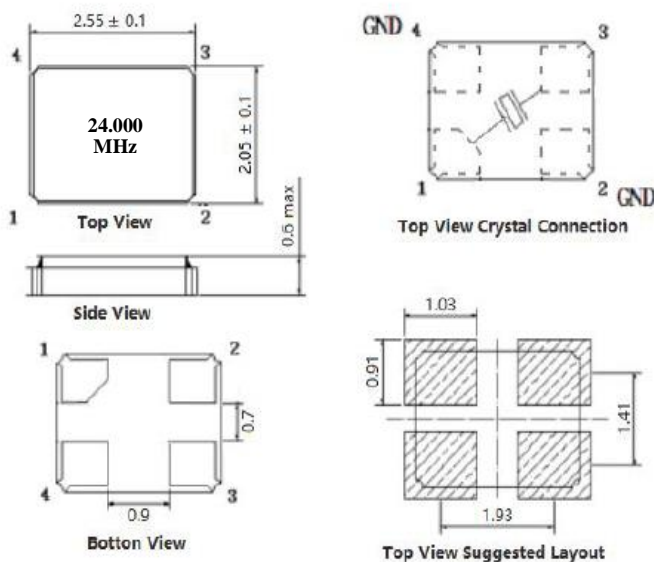
TEL: 0086-0769-88010888 FAX: 0086-0769-81800098



## 1、Electrical Parameters

MODEL: DP8Z24M00003								
No.	Parameters	SYM.	Electrical Spec.				Notes	
			Min.	Typ.	Max.	Units		
1	Nominal Frequency	FL	24.000			MHz		
2	Oscillation Mode	-	Fundamental				AT-CUT	
3	Load Capacitance	LC	22			pF		
4	Frequency Tolerance	FL	-15		+15	$\times 10^{-6}$	25°C +/- 2°C	
5	Frequency Stability Over Operating Temp. Range	TC	-30		+30	$\times 10^{-6}$	@25°C	
6	Operating Temperature	-	-20		+70	°C		
7	Storage temperature range	-	-55		+125	°C		
8	Aging	-	-2		+2	$\times 10^{-6}$	1st year	
9	Drive Level	DL	1	100	200	μW		
10	Resonance Resistance	RR			60	Ω		
11	Shunt Capacitance C0	C0	-	-	3	pF		
12	Insulation R	IR	500			MΩ	DC 100V	
13	Moisture Sensitivity Level	Level 1.						

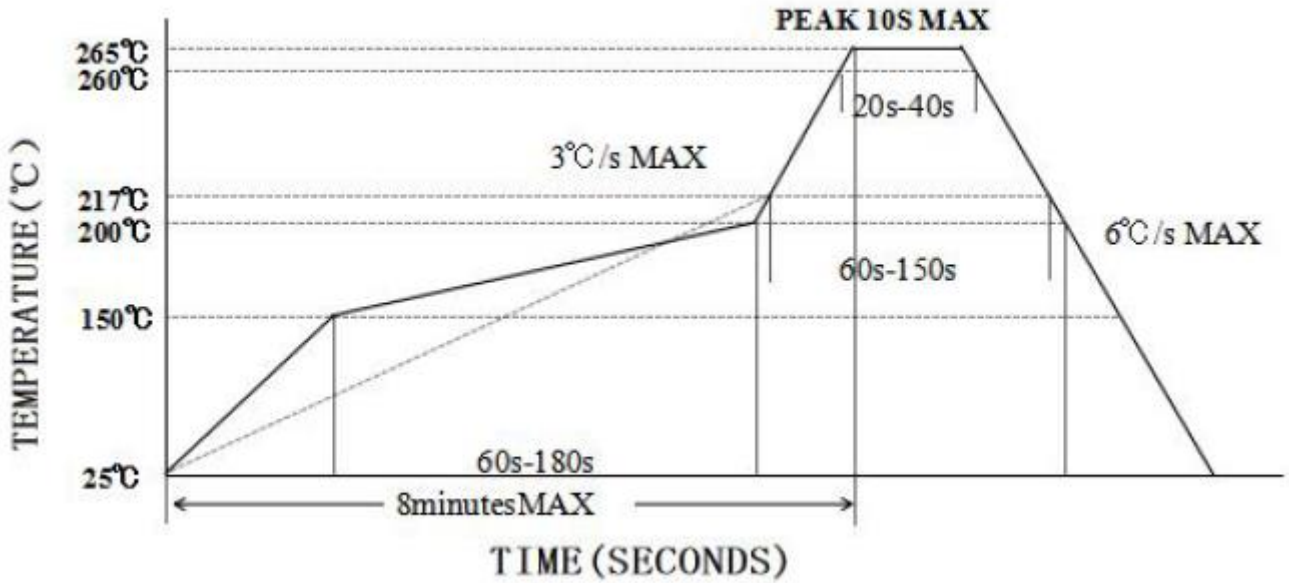
## 2、Mechanical Structure(mm)



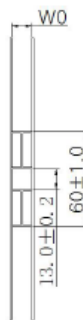
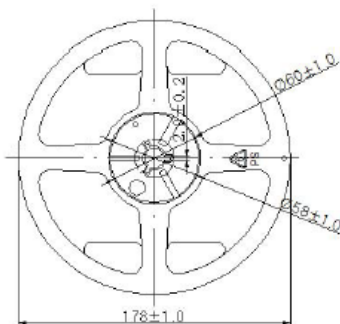
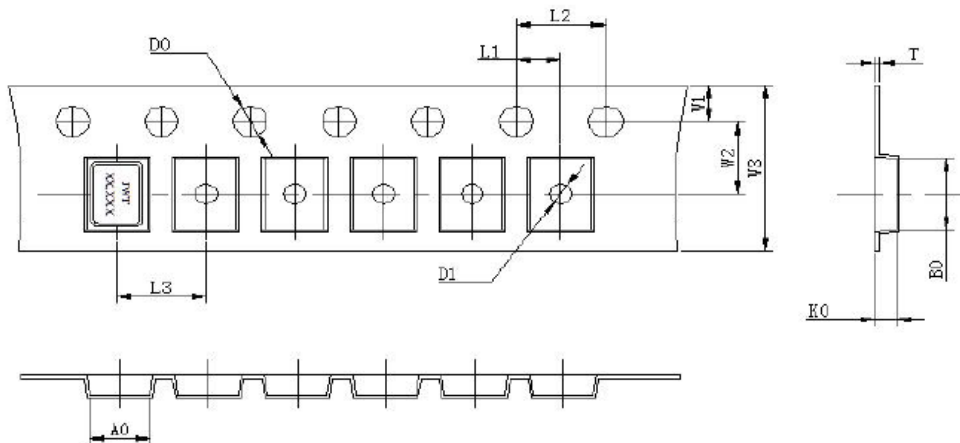
Pin 1	Xtal
Pin 2	GND
Pin 3	Xtal
Pin 4	GND



### 3、 Reflow Soldering Curve (RoHS)



### 4、 Packing(mm)



L1	2.00±0.1
L2	4.00±0.1
L3	4.00±0.1
D0	1.50±0.1
D1	1.00±0.1
W0	8.50±0.2
W1	1.75±0.1
W2	3.50±0.1
W3	8.00±0.1
A0	2.25±0.1
B0	2.70±0.1
K0	0.80±0.1
T	0.25±0.05