

5mm SMD ISOLATOR

RF component

Datasheet Rev.: C
Date: 2023.08.29

Customer:

Product Name:

DP-IL0520A634
DP-IL0520B634

Customer P/N:



GuangdongDapuTelecomTechnologyCo.,Ltd Building5, No.24, Gongye East Road,
<http://www.dptel.com> SSL Sci & Tech Industry Park,
Dongguan, Guangdong, China
TEL: 0086-0769-88010888
FAX: 0086-0769-81800098

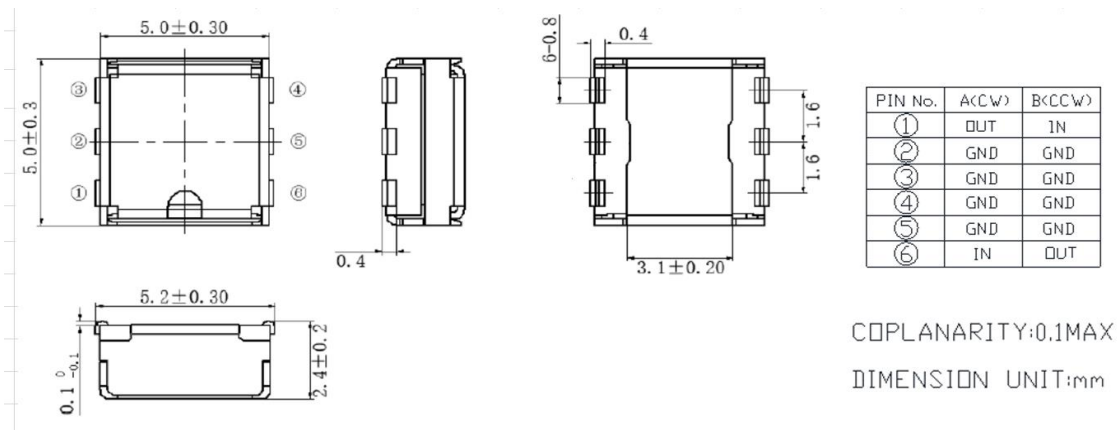
Approved	Checked	Designer
Nick	Wison	ZC.Wu

5mm SMD ISOLATOR

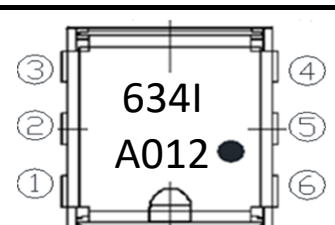
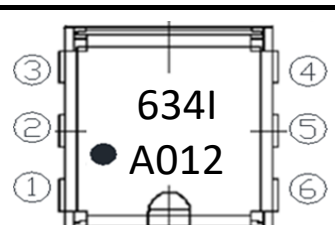
RF component

Datasheet Rev.: C
 Date: 2023.08.29

MECHANICAL SPECIFICATION



MARKING

Clockwise	CounterClockwise	①/⑥ : Out/In Port ②~⑤: Ground
DP-IL0520A634	DP-IL0520B634	
		I: Isolator A: Year 01: Week of Year 2: Day of Week ●: Input Port

Year Code	
Year	Code
2019	A
2020	B
2021	C
2022	D
2023	E
2024	F
...	...

Week Code	
Week	Code
1	01
2	02
3	03
4	04
5	05
6	06
...	...

Day Code	
Day	Code
Monday	1
Tuesday	2
Wednesday	3
Thursday	4
Friday	5
Saturday	6
Sunday	7

5mm SMD ISOLATOR

RF component

Datasheet Rev.: C
 Date: 2023.08.29

TEMPERATURE RANGE

Operating temperature range : -40~+85°C

Storage temperature range: -55~+125°C

ELECTRICAL CHARACTERISTICS

Parameter	Unit	Frequency (MHz)		DP Spec			
				Min.	Typ.	Max.	
Frequency range	MHz	617		652	617		652
Insertion Loss <-40~-20°C>	dB	-		-			1.60
Insertion Loss <-20~+50°C>	dB						0.85
Insertion Loss <+50~+85°C>	dB						2.50
Isolation <-40~-20°C>	dB	-		-	10		
Isolation <-20~+50°C>	dB				10		
Isolation <+50~+85°C>	dB				8		
Return Loss <-40~-20°C>	dB	-		-	9.5		
Return Loss <-20~+50°C>	dB				14		
Return Loss <+50~+85°C>	dB				6		
Power Handling (Average)	W						5
Power Handling (Peak)	W						10
Reflection power	W						2
Characteristic Impedance (ohm)	Ω					50	
Case Style	-					SMD	

NOTES

1. Recommend to keep 30mm above when mounted with other magnetic products.
2. RoHS compliance.
3. Isolator's characteristics are guaranteed at conditions listed at above table and it's operating temperature range.

5mm SMD ISOLATOR

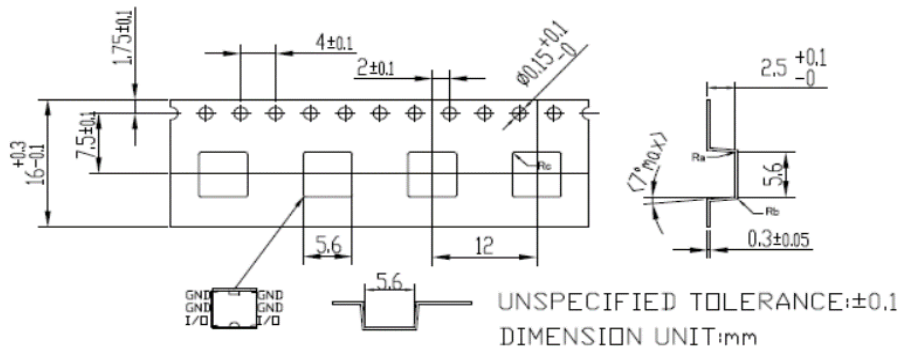
RF component

Datasheet Rev.: C
 Date: 2023.08.29

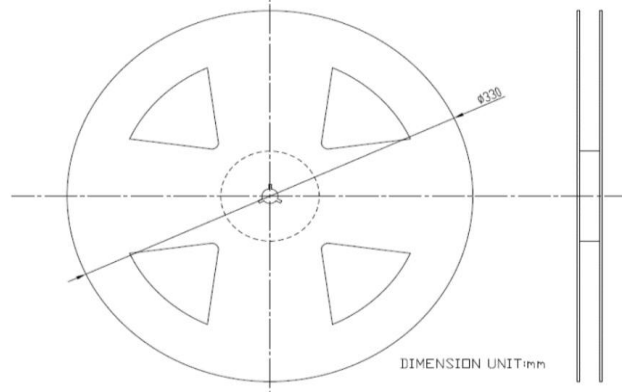
PACKING STYLE

REEL DIMENSIONS

Reel side \longrightarrow Pulling side



TAPE DIMENSIONS



PACKAGE QUANTITY

2000 PCS/REEL

5mm SMD ISOLATOR

RF component

Datasheet Rev.: C
 Date: 2023.08.29

Revision Records

Rev.	Date	PIC	Change item	Reasons for change
A	2022.09.08	ZC.Wu	New regulations	
B	2023.06.28	ZC.Wu	ELECTRICAL CHARACTERISTICS	
C	2023.8.29	ZZ.Zhu	Update the tag	
D				
E				
F				
G				
H				