

Travelling Merchant: _____

DATASHEET

Standard: **T22-S539-26.00MHz-A**

P/N: _____

Plot			The Label
Drew	Audited	Approved	Stamp, please! Thanks!
Date: 2020.11.11			

Guangdong Dapu Telecom Technology Co.,Ltd

Bldg13-16,.N.Ind.Zone,SSL Industry Park, Dongguan City, Guangdong Province, China

TEL: 0086-0769-88010888 FAX: 0086-0769-81800098



Version	Revision contents	Prepared by	Revised date
1.0	The first issued	<i>Amway</i>	2020.11.11

DAPU Confidential



1. Electrical Parameters

MODEL: T22-S539-26.00MHz-A						
Item	Description	Parameters			Unit	Test Condition
		Min.	Typ.	Max.		
Output	Frequency	26.00			MHz	
	Output Waveform	Clipped Sine Wave				
	Vp-p	0.8			V	
	Startup time			2	ms	
	Symmetry	40		60	%	GND level(DC cut)
	Harmonics			-5	dBc	
	Load	10KΩ//10pF				
Frequency Stabilities	Tolerance	-1.5		+1.5	$\times 10^{-6}$	After 2 times reflow,Ref. to before reflow frequency, leave after reflow in 2h or more at room ambient.
	Temperature Stability	-0.5		+0.5	$\times 10^{-6}$	-40°C to 85°C, T _A =25°C
	Frequency Tolerance vs. Supply Voltage	-0.2		+0.2	$\times 10^{-6}$	Measurement referenced to frequency observed T _A =25°C, V _{cc} varied from 2.66V to 2.94V, and O _{Load} =10KΩ//10pF.
	Frequency Tolerance vs. Load	-0.2		+0.2	$\times 10^{-6}$	10% load change measurement referenced to frequency observed with T _A =25°C, V _{cc} =2.8V, O _{Load} =10KΩ//10pF.
	Aging	-1		+1	$\times 10^{-6}$	@25°C, Per year.
Power Supply	Current Consumption			1.5	mA	@25°C, V _{cc} =2.8V, O _{load} =10KΩ//10pF.
	Supply Voltage	2.66	2.8	2.94	V	
Phase Noise	Phase Noise @ 25°C			-130	dBc/Hz	1KHz

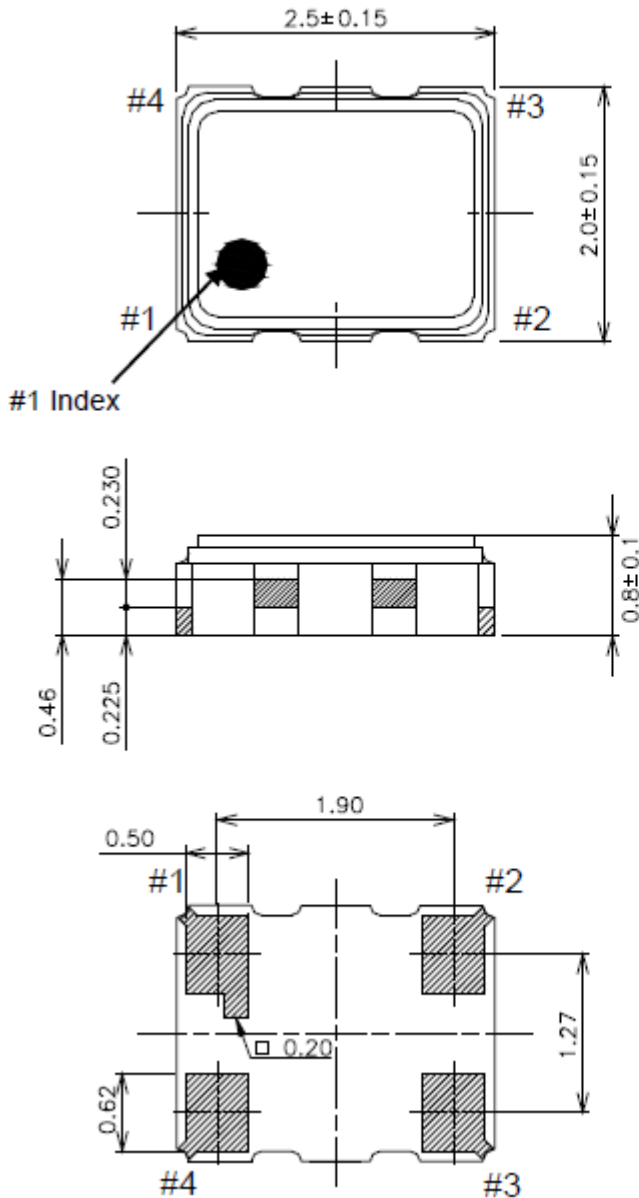


Environmental Conditions	Operable Temperature	-40		+85	°C	
	Storage Temperature	-40		+85	°C	
	ESD Level	Human Body Model, class2: 2000V to 4000V; ANSI/ESDA/JEDEC JS-001-2010.				
		Machine Model, class B: 200V to 400V; JEDEC JESD22-A115C.				
	Moisture Sensitivity Level	Level 2.				
	Vibration	Test Condition: 0.75mm ;acceleration:10g;10Hz~2000Hz, one cycle per 30 min, test 2 hours. (3 times for each 3 directions X , Y , Z) .IEC 68-2-06 Test Fc.				
Shock	100g; 6ms; half sine wave (3 times for each 3 directions X , Y, Z),IEC 68-2-27 Test Ea/Severity 50A.					
Full Package Storage	Relative humidity (%)	20% ~ 70%				
	Temperature (°C)	-10~35°C				

DAPU Confidential



2. Mechanical Structure(mm)



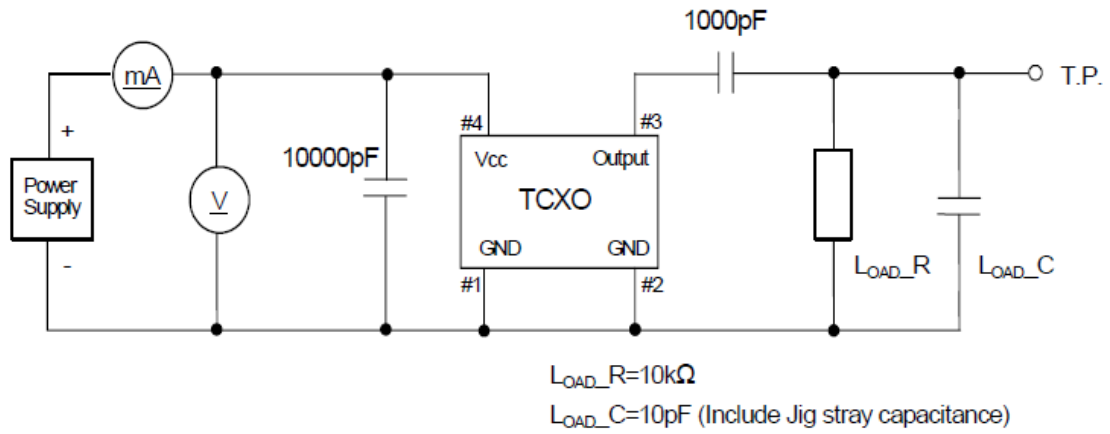
Pin Connections

Pin No.	Connection
#1	GND
#2	GND
#3	Output
#4	Vcc

Note1: Tolerance ± 0.15 mm without mark



3. Test Circuit



4. Reflow Soldering Curve (RoHS)



5. Package: Tape & Reel (mm)

