

CUSTOMER: \_\_\_\_\_

# DATASHEET

PRODUCT TYPE: \_\_\_\_\_ DPTC2520 \_\_\_\_\_

DAPU P/N: T2520C-A579-26.00MHz-N

Plot			The Label
Drew	Audited	Approved	
Jianhua			
LIN	David	William	
Date: 2023.08.21			Stamp, please! Thanks!



### Table of amendment

Version	Revision contents	Prepared by	Revised date
1.0	The first issued	Jianhua LIN	2023.08.21



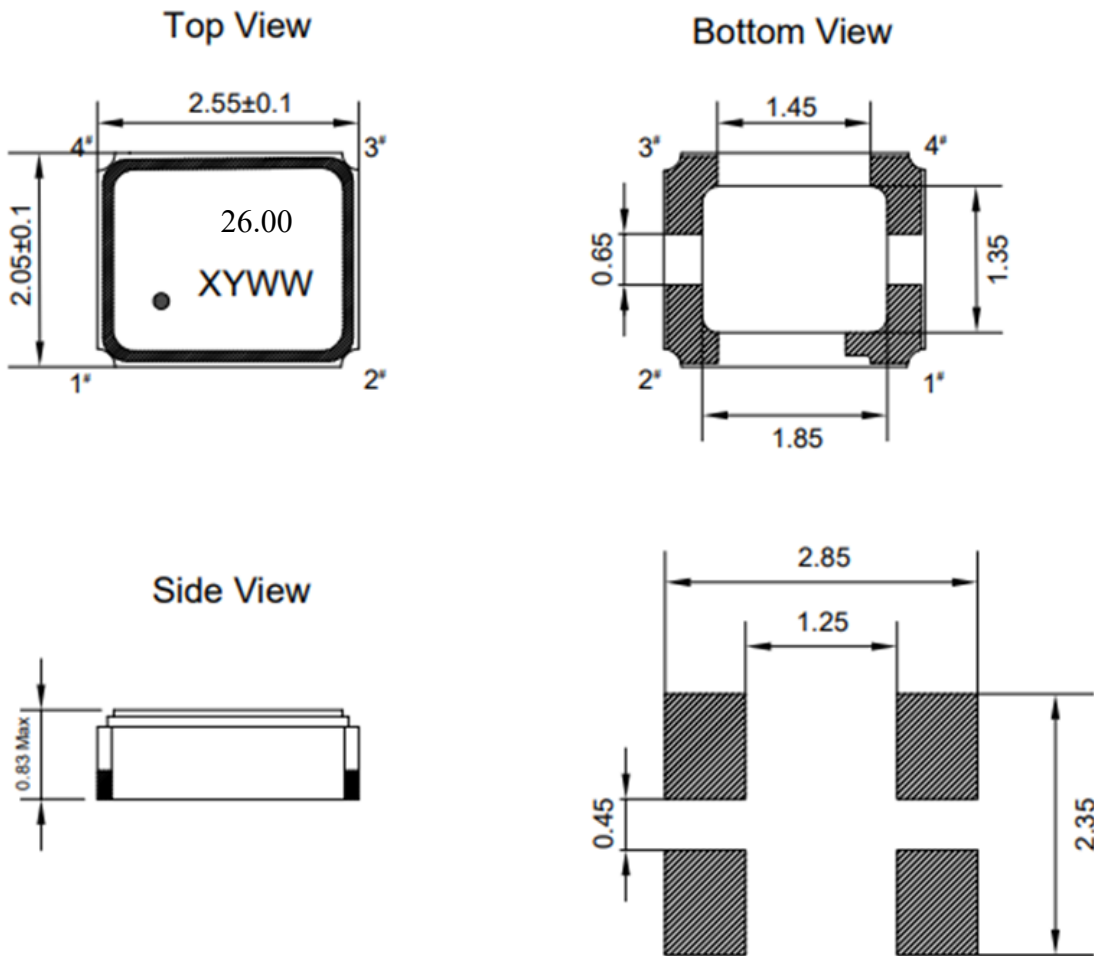
## 1. Electrical Parameters

MODEL: T2520C-A579-26.00MHz-N						
Item	Parameters	Specifications				Test Condition
		Min.	Typ.	Max.	Unit	
Output	Nominal Frequency	26			MHz	
	Output Waveform	Clipped Sine Wave				
	Output Level	0.8			Vp-p	
	Spurious Suppression			-8	dBc	
	Output Load	10KΩ//10pF				
Frequency Stabilities	Frequency Tolerance	-1.5		1.5	ppm	@25±2°C, after 2 times reflow soldering, Ref. to nominal frequency
	vs. Temperature	-0.5		0.5	ppm	T <sub>A</sub> = -40°C ~ 85°C, VCC=1.8, Ref. to f = (f <sub>max</sub> +f <sub>min</sub> )/2
	vs. Supply Voltage	-0.1		0.1	ppm	VCC = 1.8±5%@ TA=25°C
	vs. Load	-0.1		0.1	ppm	Load = (10KΩ//10pF) ± 10%, VCC=1.8V @ TA=25°C
	Aging Tolerance	-1		1	ppm	@T <sub>A</sub> =25°C, Year
	Jitter			8.5	ps	10Hz-1MHz
	Frequency Slope	-0.1		0.1	ppm/°C	T <sub>A</sub> varied from -40°C to 85°C
Power Supply	Current consumption			2	mA	@TA=25°C, VCC=1.8V, Load=10KΩ//10pF.
	Start up Time			2	ms	More than 90% of final output voltage
	Supply Voltage	1.71	1.8	1.89	V	
SSB Phase Noise	Phase Noise@25±2°C		-45	-40	dBc/Hz	1Hz
			-85	-80		10Hz
			-116	-111		100Hz
			-144	-140		1KHz
			-155	-151		10KHz
			-160	-156		100KHz
			-161	-157		1MHz
Environmental Conditions	Operable Temperature	-40		85	°C	
	Storage Temperature	-55		105	°C	
	ESD Level	Human Body Model,class2: 3000V; ANSI/ESDA/JEDEC JS-001-2010.				
		Machine Model, class B: 200V; JEDEC JESD22-A115C.				
Moisture Sensitivity Level	Level 1.					



	Vibration	Test Condition: 0.75mm ;acceleration:10g;10Hz~2000Hz, one cycle per 30 min, test 2 hour. (3 times for each 3 directions X ,Y , Z) .IEC 68-2-06 Test Fc.
	Shock	100g; 6ms; half sine wave (3 times for each 3 directions X ,Y , Z),IEC 68-2-27 Test Ea/Severity 50A.
Full Package Storage	Relative humidity (%)	20%~70%
	Temperature (°C)	-10~35°C

**2. Mechanical Structure(mm)**



**Recommended Land Pattern**

PIN NAME	CONNECTION
PIN1	NC
PIN2	GND
PIN3	OUTPUT
PIN4	VCC

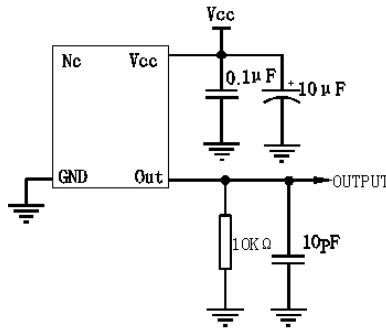
Note1: N/C is not connected



### 3. Marking Information

<p><b>26.00:</b> Frequency 26.00Mhz <b>X:</b> Lot No. <b>Y:</b> Year <b>WW:</b> Week <b>● :</b> Pin1 Index</p>	
--	--

### 4. Test Circuit



### 5. Reflow Soldering Curve (RoHS)

