

Customer Code : _____

DATASHEET

DAPU P/N: **V936-J001-100.00MHz**

Customer P/N: _____

DAPU			Customer Approval
Drew	Audited	Approved	Stamp, please! Thanks!
<i>Anway.wei</i>	<i>Tony · Wang</i>	<i>James.Liu</i>	
Date: 2019.08.05			

Guangdong Dapu Telecom Technology Co.,Ltd

Bldg 16,.N.Ind.Zone,SSL Industry Park, Dongguan City, Guangdong Province, China

TEL: 0086-0769-88010888 FAX: 0086-0769-81800098



1. Electrical Parameters

MODEL: V936-J001-100.00MHz						
Item	Description	Parameters			Unit	Test Condition
		Min.	Typ.	Max.		
Output	Frequency	100.00			MHz	
	Output Waveform	Sine Wave				
	Level	7	10		dBm	
	Harmonics Suppression			-25	dBc	
	Load		50		Ω	
Frequency Stabilities	Overall Frequency	-30		+30	$\times 10^{-6}$	Overall, including temperature, aging 10 years, shock and vibration @Vc=Vcc/2
	Initial Frequency Tolerance	-5		+5	$\times 10^{-6}$	Measurement referenced to frequency observed with T _A =25°C, V _{cc} =5.0V, V _c =2.5V, within 30 days after ex-works.
	Absolute Pull Range	10			$\times 10^{-6}$	Over all conditions
Power Supply	Supply current		48	100	mA	
	Supply Voltage	4.75	5.0	5.25	V	
	Jitter		0.2		ps	
	Modulation Bandwidth	20			kHz	At Vc= Vcc/2,-3dB
	Input Impedance	50			K Ω	@Fmod<100KHz
Phase Noise	Phase Noise @25°C		-85		dBc/Hz	10Hz
			-115			100Hz
			-145			1KHz
			-165			10KHz
			-170			100KHz
			-170			1MHz

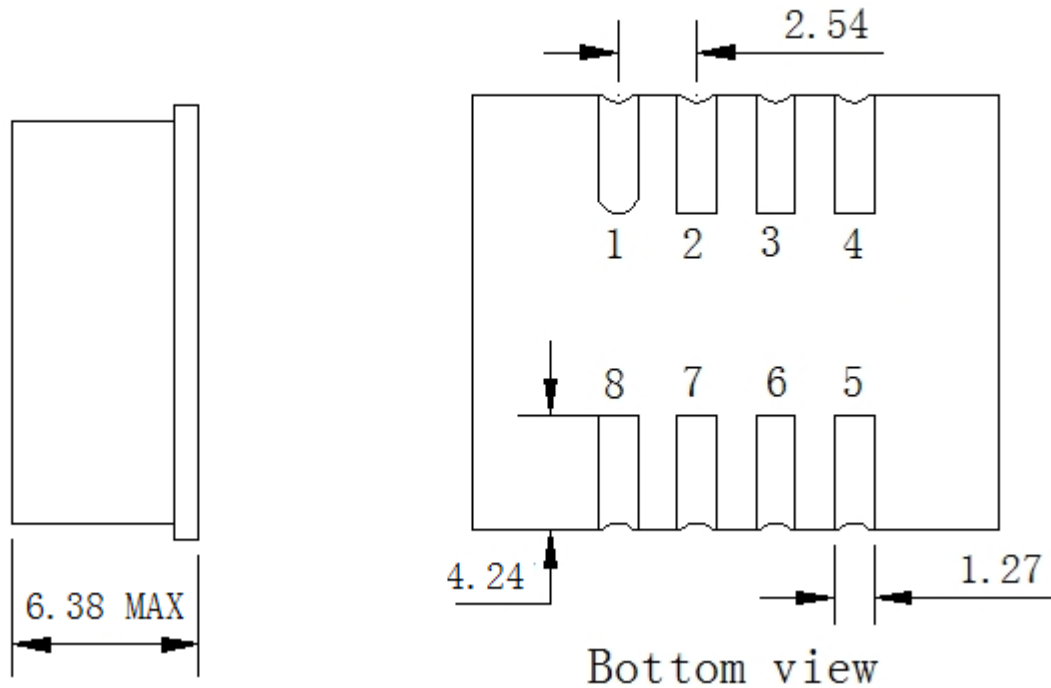


Environmental Conditions	Operable Temperature	-40		+85	°C	
	Storage Temperature	-55		+105	°C	
	ESD Level	Human Body Model, class2: 2000V to 4000V; ANSI/ESDA/JEDEC JS-001-2010.				
		Machine Model, class B: 200V to 400V; ANSI/ESDA/JEDEC JS-001-2010.				
	Moisture Sensitivity Level	Not humidity sensitive.				
	Vibration	Test Condition: 0.75mm ;acceleration:10g;10Hz~2000Hz, one cycle per 30 min, test 2 hour. (3 times for each 3 directions X , Y , Z) .IEC 68-2009 Test Fc.				
Shock	100g; 6ms; half sine wave (3 times for each 3 directions X , Y, Z),IEC 68-2009 Test Ea/Severity 50A.					
Full Package Storage	Relative humidity (%)	20%~70%				
	Temperature (°C)	-10~35°C				

DAPU Confidential

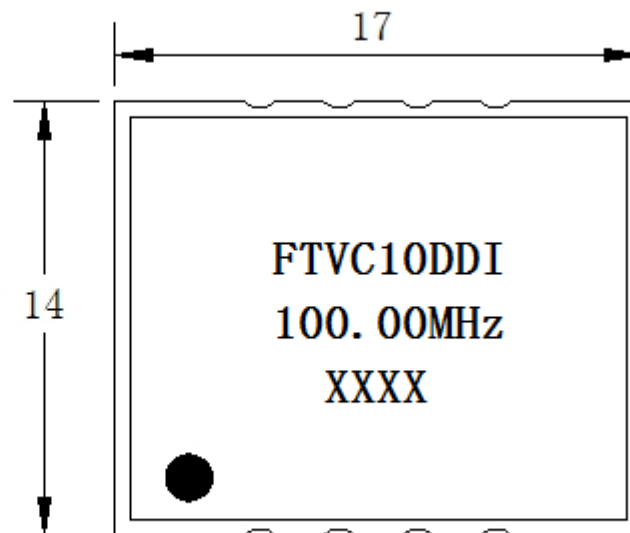


2. Mechanical Structure(mm)



PIN FUNCTION

Pin	Function
1	VCC
2, 3, 4, 7	GND
5	OUTPUT
6	NC
8	VC



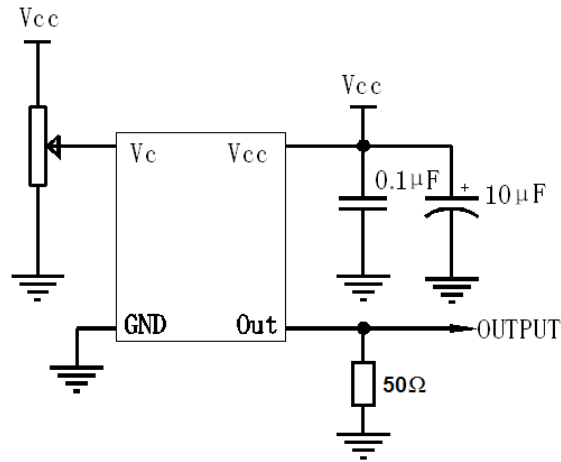
Top view

Note1: Tolerance ± 0.20 mm without mark

Note2: The first two xx representative: week
After two xx representative: year



3. Test circuit



4. Reflow Soldering Curve (RoHS)

