

Customer Code : _____

DATASHEET

DAPU P/N: DPDE10000001

| Plot | | | The Label |
|------------------|---------|----------|------------------------|
| Drew | Audited | Approved | Stamp, please! Thanks! |
| | | | |
| Date: 2021.12.23 | | | |

Guangdong Dapu Telecom Technology Co.,Ltd

Building 5, No.24, Industrial Road East, Songshanhu Park, Dongguan, Guangdong, P.R. China

TEL: 0086-0769-88010888 FAX: 0086-0769-81800098

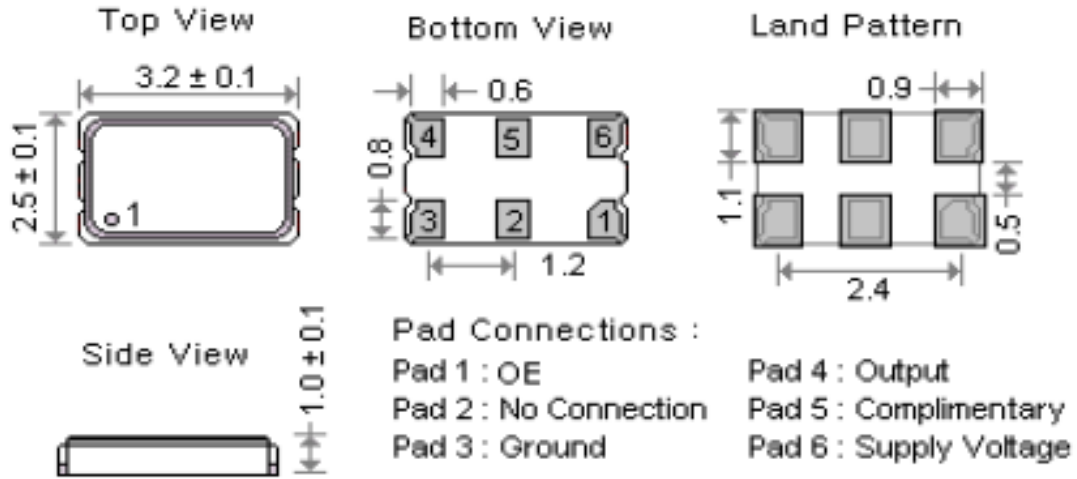


1、Electrical Parameters

| MODEL: DPDE10000001 | | | | | | | |
|---------------------|-------------------------|---------|------------------|------|-------|--------------------|--------------------------------------|
| No. | Parameters | SYM. | Electrical Spec. | | | | Notes |
| | | | Min. | Typ. | Max. | Units | |
| 1 | Nominal Frequency | FL | 100.00 | | | MHz | |
| 2 | Output Waveform | | LVDS | | | | |
| 3 | Load | | 100 | | | Ohms | |
| 4 | Supply Voltage | | 3.135 | 3.3 | 3.465 | V | |
| 5 | Frequency Stability | F-stab | -25 | | +25 | $\times 10^{-6}$ | Over Operating Temperature |
| 6 | Operating Temperature | T-opr | -40 | ~ | +85 | $^{\circ}\text{C}$ | |
| 7 | Storage Temperature | T-stg | -55 | ~ | +125 | $^{\circ}\text{C}$ | |
| 8 | Supply Current | | - | 16 | | mA | |
| 9 | Load | | | 50 | | Ω | 50 Ω to ground on each output |
| 10 | Rise/Full Time | Tr、Tf | | 0.2 | | ns | 20%~80% |
| 11 | Output High Level | | | 1.4 | 1.6 | V | RL=100 Ω |
| 12 | Output Low level | | 0.9 | 1.1 | | V | RL=100 Ω |
| 13 | Output Voltage Swing | | 250 | 350 | 450 | mV | |
| 14 | Duty Cycle | DC | 45 | | 55 | % | Measured at 1.25V |
| 15 | Start up Time | T_start | - | 5 | | ms | |
| 16 | Jitter RMS(12KHZ-20MHZ) | | | 0.2 | | ps | |
| 17 | Aging | | -3 | | +3 | $\times 10^{-6}$ | First year |



2、Mechanical Structure(mm)

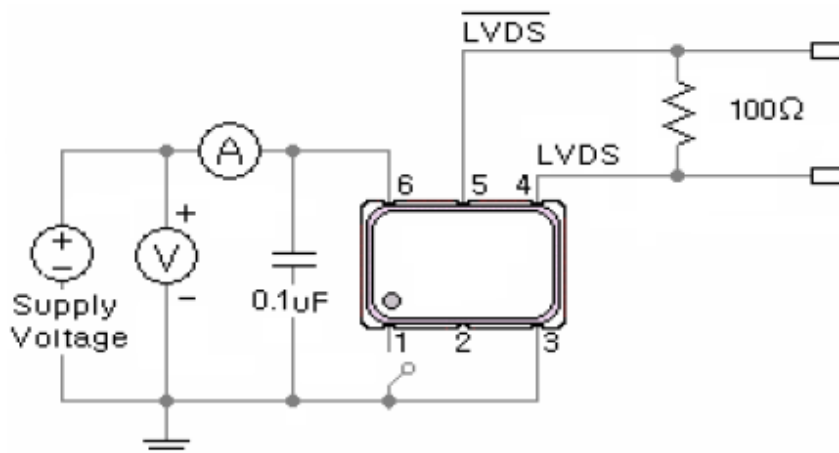


| | |
|-------------------------|---|
| OE Function on pad No.1 | Enable: When 70% min. of VDD to Enable Output. Enable time : 10 ms max. |
| | Disable: When 30% max. of VDD to Disable Output. Disable current : 10 uA max.(OE ≅ 0.3V) , Disable time : 0.2 us max. |

Note1: Tolerance ±0.2mm without mark

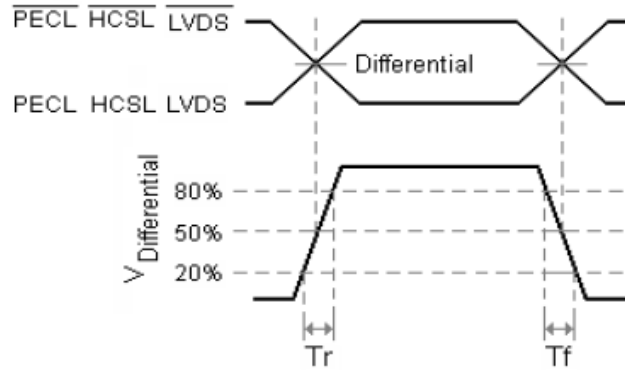
Note2: Referential weight 0.2g

3、Test Circuit

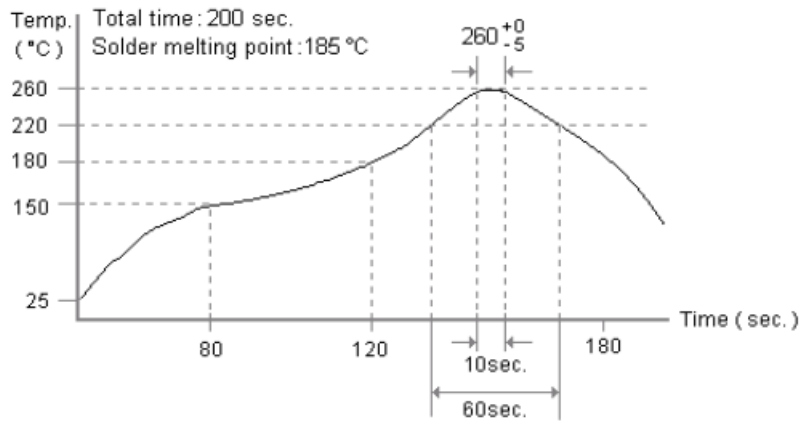




4. Wave Form



5. Reflow Soldering Curve (RoHS)



6. Package: Tape & Reel (mm)

