

5mm SMD ISOLATOR

RF component

Datasheet Rev.: E
Date: 2023.08.08

Customer:

Product Name:

DP-IL0520B1618-J1

Customer P/N:



GuangdongDapuTelecomTechnologyCo.,Ltd
<http://www.dptel.com>

Building5, No.24, Gongye East Road,
SSL Sci & Tech Industry Park,
Dongguan, Guangdong, China
TEL: 0086-0769-88010888
FAX: 0086-0769-81800098

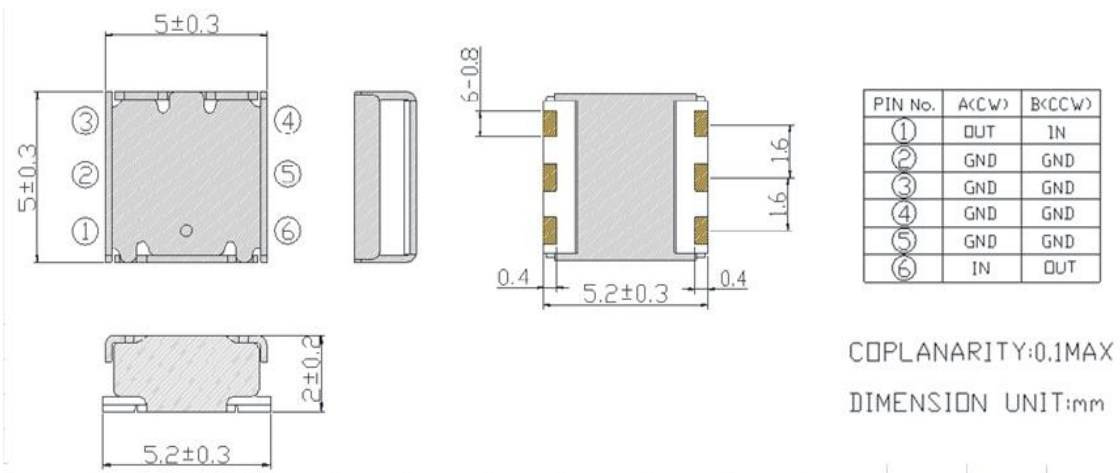
Approved	Checked	Designer
Nick	Wison	ZC.Wu

5mm SMD ISOLATOR

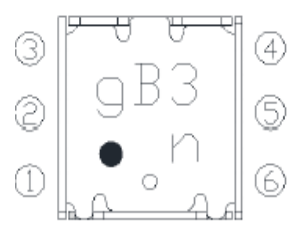
RF component

Datasheet Rev.: E
 Date: 2023.08.08

MECHANICAL SPECIFICATION



MARKING

	CounterClockwise DP-IL0520B1618-J1	①/⑥ : Out/In Port ②~⑤: Ground g: Year/ Month of Production B: Week of Production 3: Day of Production ●: Input Port n: Frequency
		

Year/Month Code											
Year	Month	Code	Year	Month	Code	Year	Month	Code	Year	Month	Code
2022 2026 2030	1	a	2023 2027 2031	1	n	2024 2028 2032	1	A	2025 2029 2033	1	N
	2	b		2	p		2	B		2	P
	3	c		3	q		3	C		3	Q
	4	d		4	r		4	D		4	R
	5	e		5	s		5	E		5	S
	6	f		6	t		6	F		6	T
	7	g		7	u		7	G		7	U
	8	h		8	v		8	H		8	V
	9	j		9	w		9	J		9	W
	10	k		10	x		10	K		10	X
	11	l		11	y		11	L		11	Y
	12	m		12	z		12	M		12	Z

Week Code	
Week	Code
1	A
2	B
3	C
4	D
5	E

Day Code	
Day	Code
Monday	1
Tuesday	2
Wednesday	3
Thursday	4
Friday	5
Saturday	6
Sunday	7

5mm SMD ISOLATOR

RF component

Datasheet Rev.: E
 Date: 2023.08.08

TEMPERATURE RANGE

Operating temperature range: -40~+125°C

Storage temperature range: -55~+125°C

ELECTRICAL CHARACTERISTICS

Parameter	Unit	Frequency (MHz)		DP Spec			
				Min.	Typ.	Max.	
Frequency range	MHz	1610		1626	1610		1626
Insertion Loss <+15~+35°C>	dB	-		-			0.60
Insertion Loss <-40~+85°C>	dB						0.65
Insertion Loss <+85~+125°C>	dB						0.70
Isolation <+15~+35°C>	dB	-		-	15		
Isolation <-40~+85°C>	dB				14		
Isolation <+85~+125°C>	dB				13		
VSWR <+15~+35°C>	:						1.25
VSWR <-40~+85°C>	:						1.30
VSWR <+85~+125°C>	:	-		-			1.60
Power Handling	W						10
Reflection power	W						2
Characteristic Impedance (ohm)	Ω					50	
Case Style	-					SMD	

NOTES

1. Recommend to keep 30mm above when mounted with other magnetic products.
2. RoHS compliance.
3. Isolator's characteristics are guaranteed at conditions listed at above table and it's operating temperature range.

5mm SMD ISOLATOR

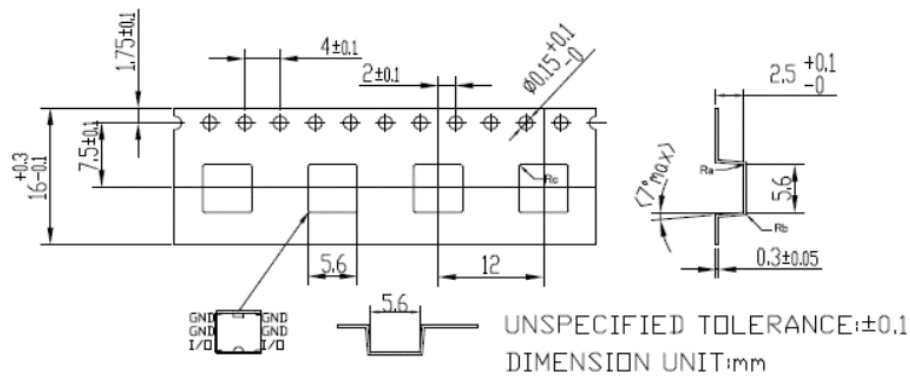
RF component

Datasheet Rev.: E
 Date: 2023.08.08

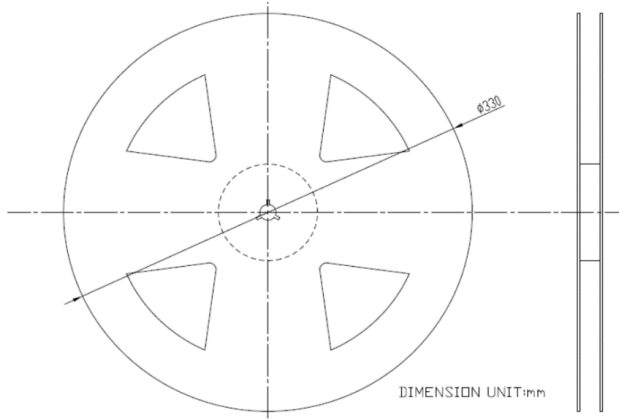
PACKING STYLE

REEL DIMENSIONS

Reel side \longrightarrow Pulling side



TAPE DIMENSIONS



PACKAGE QUANTITY

2000 PCS/REEL

5mm SMD ISOLATOR

RF component

Datasheet Rev.: E
 Date: 2023.08.08

Revision Records

Rev.	Date	PIC	Change item	Reasons for change
A	2021.06.24	Nina	New regulations	
B	2022.06.30	ZC.Wu	Dimension and marking	
C	2022.06.30	ZC.Wu	Improving the operating temperature range from -40~+85℃ to -40~+125℃	
D	2023.06.05	ZZ.Zhu	Update tag	
E	2023.08.08	ZC.Wu	Update Dimension (total height changed from 2.4 to 2.0) and marking	
F				
G				
H				