

Travelling Merchant: _____

DATASHEET

Standard: **T21-S563-16.384MHz**

Plot			The Label
Drew	Audited	Approved	Stamp, please! Thanks!
Date: 2023.03.06			

Guangdong Dapu Telecom Technology Co.,Ltd

Building 5, No.24, Industrial East Road, Songshanhu Park, Dongguan, Guangdong, P.R. China

TEL: 0086-0769-88010888 FAX: 0086-0769-81800098



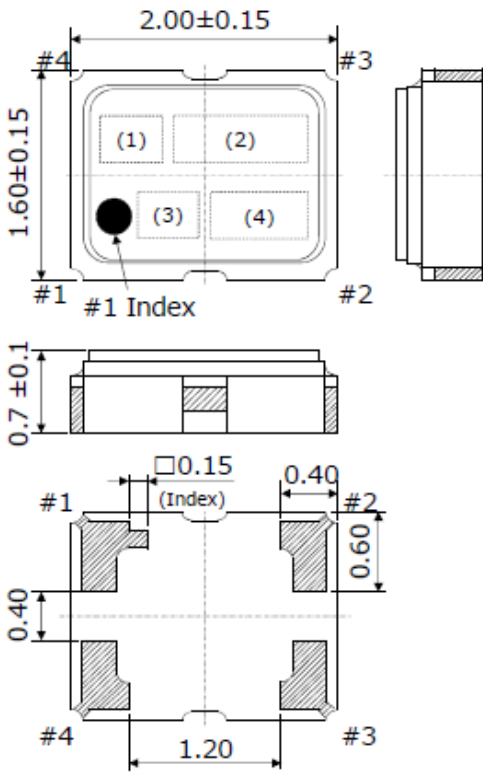
1、 Electrical Parameters

MODEL: T21-S563-16.384MHz

No.	Parameters	SYM.	Electrical Spec.				Notes
			Min.	Typ.	Max.	Units	
1	Nominal Frequency	FL	16.384			MHz	One frequency-division
2	Supply Voltage	VDD	2.85	3.0	3.15	V	
3	Current Drain	-	-	-	1.5	mA	
4	Output Level	-	0.8	-	-	Vp-p	
5	Duty Cycle	-	40	~	60	%	
6	Start Up Time	-	-	-	2.0	ms	@90% of final Vout level
7	Output Waveform	-	Clipped Sine wave			-	
8	Standard Output Load	-	10KΩ//10pF			-	
9	Frequency Stability	vs.Tolerance	-1.5	-	+1.5	$\times 10^{-6}$	After 2 times reflow Ref. to Nominal Frequency
10		vs. Temperature	-0.5	-	+0.5	$\times 10^{-6}$	T _A varied from -40°C to +85°C, Ref. to Frequency T _A =25°C
11		vs. Load	-0.2	-	+0.2	$\times 10^{-6}$	LOAD_R//C=(10kΩ//10pF)± 10%
12		vs. Supply Voltage	-0.2	-	+0.2	$\times 10^{-6}$	V _{cc} =+3.0V±5%
13	Operating Temperature Range	-	-40	~	+85	°C	
14	Storage Temperature	-	-40	~	+85	°C	
15	Aging	-	-1.0	-	+1.0	$\times 10^{-6}$	1st Year
16	Frequency Tuning Range	-	-15	-	-9	$\times 10^{-6}$	V _c =0.5 V. measurement referenced to V _c =1.5V
17		-	+9	-	+15	$\times 10^{-6}$	V _c =2.5V.measurement referenced to V _c =1.5V
18	Linearity	-	-	-	10	%	
19	Slope		Positive				
20	Input Impedance	-	500	-	-	KΩ	
21	Phase Noise	-	-	-	-130		@ 1kHz Offset



2、 Mechanical Structure(mm)



Pin connections

Pin No.	Connection
#1	VCONT
#2	GND
#3	Output
#4	Vcc

Unit : mm

Dimensional tolerance : ±0.15
(Unless otherwise noted)

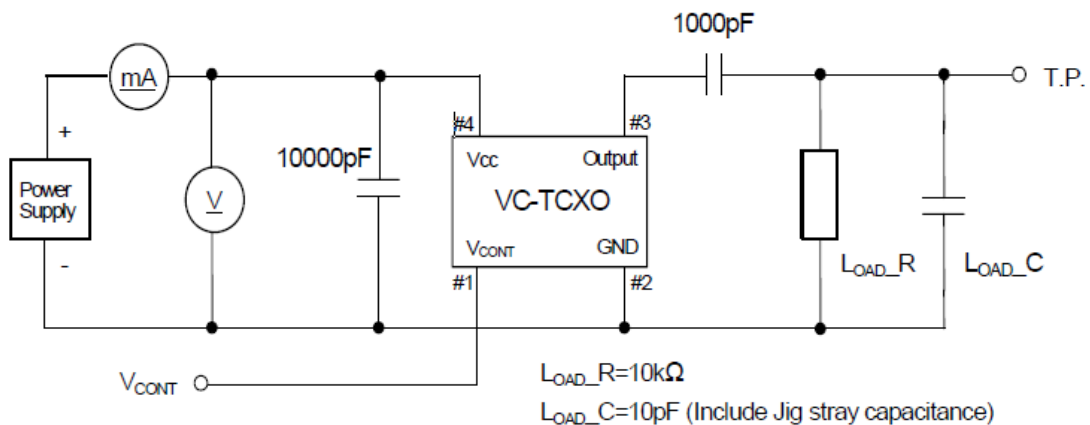
- (1) Model code AN
- (2) Frequency ex.) 16.384MHz → 16.3
- (3) Logo D
- (4) Lot No. ex.) 2022/01/01 → 201

Year : The last digit of the year

Week : We gave the sequence of week numbers 01(first week) for production date.

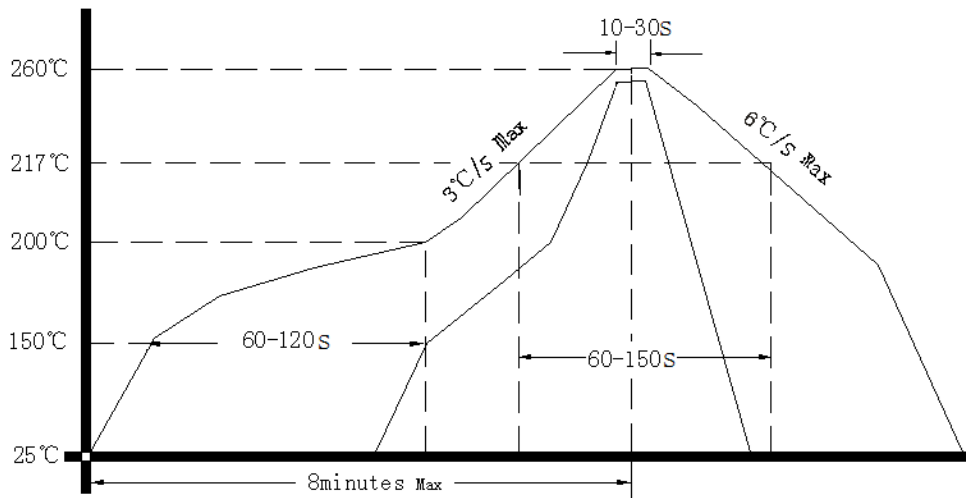
There are starting from 1st of Jan. However, add '0' figure to the first week during the nine weeks.
The week means are from Sunday to Saturday.

3、 Test Circuit





4、 Reflow Soldering Curve (RoHS)



5、 Package: Tape & Reel (mm)

