

Travelling Merchant: _____

DATASHEET

Standard: DP8V25M6250001

Remarks: _____

| Plot | | | The Label |
|------------------|---------|----------|------------------------|
| Drew | Audited | Approved | Stamp, please! Thanks! |
| | | | |
| Date: 2023.08.09 | | | |

Guangdong Dapu Telecom Technology Co.,Ltd

Building 5, No.24, Industrial East Road, Songshanhu Park, Dongguan, Guangdong, P.R. China

TEL: 0086-0769-88010888 FAX: 0086-0769-81800098



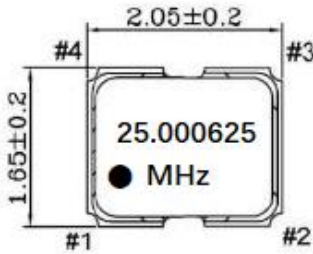
1、Electrical Parameters

| MODEL: DP8V25M6250001 | | | | | | | |
|-----------------------|---|--------|--------------------------|------|---------|-----------------------|-------------------|
| No. | Parameters | SYM. | Electrical Spec. | | | | Notes |
| | | | Min. | Typ. | Max. | Units | |
| 1 | Nominal Frequency | FL | 25.000625 | | | MHz | |
| 2 | Frequency Tolerance | FL | -10 | | +10 | $\times 10^{-6}$ | |
| 3 | Frequency Stability Over Operating Temp. Range | TC | -15 | ~ | +15 | $\times 10^{-6}$ | |
| 4 | Operating Temperature | Topr | -40 | ~ | +85 | °C | |
| 5 | Storage Temperature | Tstg | -55 | ~ | +125 | °C | |
| 6 | Supply Voltage | VDD | 1.8 \pm 10% | | | V | |
| 7 | Input Current | Icc | - | - | 10 | mA | |
| 8 | Output waveform | - | CMOS | | | - | |
| 9 | Output Load: CMOS | CL | | | 15 | pF | |
| 10 | Output Voltage High | VoH | 90% Vdd | - | - | V | |
| 11 | Output Voltage Low | Vol | - | - | 10% Vdd | V | |
| 12 | Rise/ Fall Time | Tr/ Tf | - | - | 5 | ns | 10%~90% Vdd Level |
| 13 | Symmetry (Duty ratio) | TH/T | 40 | 50 | 60 | % | |
| 14 | Start-up Time | Tosc | - | - | 2 | ms | |
| 15 | Aging | - | -3 | | +3 | $\times 10^{-6}$ /yr. | First Year |
| 16 | Output Enable | | 0.7Vdd or floating | | | V | Pin 1 Tri-state |
| 17 | Output Disable | | | | 0.3Vdd | V | |
| 18 | Jitter RMS | | | | 1 | ps | 12KHz ~20MHz |

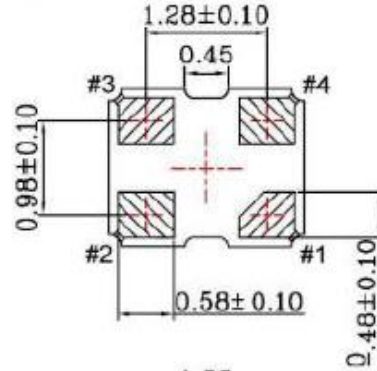


2、Mechanical Structure(mm)

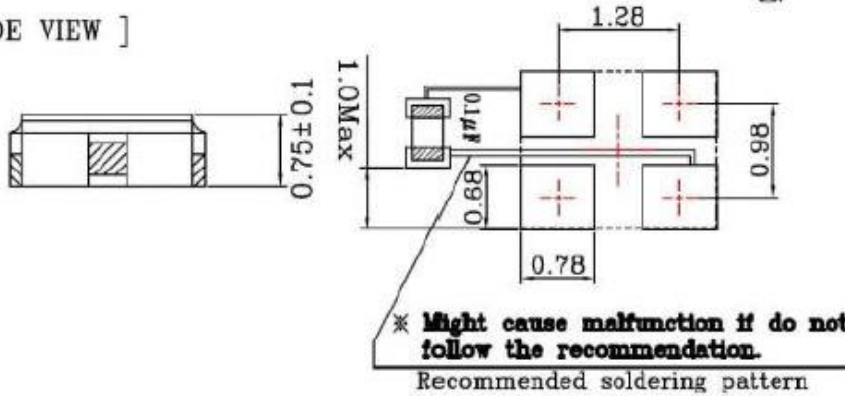
[TOP VIEW]



[BOTTOM VIEW]



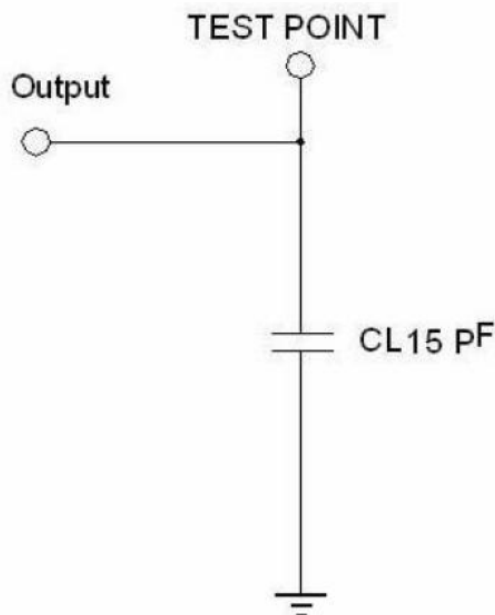
[SIDE VIEW]



| Pin | Function |
|-----|-----------|
| #1 | Tri-State |
| #2 | GND |
| #3 | Output |
| #4 | V_{DD} |

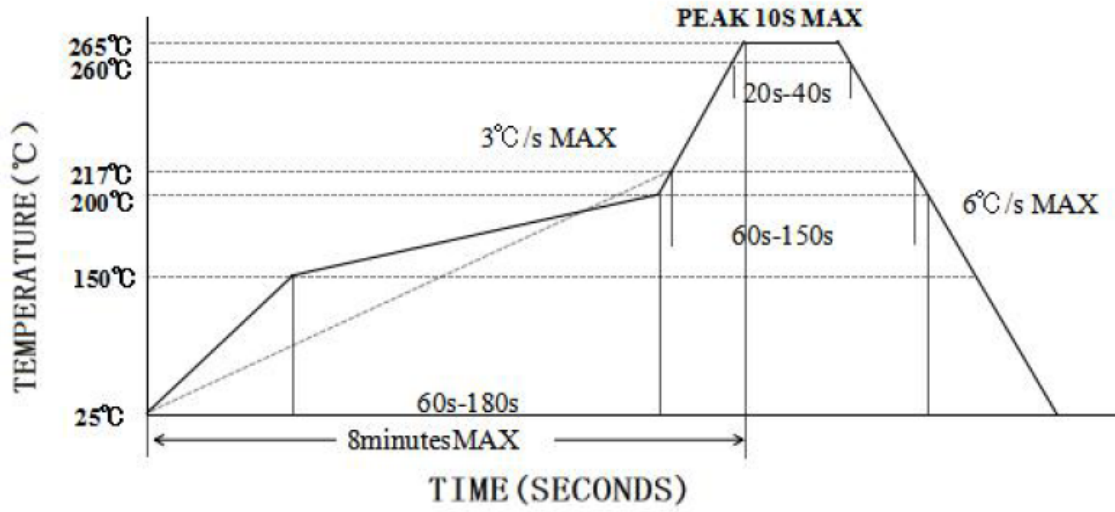
Note1: Tolerance ± 0.2 mm without mark

3、Test Circuit





4、 Reflow Soldering Curve (RoHS)



5、 Package: Tape & Reel (mm)

